

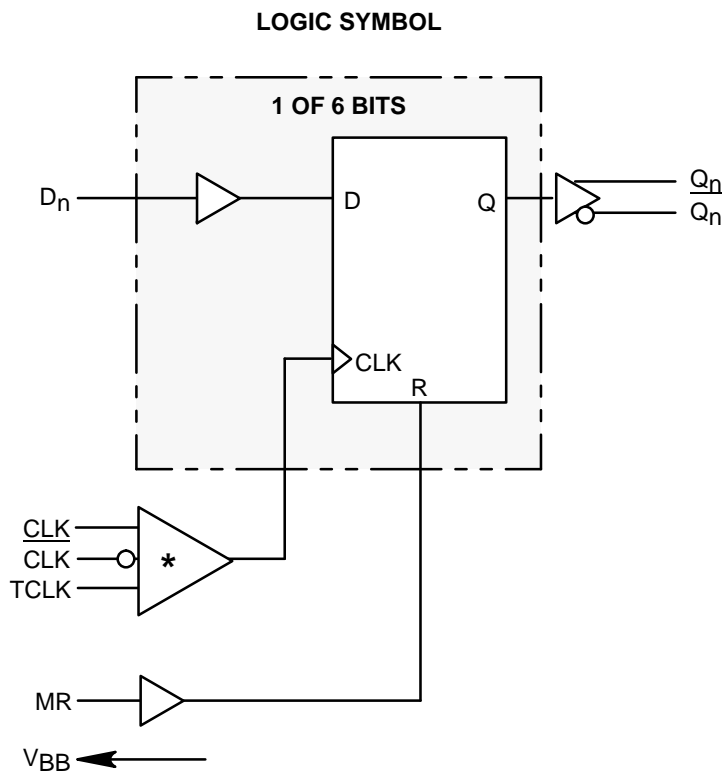
Registered Hex TTL/ECL Translator

The MC10H/100H604 is a 6-bit, registered, dual supply TTL to ECL translator. The device features differential ECL outputs as well as a choice between either a differential ECL clock input or a TTL clock input. The asynchronous master reset control is an ECL level input.

With its differential ECL outputs and TTL inputs the H604 device is ideally suited for the transmit function of a HPPI bus type board-to-board interface application. The on chip registers simplify the task of synchronizing the data between the two boards.

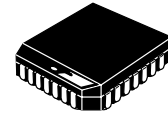
The device is available in either ECL standard: the 10H device is compatible with MECL 10KH logic levels while the 100H device is compatible with 100K logic levels.

- Differential 50Ω ECL Outputs
- Choice Between Differential ECL or TTL Clock Input
- Dual Power Supply
- Multiple Power and Ground Pins to Minimize Noise
- Specified Within-Device Skew



- * 1. When using MECL inputs, TCLK must be tied to ground (0V).
 2. When using only one MECL input, the unused MECL input must be tied to V_{BB}, and TCLK must be tied to ground (0V).
 3. When using TCLK, both MECL inputs must be tied to V_{EE} (-5.2V).

MC10H604 MC100H604



FN SUFFIX
PLASTIC PACKAGE
CASE 776-02

PIN NAMES

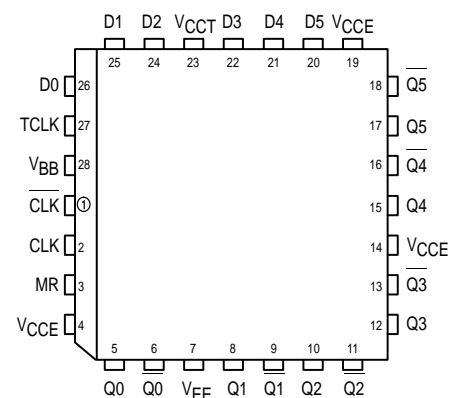
PIN	FUNCTION
D0-D5	TTL Data Inputs
CLK, CLK	Differential ECL Clock Input
TCLK	TTL Clock Input
MR	ECL Master Reset Input
Q0-Q5	True ECL Outputs
Q0-Q5	Inverted ECL Outputs
V _{CCE}	ECL V _{CC} (0V)
V _{CCT}	TTL V _{CC} (+5.0V)
V _{EE}	ECL V _{EE} (-5.2V)

TRUTH TABLE

D _n	MR	TCLK/CLK	Q _{n+1}
L	L	Z	L
H	L	Z	H
X	H	X	L

Z = LOW to HIGH Transition

Pinout: 28-Lead PLCC (Top View)



DC CHARACTERISTICS: $V_{EE} = V_{EE}(\text{Min})$ to $V_{EE}(\text{Max})$; $V_{CC} = \text{GND}$; $V_{CC} = 5.0\text{V} \pm 10\%$

Symbol	Parameter	0°C		25°C		85°C		Unit	Condition
		Min	Max	Min	Max	Min	Max		
I_{EE}	ECL Power Supply Current	10H	130		130		130	mA	
		100H	130		140		150		
I_{CCH} I_{CCL}	TTL Power Supply Current		35 45		35 45		35 45	mA	

10H ECL DC CHARACTERISTICS: $V_{CC} = +5.0\text{V} \pm 10\%$; $V_{EE} = -5.20\text{V} \pm 5\%$

Symbol	Parameter	0°C		25°C		85°C		Unit	Condition
		Min	Max	Min	Max	Min	Max		
I_{IH} I_{IL}	Input HIGH Current Input LOW Current		225		145		145	μA μA	
		0.5		0.5		0.5			
V_{IH} V_{IL}	Input HIGH Voltage Input LOW Voltage	-1170	-840	-1130	-810	-1060	-720	mV	
		-1950	-1480	-1950	-1480	-1950	-1480		
V_{BB}	Output Bias Voltage	-1400	-1290	-1370	-1270	-1330	-1210	mV	
V_{OH} V_{OL}	Output HIGH Voltage Output LOW Voltage	-1020 -1950	-840 -1630	-980 -1950	-810 -1630	-910 -1950	-720 -1595	mV	50 Ω to -2.0 V

100H ECL DC CHARACTERISTICS: $V_{CC} = 5.0\text{V} \pm 10\%$; $V_{EE} = -4.2\text{V}$ to -5.5V

Symbol	Parameter	0°C		25°C		85°C		Unit	Condition
		Min	Max	Min	Max	Min	Max		
I_{IH} I_{IL}	Input HIGH Current Input LOW Current		225		145		145	μA μA	
		0.5		0.5		0.5			
V_{IH} V_{IL}	Input HIGH Voltage Input LOW Voltage	-1165	-880	-1165	-880	-1165	-880	mV	
		-1810	-1475	-1810	-1475	-1810	-1475		
V_{BB}	Output Bias Voltage	-1400	-1280	-1400	-1280	-1400	-1280	mV	
V_{OH} V_{OL}	Output HIGH Voltage Output LOW Voltage	-1025 -1810	-880 -1620	-1025 -1810	-880 -1620	-1025 -1810	-880 -1620	mV	50 Ω to -2.0 V

TTL DC CHARACTERISTICS: $V_{CC} = 5.0\text{V} \pm 10\%$; $V_{EE} = -5.2\text{V} \pm 5\%$ (10H version); $V_{EE} = -4.2\text{V}$ to -5.5V (100H version)

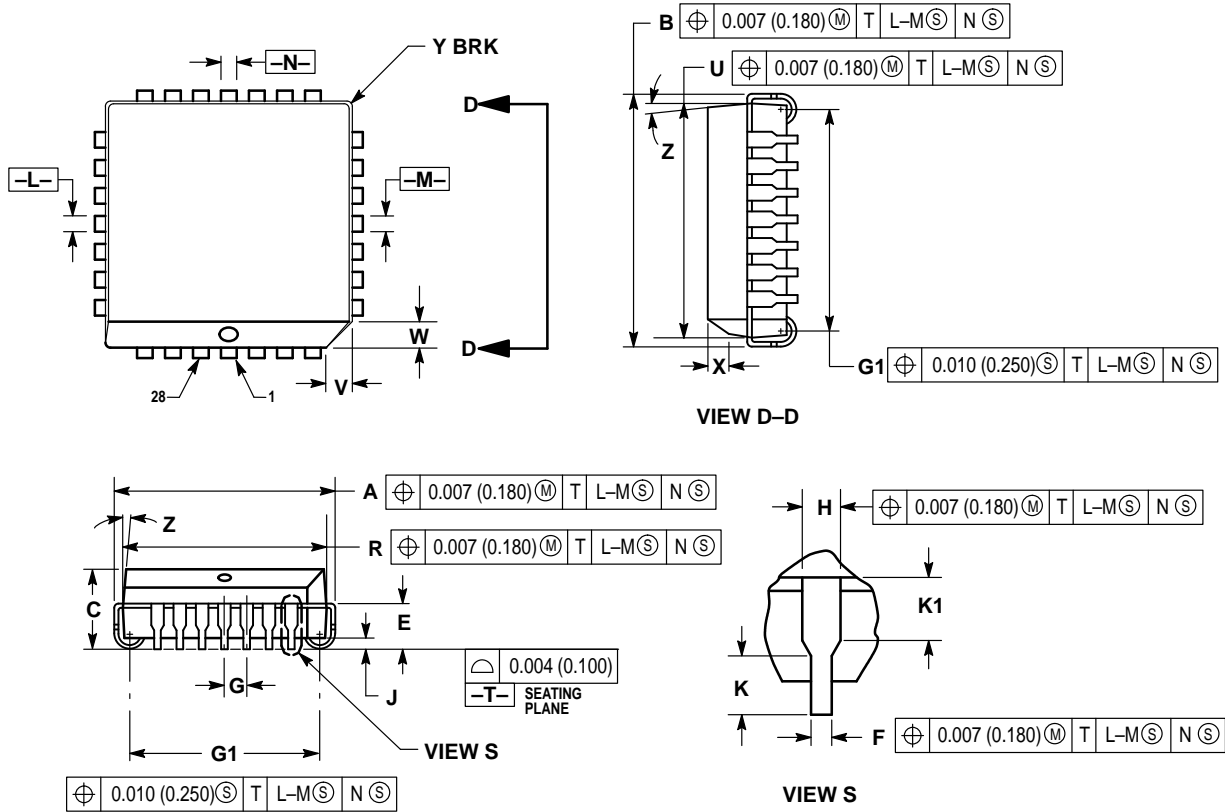
Symbol	Parameter	0°C		25°C		85°C		Unit	Condition
		Min	Max	Min	Max	Min	Max		
V_{IH} V_{IL}	Input HIGH Voltage Input LOW Voltage	2.0		2.0		2.0		V V	
			0.8		0.8		0.8		
I_{IH}	Input HIGH Current		20 100		20 100		20 100	μA	$V_{IN} = 2.7\text{V}$ $V_{IN} = 7.0\text{V}$
I_{IL}	Input LOW Current		-0.6		-0.6		-0.6		
V_{IK}	Input Clamp Voltage		-1.2		-1.2		-1.2	V	$I_{IN} = -18\text{mA}$

AC CHARACTERISTICS: $V_{CC} = 5.0\text{V} \pm 10\%$; $V_{EE} = -5.2\text{V} \pm 5\%$ (10H version); $V_{EE} = -4.2\text{V}$ to -5.5V (100H version)

Symbol	Parameter	0°C			25°C			85°C			Unit	Condition
		Min	Typ	Max	Min	Typ	Max	Min	Typ	Max		
t_{PLH} t_{PHL}	Propagation Delay CLK to Q to Output TCLK to Q MR to Q	1.5		3.5	1.5		3.5	1.5		3.5	ns	$C_L = 50\text{pF}$
		2.0		4.0	2.0		4.0	2.0		4.0		
		1.5		4.0	1.5		4.0	1.5		4.0		
t_s	Setup Time	1.5	0.5		1.5	0.5		1.5	0.5		ns	$C_L = 50\text{pF}$
t_H	Hold Time	1.5	0.5		1.5	0.5		1.5	0.5		ns	$C_L = 50\text{pF}$
t_{PW}	Minimum Pulse Width CLK, MR		1.0			1.0			1.0		ns	$C_L = 50\text{pF}$
V_{PP}	Minimum Input Swing					150					mV	
t_r t_f	Rise/Fall Times	0.3	1.0	2.0	0.3	1.0	2.0	0.3	1.0	2.0	ns	20% - 80%

OUTLINE DIMENSIONS


FN SUFFIX
 PLASTIC PLCC PACKAGE
 CASE 776-02
 ISSUE D



NOTES:

- DATUMS -L-, -M-, AND -N- DETERMINED WHERE TOP OF LEAD SHOULDER EXITS PLASTIC BODY AT MOLD PARTING LINE.
- DIMENSION G1, TRUE POSITION TO BE MEASURED AT DATUM -T-, SEATING PLANE.
- DIMENSIONS R AND U DO NOT INCLUDE MOLD FLASH. ALLOWABLE MOLD FLASH IS 0.010 (0.250) PER SIDE.
- DIMENSIONING AND TOLERANCING PER ANSI Y14.5M, 1982.
- CONTROLLING DIMENSION: INCH.
- THE PACKAGE TOP MAY BE SMALLER THAN THE PACKAGE BOTTOM BY UP TO 0.012 (0.300). DIMENSIONS R AND U ARE DETERMINED AT THE OUTERMOST EXTREMES OF THE PLASTIC BODY EXCLUSIVE OF MOLD FLASH, TIE BAR BURRS, GATE BURRS AND INTERLEAD FLASH, BUT INCLUDING ANY MISMATCH BETWEEN THE TOP AND BOTTOM OF THE PLASTIC BODY.
- DIMENSION H DOES NOT INCLUDE DAMBAR PROTRUSION OR INTRUSION. THE DAMBAR PROTRUSION(S) SHALL NOT CAUSE THE H DIMENSION TO BE GREATER THAN 0.037 (0.940). THE DAMBAR INTRUSION(S) SHALL NOT CAUSE THE H DIMENSION TO BE SMALLER THAN 0.025 (0.635).

DIM	INCHES		MILLIMETERS	
	MIN	MAX	MIN	MAX
A	0.485	0.495	12.32	12.57
B	0.485	0.495	12.32	12.57
C	0.165	0.180	4.20	4.57
E	0.090	0.110	2.29	2.79
F	0.013	0.019	0.33	0.48
G	0.050 BSC		1.27 BSC	
H	0.026	0.032	0.66	0.81
J	0.020	—	0.51	—
K	0.025	—	0.64	—
R	0.450	0.456	11.43	11.58
U	0.450	0.456	11.43	11.58
V	0.042	0.048	1.07	1.21
W	0.042	0.048	1.07	1.21
X	0.042	0.056	1.07	1.42
Y	—	0.020	—	0.50
Z	2°		10°	
G1	0.410	0.430	10.42	10.92
K1	0.040	—	1.02	—

Motorola reserves the right to make changes without further notice to any products herein. Motorola makes no warranty, representation or guarantee regarding the suitability of its products for any particular purpose, nor does Motorola assume any liability arising out of the application or use of any product or circuit, and specifically disclaims any and all liability, including without limitation consequential or incidental damages. "Typical" parameters which may be provided in Motorola data sheets and/or specifications can and do vary in different applications and actual performance may vary over time. All operating parameters, including "Typicals" must be validated for each customer application by customer's technical experts. Motorola does not convey any license under its patent rights nor the rights of others. Motorola products are not designed, intended, or authorized for use as components in systems intended for surgical implant into the body, or other applications intended to support or sustain life, or for any other application in which the failure of the Motorola product could create a situation where personal injury or death may occur. Should Buyer purchase or use Motorola products for any such unintended or unauthorized application, Buyer shall indemnify and hold Motorola and its officers, employees, subsidiaries, affiliates, and distributors harmless against all claims, costs, damages, and expenses, and reasonable attorney fees arising out of, directly or indirectly, any claim of personal injury or death associated with such unintended or unauthorized use, even if such claim alleges that Motorola was negligent regarding the design or manufacture of the part. Motorola and  are registered trademarks of Motorola, Inc. Motorola, Inc. is an Equal Opportunity/Affirmative Action Employer.

How to reach us:

USA/EUROPE/Locations Not Listed: Motorola Literature Distribution;
P.O. Box 5405, Denver, Colorado 80217. 1-800-441-2447

Mfax™: RMFAX0@email.sps.mot.com – TOUCHTONE 602-244-6609
INTERNET: <http://Design-NET.com>

JAPAN: Nippon Motorola Ltd.; Tatsumi-SPD-JLDC, 6F Seibu-Butsuryu-Center,
3-14-2 Tatsumi Koto-Ku, Tokyo 135, Japan. 03-81-3521-8315

ASIA/PACIFIC: Motorola Semiconductors H.K. Ltd.; 8B Tai Ping Industrial Park,
51 Ting Kok Road, Tai Po, N.T., Hong Kong. 852-26629298



Copyright © Each Manufacturing Company.

All Datasheets cannot be modified without permission.

This datasheet has been download from :

www.AllDataSheet.com

100% Free DataSheet Search Site.

Free Download.

No Register.

Fast Search System.

www.AllDataSheet.com