

TOSHIBA SCHOTTKY BARRIER RECTIFIER STACK SCHOTTKY BARRIER TYPE

# 10GWJ2CZ47C

SWITCHING TYPE POWER SUPPLY APPLICATION  
CONVERTER & CHOPPER APPLICATION

- Repetitive Peak Reverse Voltage :  $V_{RRM}=40V$
- Average Output Rectified Current :  $I_O=10A$
- Low Switching Losses and Output Noise.

MAXIMUM RATINGS

CHARACTERISTIC	SYMBOL	RATING	UNIT
Repetitive Peak Reverse Voltage	$V_{RRM}$	40	V
Repetitive Peak Reverse Surge Voltage (Note 1)	$V_{RRSM}$	48	V
Average Output Rectified Current	$I_O$	10	A
Peak One Cycle Surge Forward Current (Sine Wave)	$I_{FSM}$	100 (50Hz) 110 (60Hz)	A
Junction Temperature	$T_j$	-40~125	°C
Storage Temperature Range	$T_{stg}$	-40~150	°C
Screw Torque	—	0.6	N·m

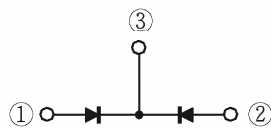
(Note 1) Pulse Width ( $t_w$ ) ≤ 500ns, duty ( $t_w/T$ ) ≤ 1/25

ELECTRICAL CHARACTERISTICS (Ta = 25°C)

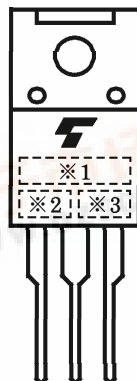
CHARACTERISTIC	SYMBOL	TEST CONDITION	MIN.	TYP.	MAX.	UNIT
Peak Forward Voltage (Note 2)	$V_{FM}$	$I_{FM}=5A$	—	—	0.55	V
Repetitive Peak Reverse Current (Note 2)	$I_{RRM}$	$V_{RRM}=\text{Rated}$	—	—	3.5	mA
Junction Capacitance (Note 2)	$C_j$	$V_R=10V, f=1.0MHz$	—	195	—	pF
Thermal Resistance	$R_{th(j-c)}$	DC Total, Junction to Case	—	—	3.0	°C/W

(Note 2) A value of one cell.

POLARITY

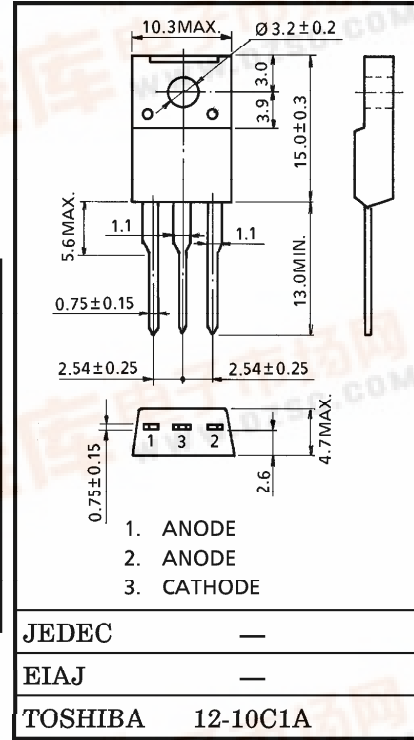


MARKING



※1	MARK	10GWJ2CZ	TYPE	10GWJ2CZ47C
※2		C		
※3		Lot Number □ □ — Month (Starting from Alphabet A) — Year (Last Number of the Christian Era)		

Unit in mm



JEDEC	—
EIAJ	—
TOSHIBA	12-10C1A

Weight : 2.0g

