

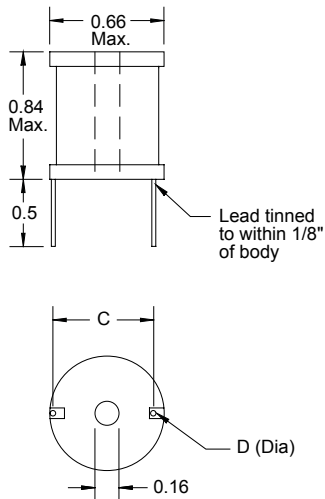
High Current Chokes

Special Features

- Very high current capacity
- Low DCR
- Epoxy coated ferrite bobbin core
- VW-1 rated shrink tubing to cover winding
- Self-leaded
- Fixed lead spacing
- Center hole for mechanical mounting
- Dielectric withstanding voltage:
2500 Vrms terminal to shrink tube cover;
1000 Vrms terminal to core
- Operating temperature -55 to +105 °C

Notes

- * Rated current to cause 50 °C max. temperature rise and 5 % max. inductance drop



Dimensions: Inches

1110 Series					
Part Number	L (μH) ±20 % @ 1 KHz	DCR Ω Max.	I, dc* (A)	Dim. C Approx.	Dim. D Nom.
1110-1R0M-RC	1.0	0.003	9	0.55	0.051
1110-1R2M-RC	1.2	0.003	9	0.55	0.051
1110-1R5M-RC	1.5	0.004	9	0.55	0.051
1110-1R8M-RC	1.8	0.004	9	0.55	0.051
1110-2R2M-RC	2.2	0.005	9	0.55	0.051
1110-2R7M-RC	2.7	0.005	9	0.55	0.051
1110-3R3M-RC	3.3	0.005	9	0.55	0.051
1110-3R9M-RC	3.9	0.006	9	0.55	0.051
1110-4R7M-RC	4.7	0.007	9	0.55	0.051
1110-5R6M-RC	5.6	0.007	9	0.55	0.051
1110-6R8M-RC	6.8	0.008	9	0.55	0.051
1110-8R2M-RC	8.2	0.009	9	0.55	0.051
	± 10 %				
1110-100K-RC	10	0.010	9	0.55	0.051
1110-120K-RC	12	0.011	9	0.55	0.051
1110-150K-RC	15	0.015	7.2	0.53	0.045
1110-180K-RC	18	0.016	7.2	0.53	0.045
1110-220K-RC	22	0.020	5.5	0.53	0.045
1110-270K-RC	27	0.030	4.5	0.53	0.040
1110-330K-RC	33	0.040	4	0.53	0.040
1110-390K-RC	39	0.046	4	0.53	0.040
1110-470K-RC	47	0.062	2.8	0.53	0.036
1110-560K-RC	56	0.069	2.8	0.53	0.036
1110-680K-RC	68	0.077	2.8	0.50	0.032
1110-820K-RC	82	0.083	2.8	0.50	0.032
1110-101K-RC	100	0.095	2.8	0.50	0.032
1110-121K-RC	120	0.127	2	0.50	0.029
1110-151K-RC	150	0.181	1.6	0.50	0.029
1110-181K-RC	180	0.217	1.6	0.50	0.025
1110-221K-RC	220	0.240	1.6	0.50	0.025
1110-271K-RC	270	0.300	1.6	0.47	0.020
1110-331K-RC	330	0.336	1.3	0.47	0.020
1110-391K-RC	390	0.460	1	0.47	0.020
1110-471K-RC	470	0.636	0.8	0.47	0.020
1110-561K-RC	560	0.696	0.8	0.47	0.020

Available only as RoHS compliant beginning July 2007.

When ordering non-RoHS compliant versions before July 2007, do not include the -RC suffix in the part number.

BOURNS®

Tel. (877) 426-8767 • Fax (951) 781-5006

www.bourns.com