

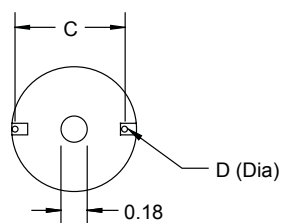
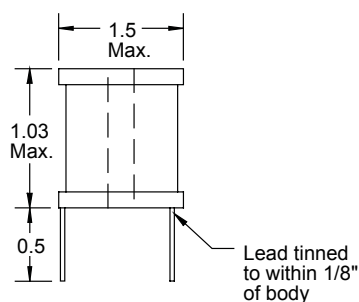
# High Current Chokes

## Special Features

- Very high current capacity
- Low DCR
- Epoxy coated ferrite bobbin core
- VW-1 rated shrink tubing to cover winding
- Self-leaded
- Fixed lead spacing
- Center hole for mechanical mounting
- Dielectric withstanding voltage:  
2500 Vrms terminal to shrink tube cover;  
1000 Vrms terminal to core
- Operating temperature -55 to +105 °C

## Notes

- \* Rated current to cause 50 °C max. temperature rise and 5 % max. inductance drop



Dimensions: Inches

Part Number	1140 Series			Dim. C	Dim. D
	L (μH) ±20 % @ 1 KHz	DCR Ω Max.	I <sub>dc</sub> * (A)	Approx.	Nom.
1140-1R8M-RC	1.8	0.002	27	1.11	0.081
1140-2R2M-RC	2.2	0.002	27	1.11	0.081
1140-2R7M-RC	2.7	0.003	27	1.11	0.081
1140-3R3M-RC	3.3	0.003	27	1.11	0.081
1140-3R9M-RC	3.9	0.003	27	1.11	0.081
1140-4R7M-RC	4.7	0.003	27	1.11	0.081
1140-5R6M-RC	5.6	0.004	27	1.11	0.081
1140-6R8M-RC	6.8	0.004	27	1.15	0.081
1140-8R2M-RC	8.2	0.004	27	1.15	0.081
	± 10 %				
1140-100K-RC	10	0.005	27	1.15	0.081
1140-120K-RC	12	0.005	27	1.15	0.081
1140-150K-RC	15	0.006	27	1.15	0.081
1140-180K-RC	18	0.008	27	1.15	0.081
1140-220K-RC	22	0.009	21	1.15	0.081
1140-270K-RC	27	0.010	21	1.15	0.081
1140-330K-RC	33	0.011	21	1.15	0.072
1140-390K-RC	39	0.012	21	1.15	0.072
1140-470K-RC	47	0.018	14.4	1.15	0.072
1140-560K-RC	56	0.019	14.4	1.15	0.064
1140-680K-RC	68	0.021	14.4	1.15	0.064
1140-820K-RC	82	0.023	14.4	1.15	0.064
1140-101K-RC	100	0.025	14.4	1.15	0.064
1140-121K-RC	120	0.028	14.4	1.15	0.057
1140-151K-RC	150	0.040	11.4	1.15	0.057
1140-181K-RC	180	0.045	11.4	1.15	0.057
1140-221K-RC	220	0.050	11.4	1.15	0.051
1140-271K-RC	270	0.056	11.4	1.15	0.051
1140-331K-RC	330	0.074	11.4	1.15	0.051
1140-391K-RC	390	0.082	9	1.15	0.045
1140-471K-RC	470	0.114	7.2	1.15	0.045
1140-561K-RC	560	0.125	7.2	1.15	0.040
1140-681K-RC	680	0.139	7.2	1.15	0.040
1140-821K-RC	820	0.154	7.2	1.15	0.040
1140-102K-RC	1000	0.216	5.5	1.15	0.040
1140-122K-RC	1200	0.232	5.5	1.14	0.036
1140-152K-RC	1500	0.324	4.5	1.14	0.036
1140-182K-RC	1800	0.360	4.5	1.14	0.036
1140-222K-RC	2200	0.494	4	1.10	0.032
1140-272K-RC	2700	0.555	4	1.12	0.032
1140-332K-RC	3300	0.773	2.8	1.10	0.029
1140-392K-RC	3900	0.845	2.8	1.10	0.029
1140-472K-RC	4700	1.14	2	1.12	0.029
1140-562K-RC	5600	1.60	2	1.09	0.025
1140-682K-RC	6800	1.76	1.6	1.12	0.025
1140-822K-RC	8200	1.95	1.6	1.09	0.023
1140-103K-RC	10,000	2.76	1.3	1.11	0.023
1140-123K-RC	12,000	3.04	1.3	1.08	0.020
1140-153K-RC	15,000	3.39	1.3	1.10	0.020

Available only as RoHS compliant beginning July 2007.

When ordering non-RoHS compliant versions before July 2007, do not include the -RC suffix in the part number.

**BOURNS®**

Tel. (877) 426-8767 • Fax (951) 781-5006

www.bourns.com