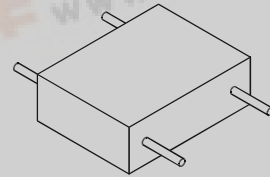


**200 V - 1,000 V Single Phase Bridge**  
**3.0 A Forward Current**  
**70 ns - 3000 ns Recovery Time**

**1202A - 1210A**  
**1202FA - 1210FA**  
**1202UFA - 1210UFA**

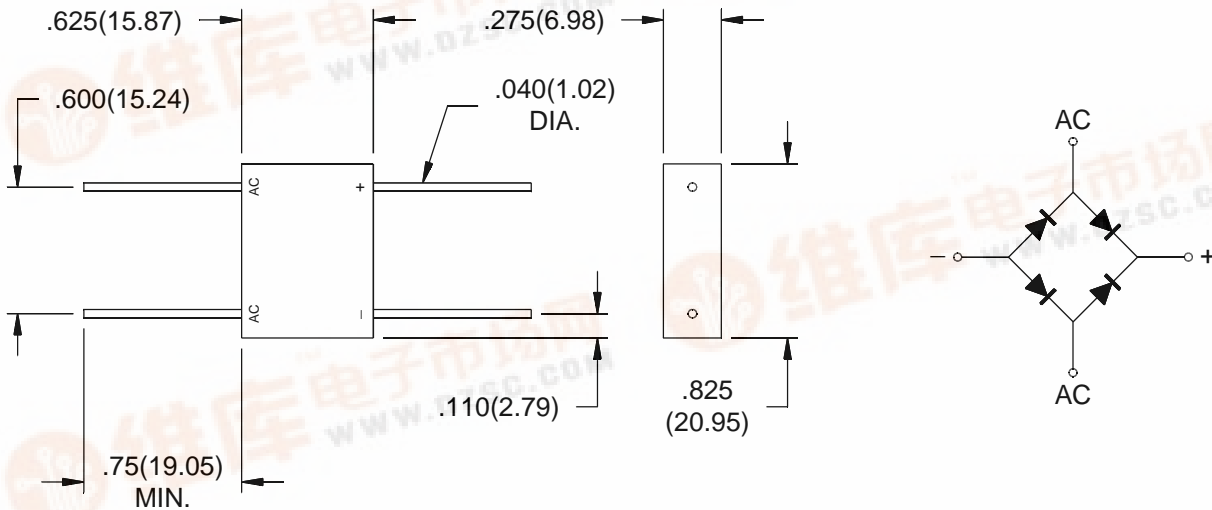


**ELECTRICAL CHARACTERISTICS AND MAXIMUM RATINGS**

Part Number	Working Reverse Voltage (V <sub>rwm</sub> )	Average Rectified Current @TC (I <sub>o</sub> )		Reverse Current @ V <sub>rwm</sub> (I <sub>r</sub> )		Forward Voltage (V <sub>f</sub> )		1 Cycle Surge Current (I <sub>fsm</sub> )	Repetitive Surge Current (I <sub>frm</sub> )	Reverse Recovery Time (1) (T <sub>rr</sub> )	Thermal Impd. θ <sub>J-C</sub>
		55°C	100°C	25°C	100°C	25°C	25°C	25°C	25°C	25°C	°C/W
		Amps	Amps	µA	µA	Volts	Amps	Amps	Amps	ns	
1202A	200	3.0	1.8	1.0	25	1.1	3.0	150	25	3000	21
1206A	600	3.0	1.8	1.0	25	1.1	3.0	150	25	3000	21
1210A	1000	3.0	1.8	1.0	25	1.1	3.0	150	25	3000	21
1202FA	200	3.0	1.8	1.0	25	1.5	3.0	100	20	150	21
1206FA	600	3.0	1.8	1.0	25	1.5	3.0	100	20	150	21
1210FA	1000	3.0	1.8	1.0	25	1.5	3.0	100	20	150	21
1202UFA	200	3.0	1.8	1.0	25	1.7	3.0	100	20	70	21
1206UFA	600	3.0	1.8	1.0	25	1.7	3.0	100	20	70	21
1210UFA	1000	3.0	1.8	1.0	25	1.7	3.0	100	20	70	21

(1)T<sub>rr</sub> Testing: I<sub>f</sub>=0.5A, I<sub>r</sub>=1.0A, I<sub>rr</sub>=0.25A \*Op. Temp.= -55°C to +150°C Stg. Temp.= -55°C to +150°C

10



Dimensions: In. (mm) • All temperatures are ambient unless otherwise noted. • Data subject to change without notice.



**VOLTAGE MULTIPLIERS INC.**  
 8711 W. Roosevelt Ave.  
 Visalia, CA 93291

TEL 559-651-1402  
 FAX 559-651-0740  
 www.voltagemultipliers.com

# 1202A - 1210A • 1202FA - 1210FA • 1202UFA - 1210UFA

