



# BAS70WS

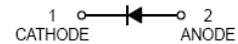
Schottky barrier diodes

## FEATURES

- Low turn-on voltage.
- Fast switching.
- PN junction guard for transient and ESD protection.



Lead-free



## APPLICATIONS

- Surface mount fast switching diode



SOD-323

## ORDERING INFORMATION

Type No.	Marking	Package Code
BAS70WS	K73	SOD-323

## MAXIMUM RATING @ Ta=25°C unless otherwise specified

Characteristic	Symbol	Value	Unit
Peak repetitive peak reverse voltage	$V_{RRM}$	70	V
Working peak reverse voltage	$V_{RWM}$		
DC Reverse Voltage	$V_R$		
RMS reverse voltage	$V_{R(RMS)}$	49	V
Forward Continuous Current	$I_F$	70	mA
Peak forward surge current@<1.0s	$I_{FSM}$	100	mA
Power Dissipation	$P_d$	200	mW
Thermal Resistance Junction to Ambient	$R_{\theta JA}$	625	°C/W
Junction and Storage Temperature Range	$T_j, T_{STG}$	-65 to+150	°C

## ELECTRICAL CHARACTERISTICS @ Ta=25°C unless otherwise specified

Characteristic	Symbol	Min	Max	Unit	Test Condition
Reverse Breakdown Voltage	$V_{(BR)R}$	70	-	V	$I_R=10\mu A$
Forward Voltage	$V_F$	-	410 1000	mV	$I_F=1.0mA$ $I_F=15mA$
Reverse Current	$I_R$	-	100	nA	$V_R=50V$
Capacitance between terminals	$C_T$	-	2	pF	$V_R=0, f=1.0MHz$
Reverse Recovery Time	$t_{rr}$	-	5	ns	$I_F=I_R=10mA,$ $R_L=100\Omega$

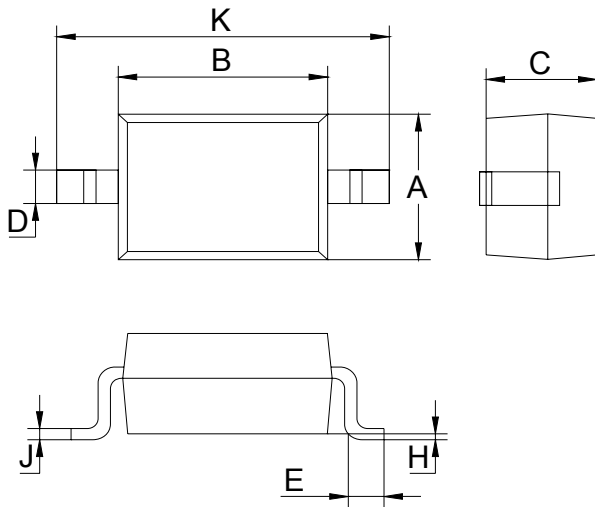
MDD ELECTRONIC

# Schottky barrier diodes **BAS70WS**

## PACKAGE OUTLINE

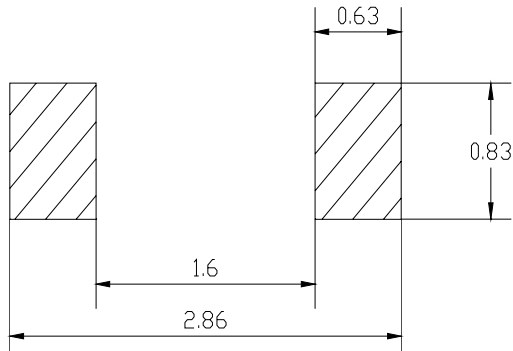
Plastic surface mounted package

SOD-323



SOD-323		
Dim	Min	Max
A	1.275	1.325
B	1.675	1.725
C	0.9 Typical	
D	0.25	0.35
E	0.27	0.37
H	0.02	0.1
J	0.1 Typical	
K	2.6	2.7
All Dimensions in mm		

## SOLDERING FOOTPRINT



Unit : mm

## PACKAGE INFORMATION

Device	Package	Shipping
BAS70WS	SOD-323	3000/Tape&Reel

**MDD ELECTRONIC**