

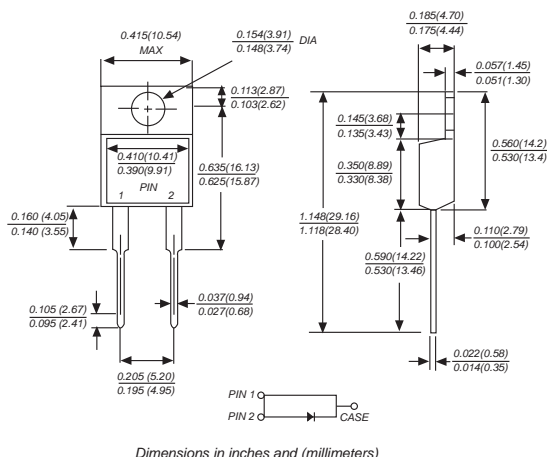


# SR2020 THRU SR20A0

## SCHOTTKY BARRIER RECTIFIER

Reverse Voltage - 20 to 100 Volts Forward Current - 20.0 Amperes

### TO-220AC



### FEATURES

- ◆ The plastic package carries Underwriters Laboratory Flammability Classification 94V-0
- ◆ Construction utilizes void-free molded plastic technique
- ◆ Low reverse leakage
- ◆ High forward surge current capability
- ◆ High temperature soldering guaranteed: 250°C, 0.25" (6.35mm) from case for 10 seconds

### MECHANICAL DATA

**Case:** TO-220AC molded plastic body  
**Terminals:** Leads solderable per MIL-STD-750, Method 2026  
**Polarity:** As marked  
**Mounting Position:** Any  
**Weight:** 0.064 ounce, 1.81 grams

### MAXIMUM RATINGS AND ELECTRICAL CHARACTERISTICS

Ratings at 25°C ambient temperature unless otherwise specified.  
 Single phase half-wave 60Hz, resistive or inductive load, for capacitive load current derate by 20%.

MDD Catalog Number	SYMBOLS	SR 2020	SR 2030	SR 2040	SR 2045	SR 2050	SR 2060	SR 2070	SR 2080	SR 2090	SR 20A0	UNITS
Maximum repetitive peak reverse voltage	$V_{RRM}$	20	30	40	45	50	60	70	80	90	100	VOLTS
Maximum RMS voltage	$V_{RMS}$	14	21	28	32	35	42	49	56	63	70	VOLTS
Maximum DC blocking voltage	$V_{DC}$	20	30	40	45	50	60	70	80	90	100	VOLTS
Maximum average forward rectified current at $T_c$ (see fig.1)	$I_{AV}$	20.0										Amps
Peak forward surge current 8.3ms single half sine-wave superimposed on rated load (JEDEC Method)	$I_{FSM}$	150.0										Amps
Maximum instantaneous forward voltage at 10.0A	$V_F$	0.55			0.75		0.85					Volts
Maximum DC reverse current at rated DC blocking voltage $T_A=25^\circ\text{C}$ $T_A=100^\circ\text{C}$	$I_R$	1.0					50.0					mA
Typical junction capacitance (NOTE 1)	$C_J$	550					450					pF
Typical thermal resistance (NOTE 2)	$R_{\theta JC}$	2.0										$^\circ\text{C}/\text{W}$
Operating junction temperature range	$T_J$	-65 to +125					-65 to +150					$^\circ\text{C}$
Storage temperature range	$T_{STG}$	-65 to +150										$^\circ\text{C}$

**Note:** 1. Measured at 1MHz and applied reverse voltage of 4.0V D.C.

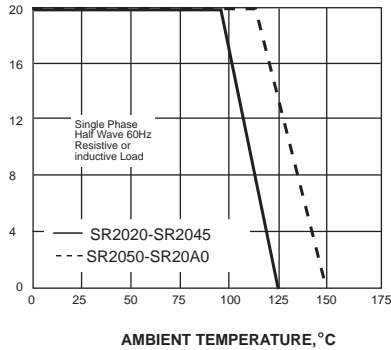
2. Thermal resistance from junction to case

MDD ELECTRONIC

# RATINGS AND CHARACTERISTIC CURVES SR2020 THRU SR20A0

AVERAGE FORWARD RECTIFIED CURRENT,  
AMPERES

FIG. 1- FORWARD CURRENT DERATING CURVE



PEAK FORWARD SURGE CURRENT,  
AMPERES

FIG. 2-MAXIMUM NON-REPETITIVE PEAK FORWARD SURGE CURRENT

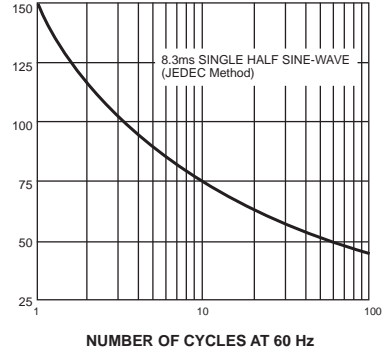
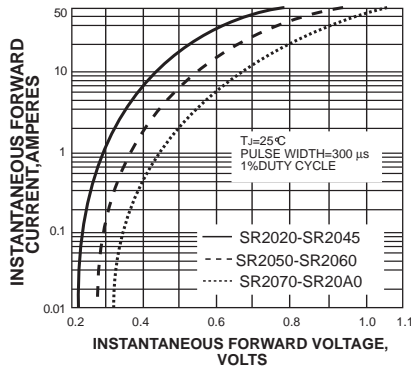


FIG. 3-TYPICAL INSTANTANEOUS FORWARD CHARACTERISTICS



INSTANTANEOUS REVERSE CURRENT,  
MILLIAMPERES

FIG. 4-TYPICAL REVERSE CHARACTERISTICS

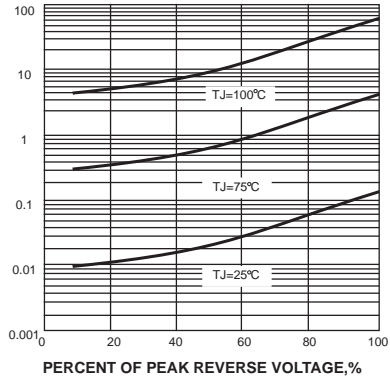
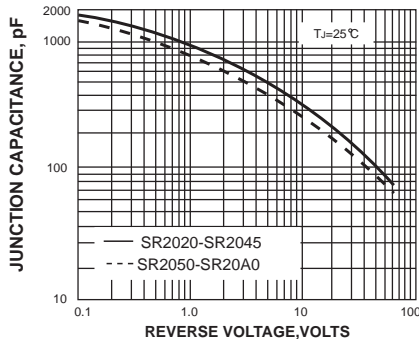


FIG. 5-TYPICAL JUNCTION CAPACITANCE



TRANSIENT THERMAL IMPEDANCE,  
°C/W

FIG. 6-TYPICAL TRANSIENT THERMAL IMPEDANCE

