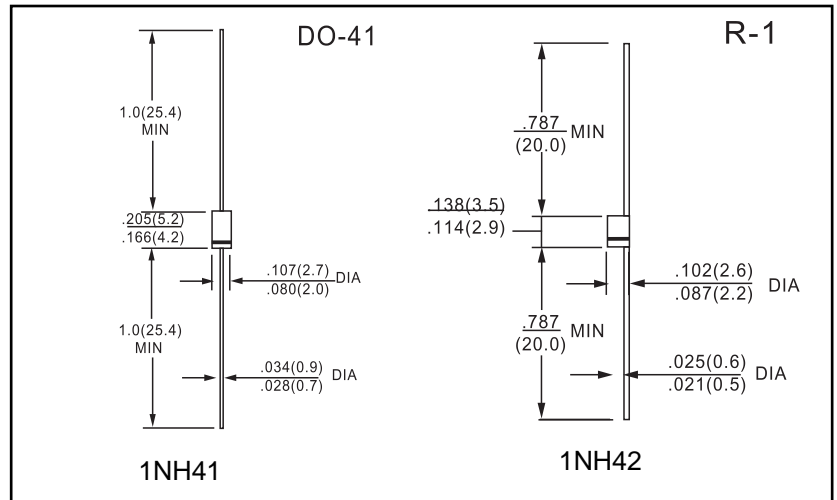




**FEATURES**

- Repetitive Peak Reverse Voltage
- Average Forward Current
- Reverse Recovery Time



**MAXIMUM RATINGS AND ELECTRICAL CHARACTERISTICS**

MAXIMUM RATINGS

CHARACTERISTIC	SYMBOL	RATING	UNIT
Repetitive Peak Reverse Voltage	$V_{RRM}$	1000	V
Average Forward Current	$I_{F(AV)}$	1.0	A
Peak One Cycle Surge Forward Current(Non-Repetitive)	$I_{FSM}$	30(50Hz)	A
		33(60Hz)	
Junction Temperature	$T_j$	-40~150	°C
Storage Temperature Range	$T_{stg}$	-40~150	°C

ELECTRICAL CHARACTERISTICS

CHARACTERISTIC	SYMBOL	TEST CONDITION	MIN	TYPE	MAX		UNIT
					1NH41	1NH42	
Peak Forward Voltage	$V_{FM}$	$V_{FM} = 1.0A$	—	—	1.3	1.3	V
Repetitive Peak Reverse Current	$I_{RRM}$	$V_{RRM} = 1000V$	—	—	10	10	uA
Reverse Recovery Time	$t_{rr}$	$I_F = 1A, di/dt = -30A/us$	—	—	400	400	ns
Forward Recovery Time	$t_{fr}$	$I_F = 1A$	—	—	1000	850	ns
Thermal Resistance	$R_{th(j-a)}$	Junction to Ambient	—	—	75	98	°C/W



**RATINGS AND CHARACTERISTIC CURVES 1NH41 THRU 1NH42**

