

**Low Capacitance TVS Diode Array
For High-Speed Data Interfaces**

APPLICATIONS

- ◆ High-Speed Data Lines
- ◆ Microprocessor Based Equipment
- ◆ Test & Measurement Equipment
- ◆ Notebooks, Desktops, and Servers
- ◆ Instrumentation
- ◆ Audio/Video Inputs
- ◆ LAN/WAN Equipment
- ◆ Peripherals

IEC COMPATIBILITY

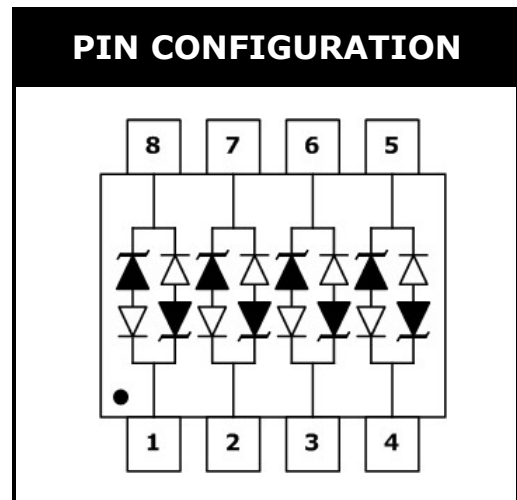
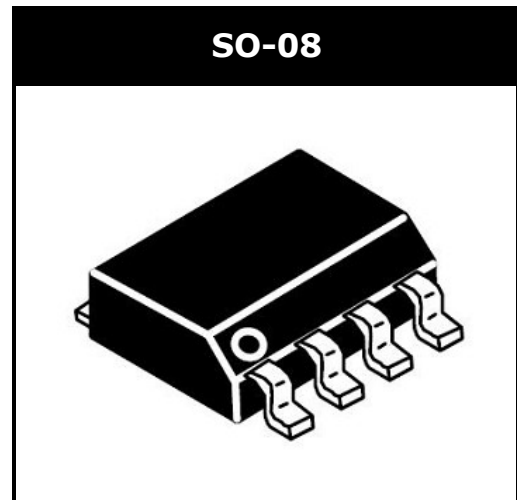
- ◆ IEC61000-4-2 (ESD) $\pm 15\text{kV}$ (air), $\pm 8\text{kV}$ (contact)
- ◆ IEC61000-4-4 (EFT) 40A (5/50 η s)
- ◆ IEC61000-4-5 (Lightning) 24A (8/20 μ s)

FEATURES

- ◆ 500 Watts Peak Pulse Power per Line ($t_p=8/20\mu$ s)
- ◆ Protects four I/O lines
- ◆ Low capacitance for high-speed data lines
- ◆ RoHS Compliant

MECHANICAL CHARACTERISTICS

- ◆ JEDEC SO-8 Package
- ◆ Molding Compound Flammability Rating : UL 94V-0
- ◆ Weight 70 Milligrams (Approximate)
- ◆ Quantity Per Reel : 500pcs
- ◆ Reel Size : 7 inch
- ◆ Lead Finish : Lead Free



DEVICE CHARACTERISTICS

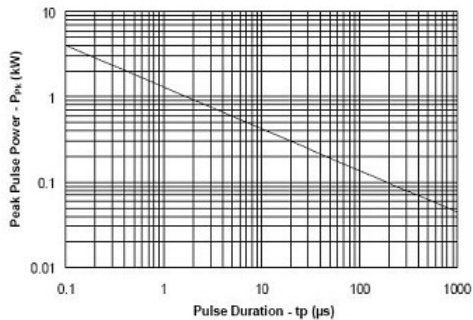
MAXIMUM RATINGS (@ 25°C Unless Otherwise Specified)

| PARAMETER | SYMBOL | VALUE | UNITS |
|---------------------------------------|------------------|---------------|-------|
| Peak Pulse Power (tp=8/20µs waveform) | P _{PP} | 500 | Watts |
| Lead Soldering Temperature | T _L | 260 (10 sec.) | °C |
| Operating Temperature Range | T _J | -55 ~ 150 | °C |
| Storage Temperature Range | T _{STG} | -55 ~ 150 | °C |

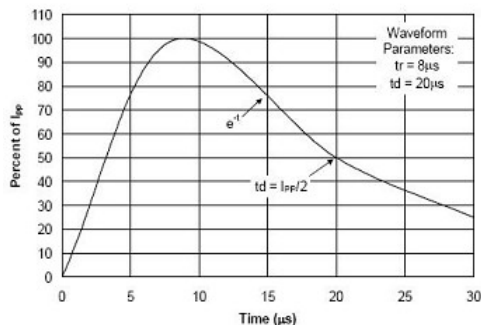
ELECTRICAL CHARACTERISTICS PER LINE (@ 25°C Unless Otherwise Specified)

| PART NUMBER | DEVICE MARKING | V _{RWM} | V _B | I _T | V _C | V _C | | I _R | C _T |
|-------------|----------------|------------------|----------------|----------------|----------------|----------------|------|----------------|----------------|
| | | (V) (max.) | (V) (min.) | (mA) | @1A (max.) | (max.) | (@A) | (µA) (max.) | (pF) (max.) |
| LCDA05C-4 | LCDA 05C-4 | 5 | 6 | 1 | 9.8 | 13.5 | 42 | 20 | 5 |
| LCDA12C-4 | LCDA 12C-4 | 12 | 13.3 | 1 | 19 | 25.9 | 27 | 1 | 5 |
| LCDA15C-4 | LCDA 15C-4 | 15 | 16.7 | 1 | 24 | 30 | 17 | 1 | 5 |
| LCDA24C-4 | LCDA 24C-4 | 24 | 26.7 | 1 | 43 | 49 | 12 | 1 | 5 |

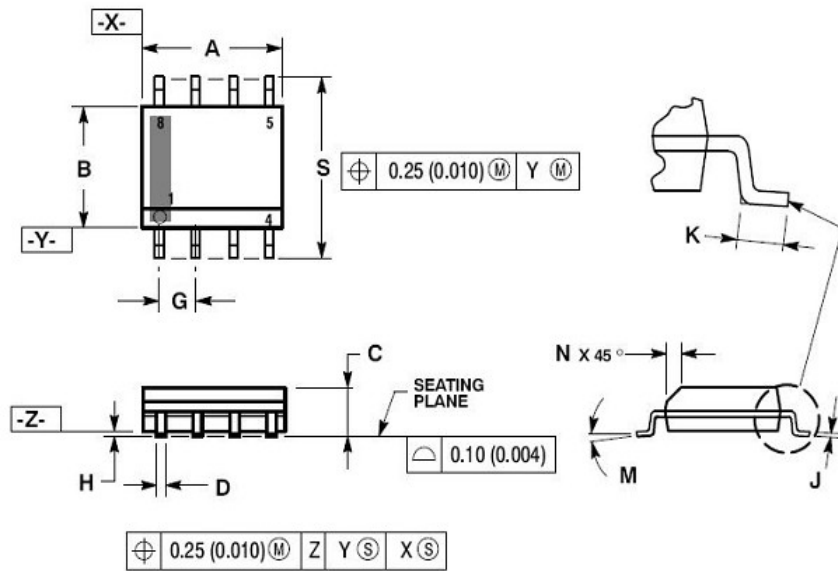
Non-Repetitive Peak Pulse Power vs. Pulse Time



Pulse Waveform

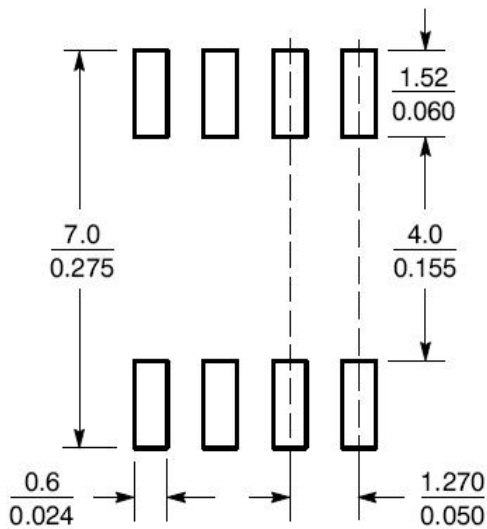


SOP-08 PACKAGE OUTLINE & DIMENSIONS



| DIM | MILLIMETERS | | INCHES | |
|-----|-------------|------|-----------|-------|
| | MIN | MAX | MIN | MAX |
| A | 4.80 | 5.00 | 0.189 | 0.197 |
| B | 3.80 | 4.00 | 0.150 | 0.157 |
| C | 1.35 | 1.75 | 0.053 | 0.069 |
| D | 0.33 | 0.51 | 0.013 | 0.020 |
| G | 1.27 BSC | | 0.050 BSC | |
| H | 0.10 | 0.25 | 0.004 | 0.010 |
| J | 0.19 | 0.25 | 0.007 | 0.010 |
| K | 0.40 | 1.27 | 0.016 | 0.050 |
| M | 0° - 8° | | 0° - 8° | |
| N | 0.25 | 0.50 | 0.010 | 0.020 |
| S | 5.80 | 6.20 | 0.228 | 0.244 |

*** SOLDERING FOOTPRINT**



SHANGHAI LEIDITECH ELECTRONICS TECHNOLOGY CO., LTD
 Phone: +86- 021-50827201
 Email:sale1@leiditech.com
<http://www.leiditech.com>