

Low Capacitance TVS Diode Array

APPLICATIONS

- ◆ Video On-Demand
- ◆ ISDN Telecom Interface
- ◆ STS-1 Interfaces
- ◆ LAN Interconnects
- ◆ ISDN U-Interfaces
- ◆ 10/100 Ethernet

IEC COMPATIBILITY

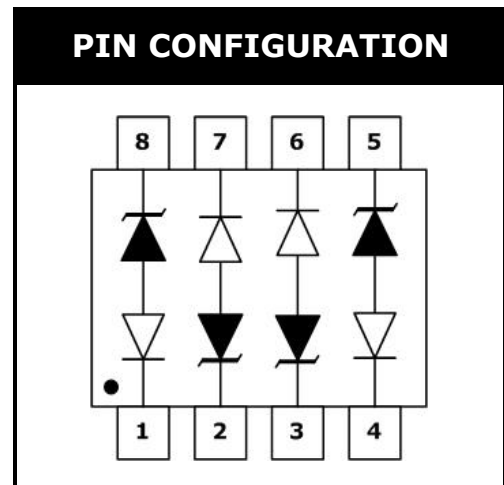
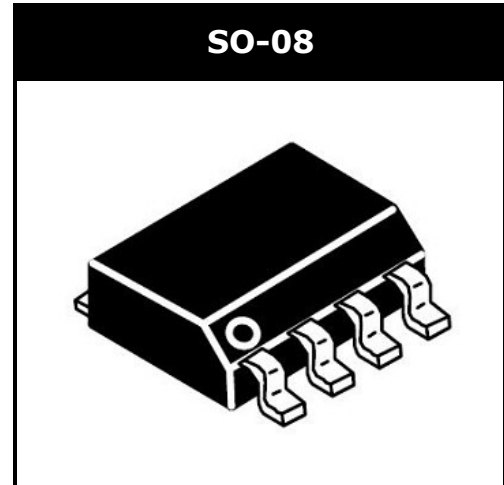
- ◆ IEC61000-4-2 (ESD) $\pm 15\text{kV}$ (air), $\pm 8\text{kV}$ (contact)
- ◆ IEC61000-4-4 (EFT) 40A (5/50 η s)
- ◆ IEC61000-4-5 (Lightning) 24A (8/20 μ s)

FEATURES

- ◆ 800 Watts Peak Pulse Power per Line ($t_p=8/20\mu\text{s}$)
- ◆ Protects two lines in common and differential mode
- ◆ Low capacitance for high-speed interfaces
- ◆ Low clamping and operating voltage
- ◆ RoHS Compliant

MECHANICAL CHARACTERISTICS

- ◆ JEDEC SO-08 Package
- ◆ Molding Compound Flammability Rating : UL 94V-0
- ◆ Weight 70 Milligrams (Approximate)
- ◆ Quantity Per Reel : 500pcs
- ◆ Reel Size : 7 inch
- ◆ Lead Finish : Lead Free



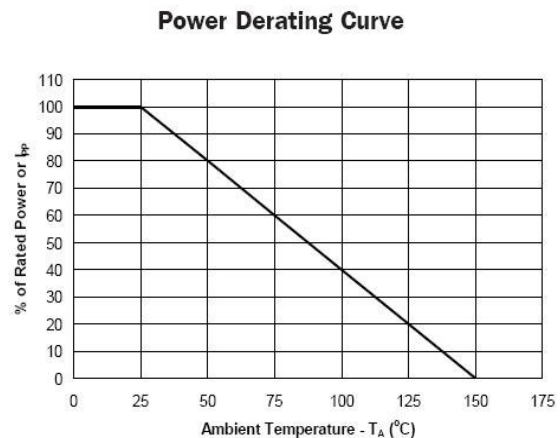
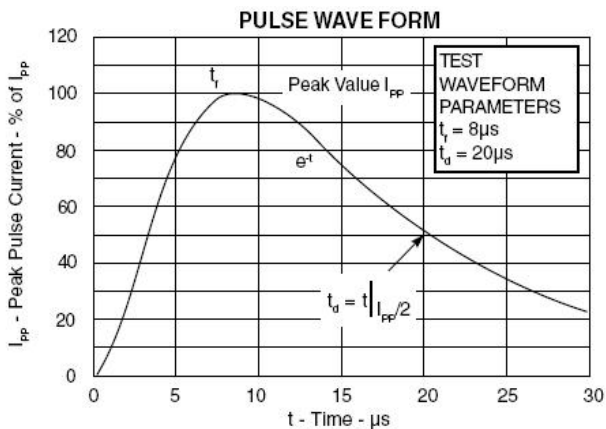
DEVICE CHARACTERISTICS

MAXIMUM RATINGS (@ 25°C Unless Otherwise Specified)

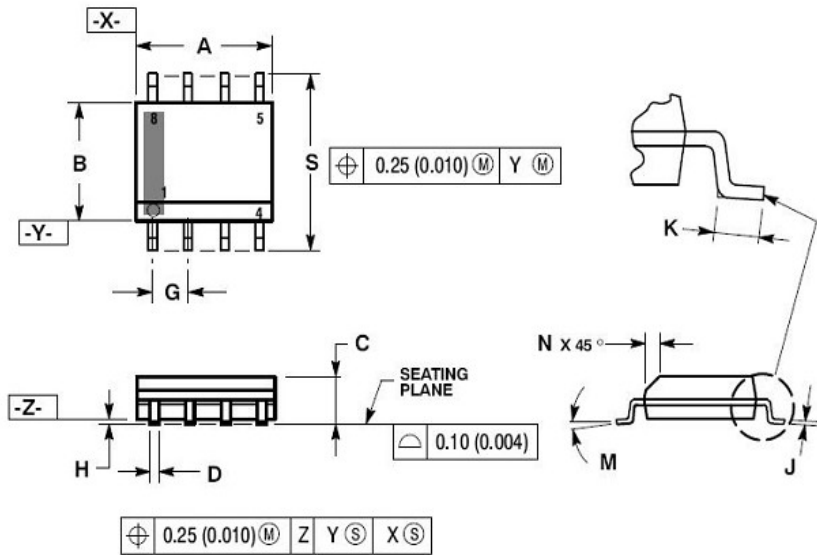
PARAMETER	SYMBOL	VALUE	UNITS
Peak Pulse Power (tp=8/20µs waveform)	P _{PP}	800	Watts
Lead Soldering Temperature	T _L	260 (10 sec.)	°C
Operating Temperature Range	T _J	-55 ~ 150	°C
Storage Temperature Range	T _{STG}	-55 ~ 150	°C

ELECTRICAL CHARACTERISTICS PER LINE (@ 25°C Unless Otherwise Specified)

PART NUMBER	DEVICE MARKING	V _{RWM}	V _B	I _T	V _C	V _C		I _R	C _T
		(V) (max.)	(V) (min.)	(mA)	@1A (max.)	(max.)	(@A)	(µA) (max.)	(pF) (max.)
SM8LC03	SM8 LC03	3.3	4.5	1	7	20	45	50	15
SM8LC05	SM8 LC05	5	6.0	1	10	24	37	10	15
SM8LC12	SM8 LC12	12	13.3	1	19	33	25	1	15
SM8LC15	SM8 LC15	15	16,7	1	25	39	20	1	15
SM8LC24	SM8 LC24	24	26.7	1	40	57	15	1	15
SM8LC36	SM8 LC36	36	40.0	1	53	72	10	1	15

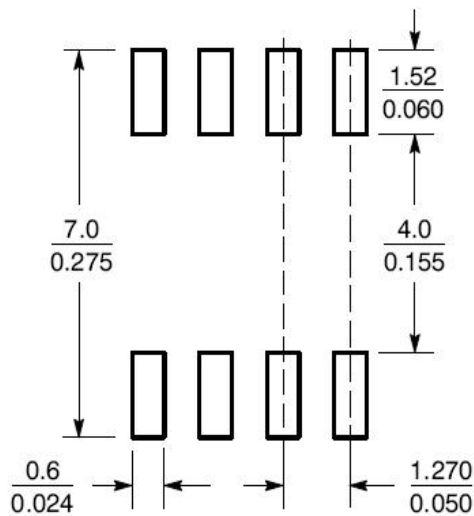


SOP-08 PACKAGE OUTLINE & DIMENSIONS



DIM	MILLIMETERS		INCHES	
	MIN	MAX	MIN	MAX
A	4.80	5.00	0.189	0.197
B	3.80	4.00	0.150	0.157
C	1.35	1.75	0.053	0.069
D	0.33	0.51	0.013	0.020
G	1.27 BSC		0.050 BSC	
H	0.10	0.25	0.004	0.010
J	0.19	0.25	0.007	0.010
K	0.40	1.27	0.016	0.050
M	0°	8°	0°	8°
N	0.25	0.50	0.010	0.020
S	5.80	6.20	0.228	0.244

*** SOLDERING FOOTPRINT**



SHANGHAI LEIDITECH ELECTRONICS TECHNOLOGY CO., LTD
 Phone: +86- 021-50827201
 Email:sale1@leiditech.com
<http://www.leiditech.com>