

## Bidirectional TVS Array for Protection of Seven Lines

### APPLICATIONS

- ◆ Microprocessor Based Equipment
- ◆ RS-232 and RS-422 Data Lines
- ◆ LAN/WAN Equipment
- ◆ Notebooks, Desktops and Servers
- ◆ Instrumentation
- ◆ Set Top Box
- ◆ Serial and Parallel Ports
- ◆ Peripherals

### IEC COMPATIBILITY

- ◆ IEC61000-4-2 (ESD)  $\pm 15\text{kV}$  (air),  $\pm 8\text{kV}$  (contact)
- ◆ IEC61000-4-4 (EFT) 40A (5/50  $\eta$  s)
- ◆ IEC61000-4-5 (Lightning) 12A (8/20 $\mu$ s)

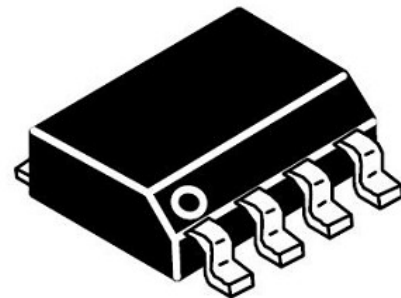
### FEATURES

- ◆ 300 Watts Peak Pulse Power per Line ( $t_p=8/20\mu$ s)
- ◆ Protects Seven Data Lines
- ◆ Working Voltage : 5V, 12V, 15V and 24V
- ◆ Monolithic Design
- ◆ RoHS Compliant

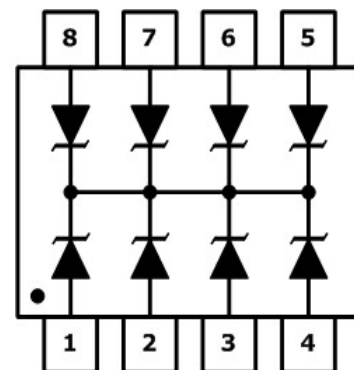
### MECHANICAL CHARACTERISTICS

- ◆ JEDEC SO-8 Package
- ◆ Molding Compound Flammability Rating : UL 94V-0
- ◆ Weight 70 Milligrams (Approximate)
- ◆ Quantity Per Reel : 500pcs
- ◆ Reel Size : 7 inch
- ◆ Lead Finish : Lead Free

SO-08



PIN CONFIGURATION



## DEVICE CHARACTERISTICS

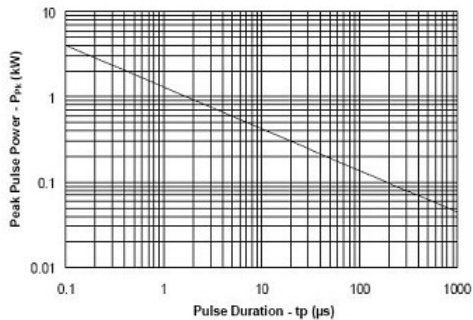
### MAXIMUM RATINGS (@ 25°C Unless Otherwise Specified)

PARAMETER	SYMBOL	VALUE	UNITS
Peak Pulse Power (tp=8/20μs waveform)	P <sub>PP</sub>	300	Watts
Lead Soldering Temperature	T <sub>L</sub>	260 (10 sec.)	°C
Operating Temperature Range	T <sub>J</sub>	-55 ~ 150	°C
Storage Temperature Range	T <sub>STG</sub>	-55 ~ 150	°C

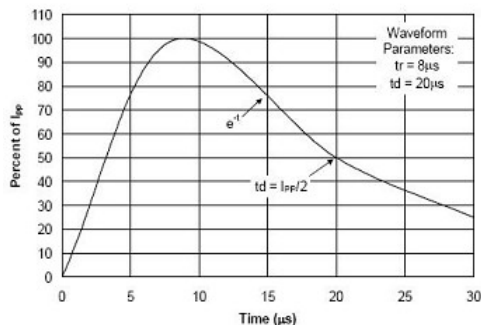
### ELECTRICAL CHARACTERISTICS PER LINE (@ 25°C Unless Otherwise Specified)

PART NUMBER	DEVICE MARKING	V <sub>RWM</sub>	V <sub>B</sub>	I <sub>T</sub>	V <sub>C</sub>	V <sub>C</sub>		I <sub>R</sub>	C <sub>T</sub>
		(V) (max.)	(V) (min.)	(mA)	@1A (max.)	(max.)	(@A)	(μA) (max.)	(pF) (max.)
SMDA05C-7	SMDA 05C-7	5	6	1	9.8	19	30	20	350
SMDA12C-7	SMDA 12C-7	12	13.3	1	19	29.2	20	1	120
SMDA15C-7	SMDA 15C-7	15	16.7	1	24	31.1	18	1	75
SMDA24C-7	SMDA 24C-7	24	26.7	1	43	45	13	1	50

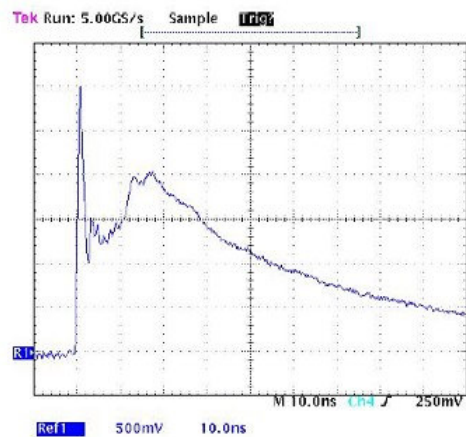
Non-Repetitive Peak Pulse Power vs. Pulse Time



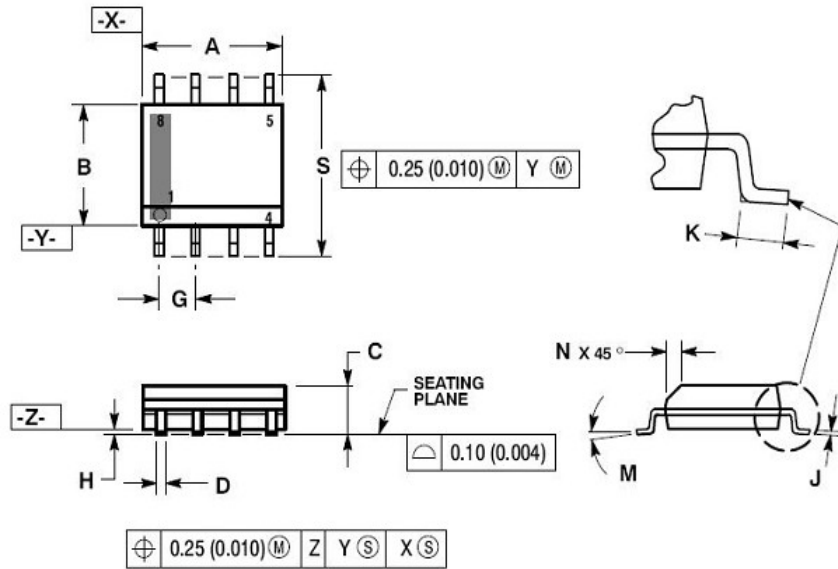
Pulse Waveform



ESD Pulse Waveform (IEC 61000-4-2)

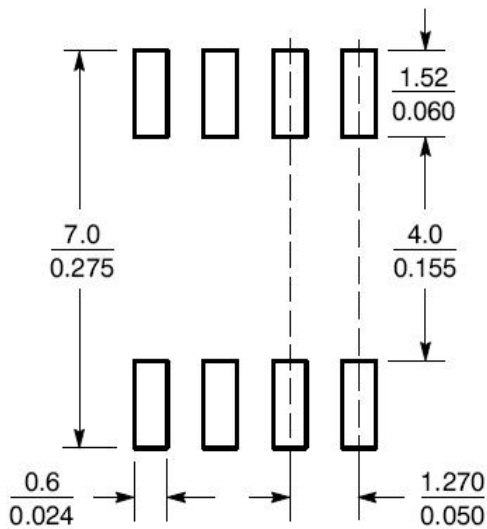


**SO-08 PACKAGE OUTLINE & DIMENSIONS**



DIM	MILLIMETERS		INCHES	
	MIN	MAX	MIN	MAX
A	4.80	5.00	0.189	0.197
B	3.80	4.00	0.150	0.157
C	1.35	1.75	0.053	0.069
D	0.33	0.51	0.013	0.020
G	1.27 BSC		0.050 BSC	
H	0.10	0.25	0.004	0.010
J	0.19	0.25	0.007	0.010
K	0.40	1.27	0.016	0.050
M	0°	8°	0°	8°
N	0.25	0.50	0.010	0.020
S	5.80	6.20	0.228	0.244

**\* SOLDERING FOOTPRINT**



SHANGHAI LEIDITECH ELECTRONICS TECHNOLOGY CO., LTD

Phone: +86- 021-50827201

Email:sale1@leiditech.com

http://www.leiditech.com