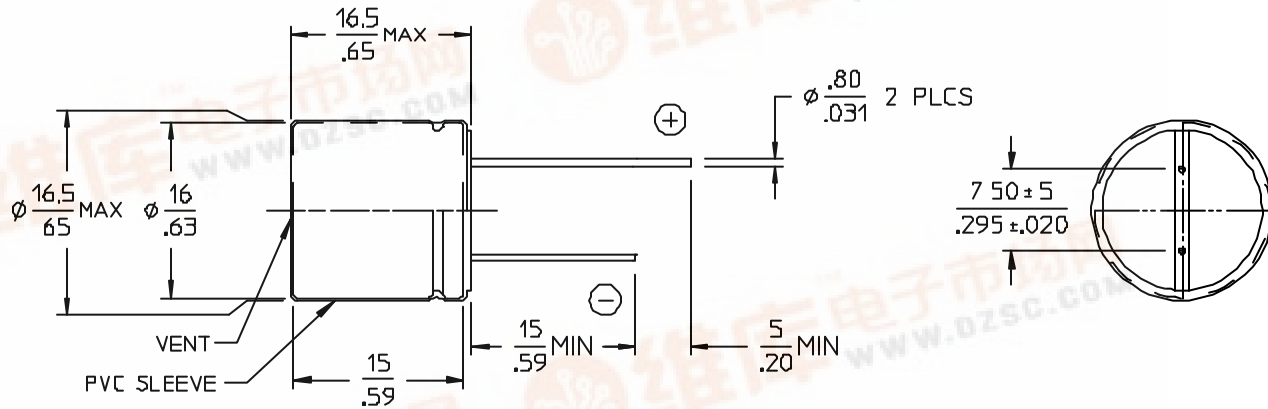


VICOR CONFIDENTIAL
 THIS DOCUMENT AND THE DATA DISCLOSED
 HEREIN OR HEREWITH IS NOT TO BE REPRODUCED,
 USED, OR DISCLOSED IN WHOLE OR IN PART
 TO ANYONE WITHOUT PERMISSION OF VICOR CORP.

REV	DESCRIPTION	DATE	APPROVED
01	RELEASED- E020061	01/14/02	GCK



ELECTRICAL CHARACTERISTICS @ T_a = 20°C, 120Hz (UNLESS OTHERWISE SPECIFIED)

PARAMETER	SYMBOL	MIN	MAX	UNITS	TEST CONDITIONS
CAPACITANCE	C	960	1440	μF	0.5V _{rms}
WORKING VOLTAGE	V _{DCW}	16		V	
SURGE VOLTAGE	V _{SURGE}	20		V	
LEAKAGE CURRENT	I _{DCL}		576	μA	1 MINUTE
DISSIPATION FACTOR	tan δ		0.16		
IMPEDANCE	Z		0.099 0.26	Ω	100KHZ, 20 °C 100KHZ, -10 °C
RIPPLE CURRENT	I _{RIPPLE}		1100	mA	T _a = 105°C, 100KHZ
OPERATING TEMPERATURE RANGE	T _{OP}	-55	+105	°C	

- NOTES:
 1. MATERIAL: ALUMINUM ELECTROLYTIC.
 2. SOLVENT PROOF END SEAL.
 3. DIMENSIONS ARE METRIC.
 INCH

MAXIMUM PERMISSIBLE RIPPLE CURRENT

FREQUENCY MULTIPLIER

FREQUENCY IN Hz						
50	120	300	1K	10K	100K	
0.80	0.90	0.95	0.98	1.00	1.00	

TEMPERATURE MULTIPLIER

TEMPERATURE	85°C	105°C
MULTIPLIER	1.75	1

DRAWN BY GCK	DATE 01/14/02
UNLESS OTHERWISE SPECIFIED DIMENSIONS ARE IN INCHES. TOLERANCES ARE FRACTIONS DECIMALS ANGLES +1/64 .XX- .01 .1°	
THRD ANGLE PROJECTION 	DD NOT SCALE DRAWING



**CAPACITOR, ALCL, RADIAL,
 1200μF, ±20%, 16V**

SIZE B	FSCM NO. 67131	DWG NO. 13442	REV 01
SCALE 2X	SHEET 1 OF 1		

