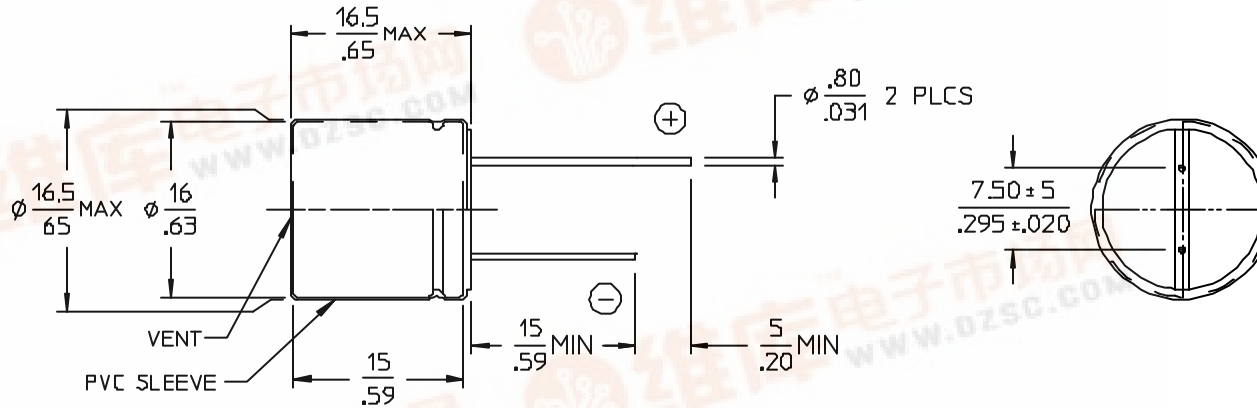


VICOR CONFIDENTIAL

THIS DOCUMENT AND THE DATA DISCLOSED HEREIN OR HEREWITH IS NOT TO BE REPRODUCED, USED, OR DISCLOSED IN WHOLE OR IN PART TO ANYONE WITHOUT PERMISSION OF VICOR CORP.

REV	DESCRIPTION	DATE	APPROVED
01	RELEASED- E020061	3/6/02	GCK



ELECTRICAL CHARACTERISTICS @ T_a = 20°C, 120Hz (UNLESS OTHERWISE SPECIFIED)

PARAMETER	SYMBOL	MIN	MAX	UNITS	TEST CONDITIONS
CAPACITANCE	C	176	264	μF	0.5V _{rms}
WORKING VOLTAGE	V _{DCW}	63		V	
SURGE VOLTAGE	V _{SURGE}	79		V	
LEAKAGE CURRENT	I _{DCL}		415.8	μA	1 MINUTE
DISSIPATION FACTOR	tan δ		0.08		
IMPEDANCE	Z		0.15 0.41	Ω	100KHZ, 20 °C 100KHZ, -10 °C
RIPPLE CURRENT	I _{RIPPLE}		960	mA	T _a = 105°C, 100KHZ
OPERATING TEMPERATURE RANGE	T _{OP}	-55	+105	°C	

- NOTES:
 1. MATERIAL: ALUMINUM ELECTROLYTIC.
 2. SOLVENT PROOF END SEAL.
 3. DIMENSIONS ARE METRIC.
 INCH

MAXIMUM PERMISSIBLE RIPPLE CURRENT

FREQUENCY MULTIPLIER

FREQUENCY IN Hz					
50	120	300	1K	10K	100K
0.60	0.70	0.80	0.90	0.95	1.00

TEMPERATURE MULTIPLIER

TEMPERATURE	85°C	105°C
MULTIPLIER	1.75	1

DRAWN BY	DATE
GCK	01/14/02
UNLESS OTHERWISE SPECIFIED DIMENSIONS ARE IN INCHES. TOLERANCES ARE FRACTIONS DECIMALS ANGLES	
+1/64 .XX-+.01 .°	
XXX-+.005	
THRD ANGLE PROJECTION	
DD NOT SCALE DRAWING	



CAPACITOR, ALEL, RADIAL, 220μF, ±20% 63V

SIZE	FSCM NO.	DWG NO	REV
B	67131	13448	01
SCALE	2X	SHEET 1 OF 1	

