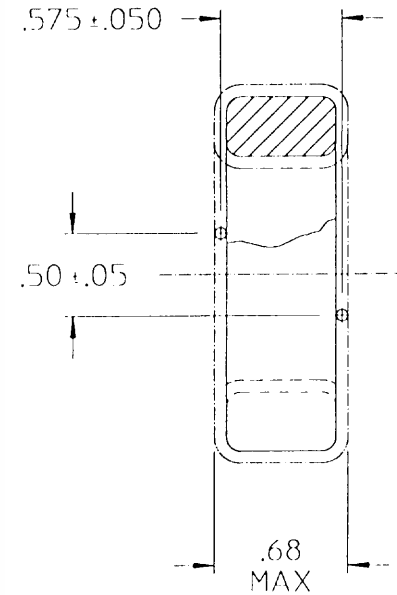
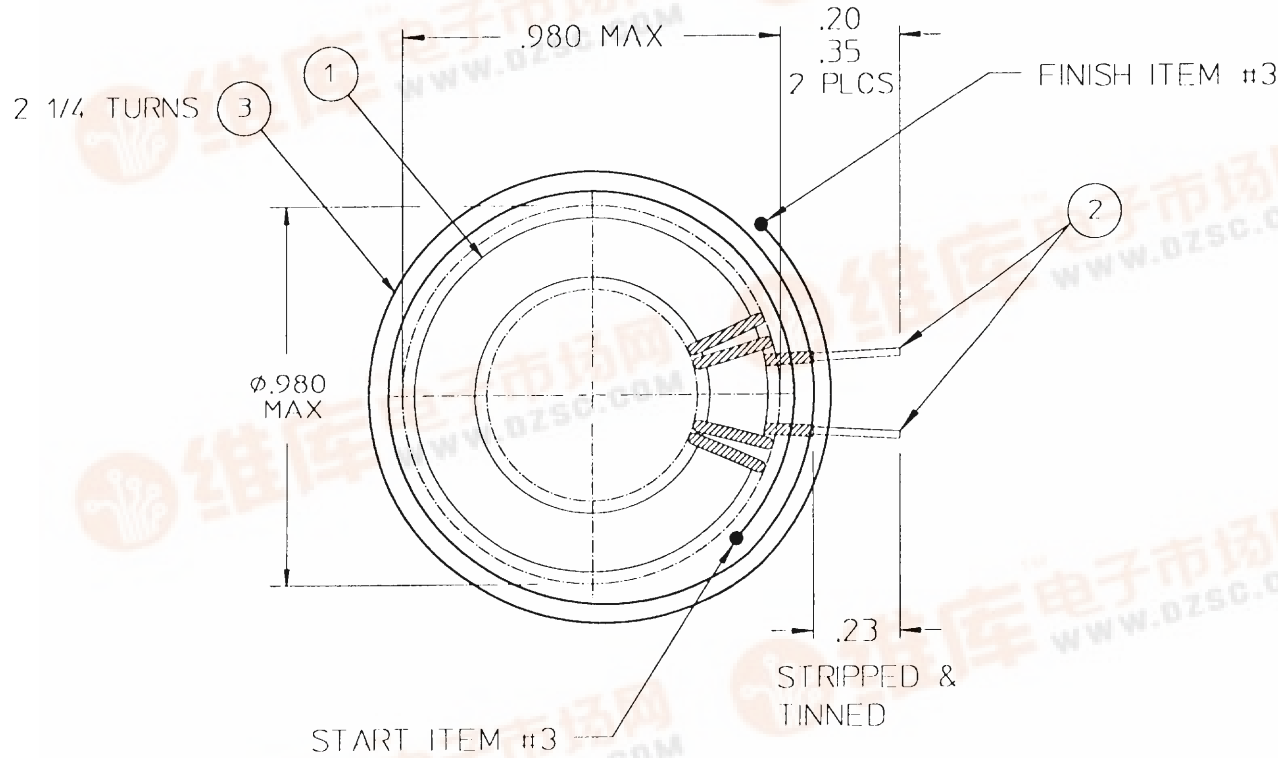


VICOR CONFIDENTIAL

THIS DOCUMENT AND THE DATA DISCLOSED HEREIN OR HEREWITH IS NOT TO BE REPRODUCED, USED, OR DISCLOSED IN WHOLE OR IN PART TO ANYONE WITHOUT PERMISSION OF VICOR CORP.

REV.	DESCRIPTION	DATE	APPROVED
01	RELSD- E960407	RCM 9/14/96	DPK

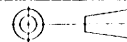


- NOTES:
- MAGNET WIRE: CLASS 130°C NEMA MW28-C
 - ASSEMBLY TO BE FREE OF NICKS
 - SEE BOM 14563 FOR LIST OF PARTS

UNLESS OTHERWISE SPECIFIED DIMENSIONS ARE IN INCHES TOLERANCES ARE:

FRACTIONS	DECIMALS	ANGLES
± 1/64	XX ± .01	± 1°
	.XXX ± .005	

THIRD ANGLE PROJECTION



DO NOT SCALE DRAWING

APPROVALS	DATE
	8/31/95



INDUCTOR DWG,
21T/#15 W/ TAPE



2	PRI	21	23.6-31.9	10 MAX
ITEM NO.	WINDING	NO. OF TURNS	IND. (ohm)	DC RES (mΩ)

Part # 14563

SIZE	FSCM NO.	DWG. NO.	REV.
B	67131	14565	01
SCALE	NONE	SHEET	1 OF 1