



DC Voltage Rugged Seal Style

- Rugged Metal Case for Rigorous Environments
- Commercially Sealed, Moisture and Dust Proof
- Calibration Not Affected by Steel Panel Mounting
- Metal Cased and Shielded
- O-Ring Sealed Zero Adjust and Electrical Termination
- Sizes: 3-1/2" and 4-1/2"

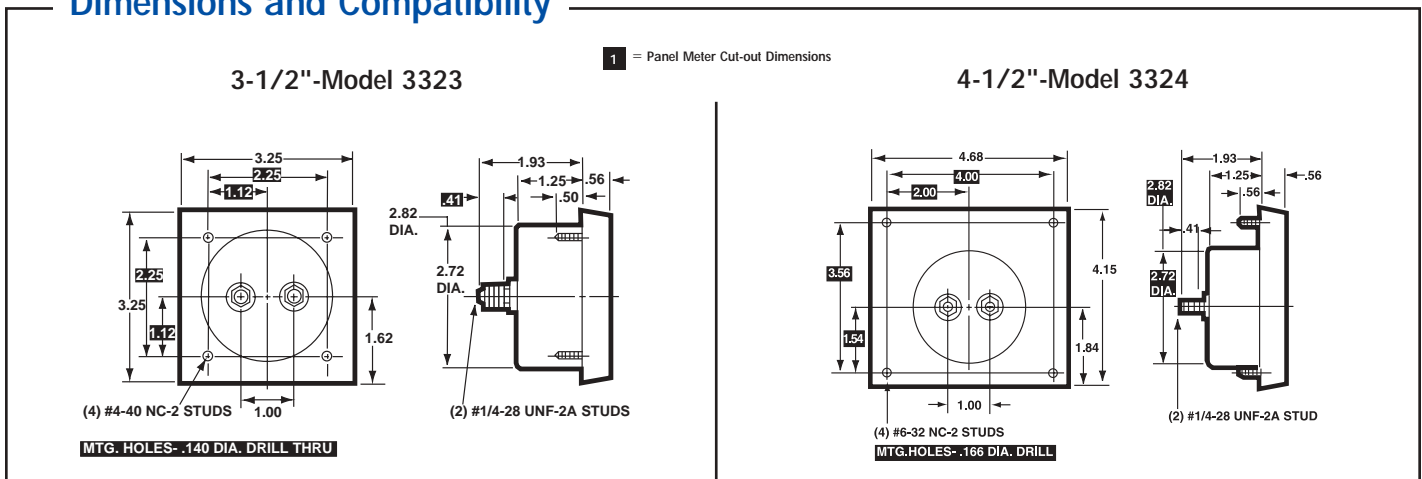


Model Number	Size	Meter Movement
3323	3-1/2"	Annular
3324	4-1/2"	Annular

Specifically designed for harsh environments, Simpson's Rugged Seal panel meters are ideal for use in field test equipment or wherever rigorous environmental conditions are encountered. This line of panel meters offers a stylish look with its black metal case and clear glass window. The metal case gives complete magnetic isolation for steel panel mounting, where stray magnetic fields can induce errors in your reading. In addition, each meter is moisture, dirt, and dust proof. For added environmental protection, both zero adjust and electrical terminals are O-ring sealed.

The Rugged Seal meters are available in two convenient sizes; 3-1/2" and 4-1/2". All DC units have self-shielding meter movements with pivot and jewel suspension and offer $\pm 2\%$ of full scale (F.S.) accuracy. This style meter is ideal for many other electrical functions. See the "Function Reference Table."

Dimensions and Compatibility



Compatibility Reference Table

Manufacturer	Size/Model	
	3-1/2"	4-1/2"
Modutec K Series	K3S-	K4S-

