

VS-06-2X2X26C7/7-67/67/ 5,0

Order No.: 1654028

<http://eshop.phoenixcontact.de/phoenix/treeViewClick.do?UID=1654028>Assembled FireWire cable, shielded, color: RAL 5021 (water blue),
PUR outer sheath, FireWire/IP67 on FireWire/IP67, length: 5 m**Commercial data**

EAN	4017918970352
Pack	1 pcs.
Customs tariff	85369010
Weight/Piece	0.3825 KG
Catalog page information	Page 313 (PC-2009)

Product notesWEEE/RoHS-compliant since:
06/09/2006

<http://www.download.phoenixcontact.com>
Please note that the data given here has been taken from the online catalog. For comprehensive information and data, please refer to the user documentation. The General Terms and Conditions of Use apply to Internet downloads.

Technical data**Mechanical characteristics**

Number of positions	6
Shielded	Yes
Insertion/withdrawal cycles	≥ 1000
External cable diameter	6.7 mm
Cable diameter	6.70 mm

Cable structure	2x2xAWG26/7 + 2xAWG20/19; S/FTP
Length of cable	5 m
Ambient temperature (operation)	-20 °C ... 60 °C (cable, fixed installation)
	0 °C ... 50 °C (cable, flexible installation)
	(plug/socket)

Material data

Housing material	PA
Sealing material	FPM
Outer sheath, material	PUR
External sheath, color	water blue RAL 5021
Degree of protection	IP67

Electrical characteristics

Rated voltage (III/3)	125 V
Rated current	1 A
Transmission characteristics (category)	CAT7, for FireWire (400 mbps)

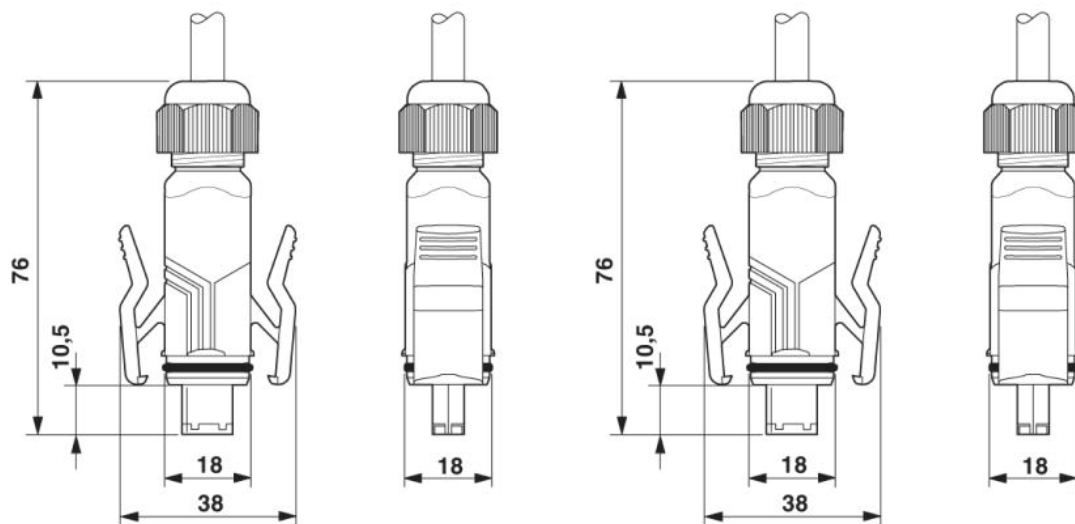
Line characteristics

Cable type	FireWire
Conductor cross section	0.14 mm ² (signal line)
	0.5 mm ² (Power supply)
AWG signal line	26
Conductor structure, signal line	7x 0.15 mm
AWG power supply	20
Conductor structure, voltage supply	19x 0.20 mm
Core diameter including insulation	1 mm (signal line)
External cable diameter	6.70 mm
Wire colors	White-blue, white-orange, gray, black
External sheath, color	water blue RAL 5021
Insulation resistance	5 GΩ*km
Conductor resistance	150 mΩ/m
Transmission characteristics (category)	CAT7, for USB 2.0 (480 mbps)
Working capacitance	42 pF
Wave impedance	100 Ω ±5% (signal line)
Signal speed	0.72 c
Signal runtime	46 ns/m

Shield attenuation	60 dB (Up to 1000 MHz)
Interference suppression	90 dB (Up to 1000 MHz)
Nominal voltage, conductor	125 V
Test voltage, conductor	1000 V
Twisted pairs	2 cores to the pair
Type of pair shielding	Aluminum-lined polyester foil
Overall twist	Two pairs and two power supply wires to the core
Shielding	Braided shielding made of galvanized copper wires
Optical shield covering	65 %
Outer sheath, material	PUR
Material conductor insulation	Cell PE (signal line) PVC (Power supply)
Conductor material	Bare Cu litz wires
Cable weight	56 kg/km
Smallest bending radius, fixed installation	≥ 35 mm
Smallest bending radius, movable installation	≥ 35 mm

Drawings

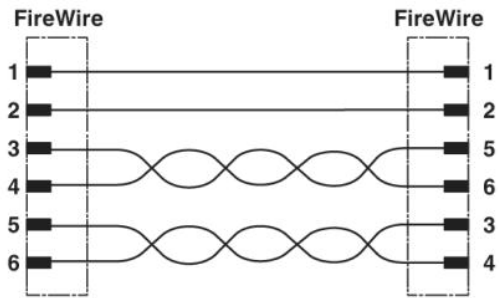
Dimensioned drawing



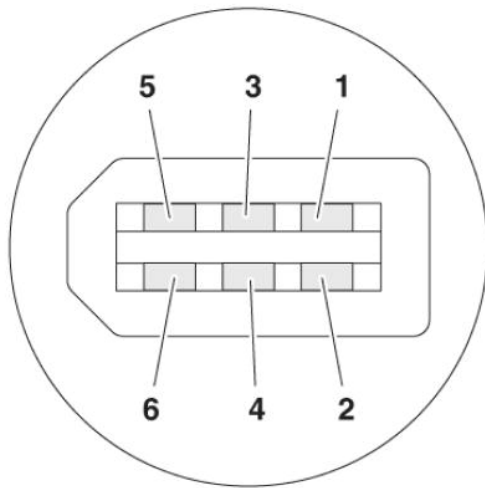
FireWire plug connector, IP67

FireWire plug connector, IP67

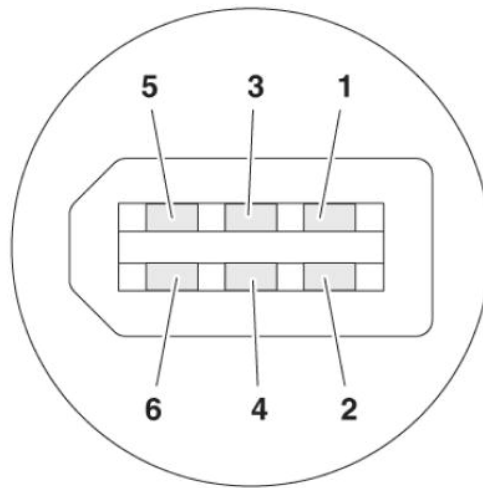
Circuit diagram



Schematic diagram



Pin assignment plug FireWire



Pin assignment plug FireWire

Address

PHOENIX CONTACT GmbH & Co. KG
Flachmarktstr. 8
32825 Blomberg, Germany
Phone +49 5235 3 00
Fax +49 5235 3 41200
<http://www.phoenixcontact.de>



© 2009 Phoenix Contact
Technical modifications reserved;