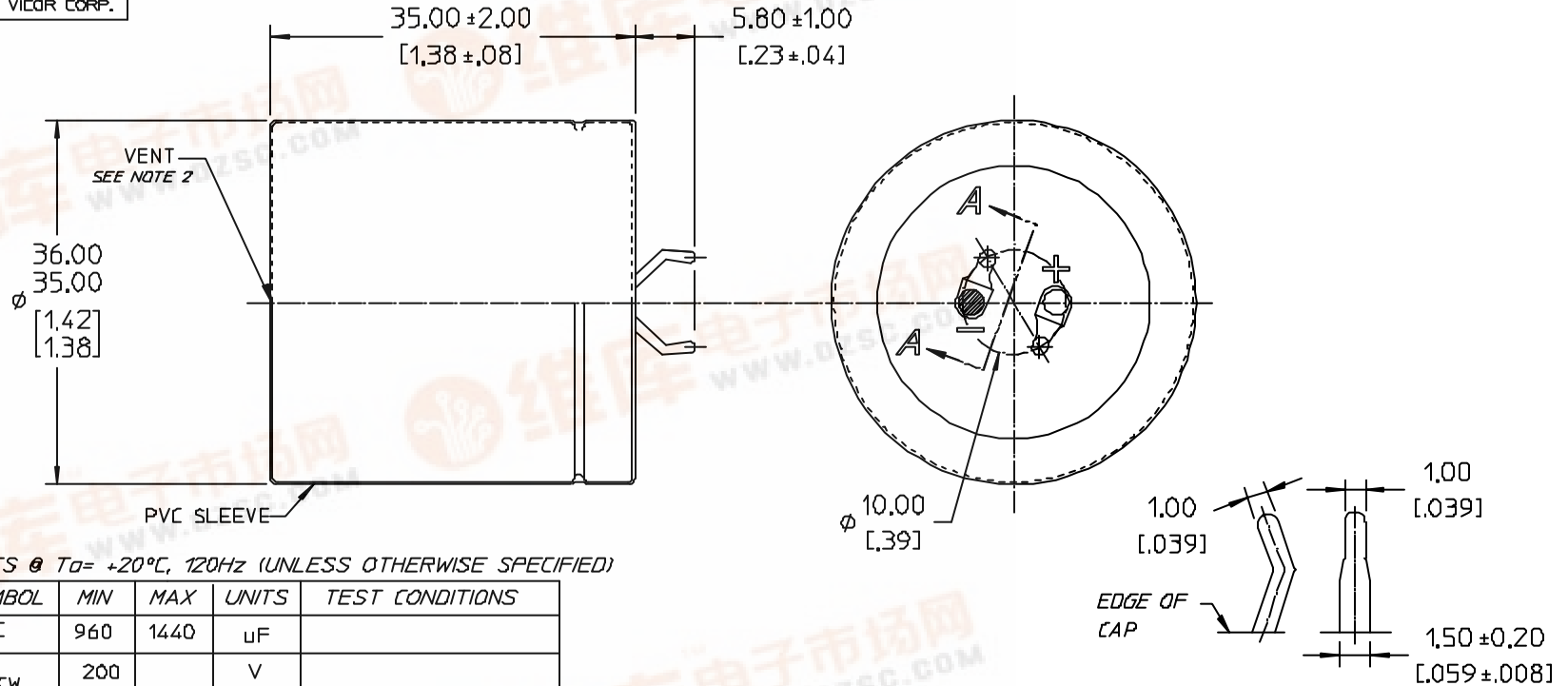


VICOR CONFIDENTIAL

THIS DOCUMENT AND THE DATA DISCLOSED HEREIN OR HEREWITH IS NOT TO BE REPRODUCED, USED, OR DISCLOSED IN WHOLE OR IN PART TO ANYONE WITHOUT PERMISSION OF VICOR CORP.

REV	DESCRIPTION	DATE	APPROVED
01	RELEASED PER E0230174	4/29/02	JMR



ELECTRICAL CHARACTERISTICS @ Ta= +20°C, 120Hz (UNLESS OTHERWISE SPECIFIED)

PARAMETER	SYMBOL	MIN	MAX	UNITS	TEST CONDITIONS
CAPACITANCE	C	960	1440	μF	
WORKING VOLTAGE	V _{DCW}	200		V	
SURGE VOLTAGE	V _{SURGE}		250	V	
LEAKAGE CURRENT	I _{DCL}		3.0	mA	after 5 MIN @ +20°C
DISSIPATION FACTOR	tan δ		0.15		
EQUIVALENT SERIES RESISTANCE	ESR	0.120 TYP		Ω	
RIPPLE CURRENT	I _{RIPPLE}		2.5	Arms	Ta= +105°C
OPERATING TEMPERATURE RANGE	T _{OP}	-25	+105	°C	

NOTES:

1. MATERIAL: ALUMINUM ELECTROLYTIC.
2. VENT MAY BE LOCATED ON EITHER SIDE OR BOTTOM OF CAP.
3. FOR ADDITIONAL SPECS & DIMENSIONS- CONTACT VENDOR & CHECK DATA SHEET.

MAXIMUM PERMISSIBLE RIPPLE CURRENT

FREQUENCY MULTIPLIER

TEMPERATURE MULTIPLIER

FREQUENCY IN Hz	120	300	1K	10K	100K
0.81	1	1.17	1.32	1.45	1.50

TEMPERATURE	+45°C	+60°C	+70°C	+85°C	+105°C
MULTIPLIER	2.64	2.23	2.12	1.73	1.00

DRAWN BY D.P. KELLY	DATE 1/02
UNLESS OTHERWISE SPECIFIED DIMENSIONS ARE IN MM(IN)-TOLERANCES ARE	
DECIMALS XX- ± 0.254 [01]	ANGLES XXX- ± 0.127 [005] ± 1°
THRD ANGLE PROJECTION	
DD NOT SCALE DRAWING	



**CAPACITOR, ALEL, RADIAL,
1200μF, ±20%, 200V**

SIZE B	FSCM NO. 67131	DWG NO 16874	REV 01
SCALE 2X	SHEET 1 OF 1		

