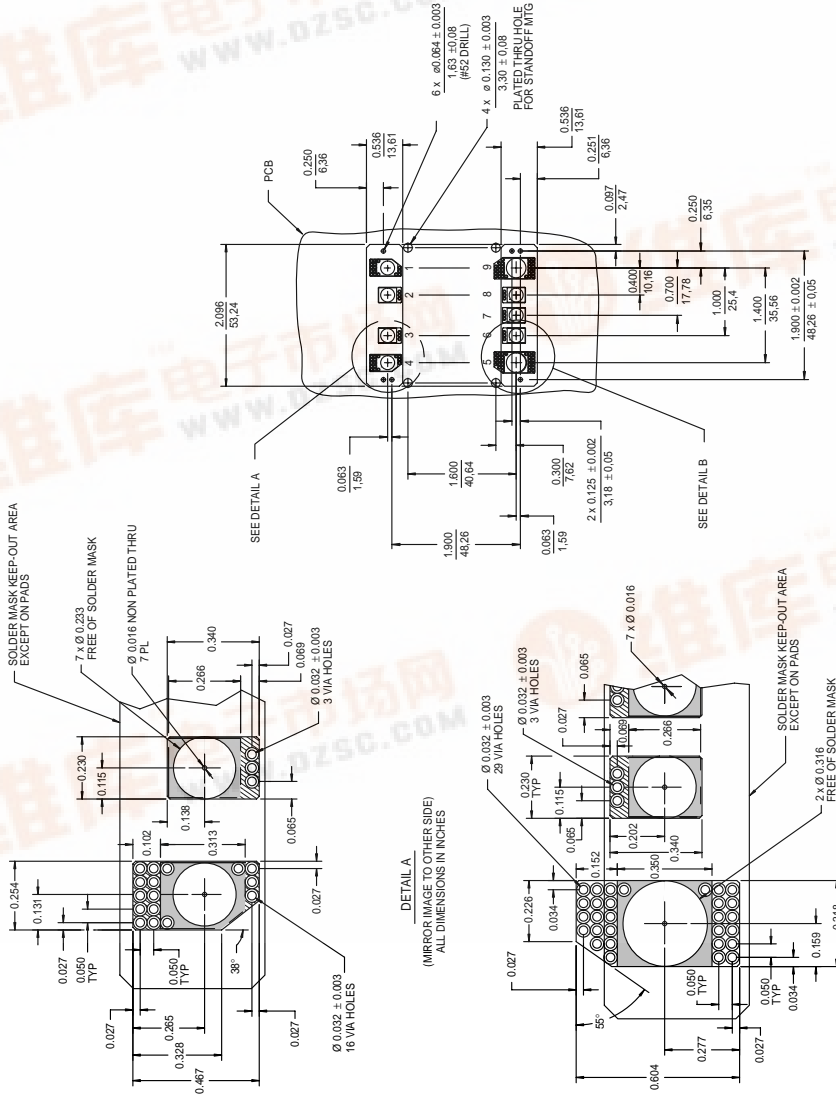
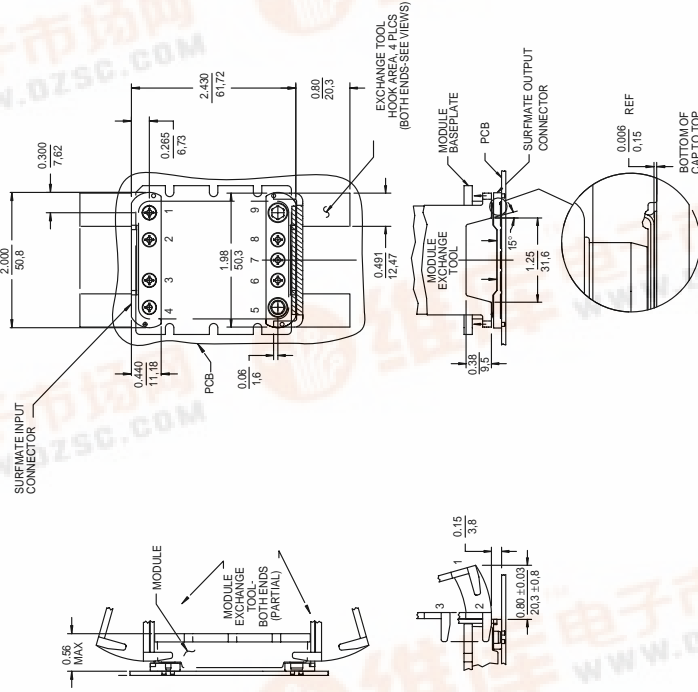


PCB Layout Drawing for Mini Size Module

PIN LEGEND				
Mini		FARM		
Pin Number	Symbol	Function	Symbol	Function
1	+	+IN	N	Neutral
2	PC	Prim. Control Parallel	EM/GRD	EMI
3	PR	-IN	L	Line
4	-	-Sense	-	-Out
5	-	-Sense	EN	Enable
6	SC	Sec. Control +Sense	ST	Strap
7	+S	+Out	BOK	BUS OK
8	+		+	+Out
9	+		+	+Out



PCB MOUNTING SPECIFICATIONS
(ALSO SEE EXCHANGE TOOL DETAILS IN RIGHT VIEWS)

All dimensions are **Inch or Inch / Metric**
ANSI / IPC-D-300 specifications apply for Class "B" boards.
Recommended PCB construction:

Multilayer 3oz Cu with internal power and ground planes. Pad geometry and minimum number of via holes for connection to power and ground planes shown in Details "A" & "B" for high current applications. Pads to be covered with solder mask except in circular area shown in Detail "A" & "B". Final pad height above laminate to be 0.004" +/- 0.0004".
Light gray area denotes stencil aperture (should include circular solder mask keep-out area on each pad).

PRODUCT APPLICATION SPECIFICATIONS

DETAIL C

DETAIL B
(MIRROR IMAGE TO OTHER SIDE)
ALL DIMENSIONS IN INCHES

DETAIL A
(MIRROR IMAGE TO OTHER SIDE)
ALL DIMENSIONS IN INCHES

