



# DC Voltage Century Style

- UL Recognized
- Phenolic Cases
- Distinctive Case Style
- Glass Windows
- Four Popular Sizes: 1-1/2", 2-1/2", 3-1/2" and 4-1/2"

An attractive design for industrial or commercial applications, the Century offers maximum reliability and is accurate to  $\pm 2$  percent full scale (F.S.) on all readings. The Century offers a small core magnet or annular movement that is self-shielded, allowing the instrument to be mounted on steel panels. Models are available to measure various voltage ranges up to 1000 Volts DC.

These easy-to-read meters, molded in a black phenolic housing with a large glass viewing window, come in four different sizes from 1-1/2 to 4-1/2 inches. Higher range measurements require an external multiplier (supplied). Custom dials are ordered to fit your specific application. This style meter is ideal for many other electrical functions. See "Function Reference Table."



Model Number	Size	Meter Movement
2121	1-1/2"	Small Core Magnet
2122	2-1/2"	Annular, Self-shielding
2123	3-1/2"	Annular, Self-shielding
2124	4-1/2"	Annular, Self-shielding

### Compatibility Reference Table

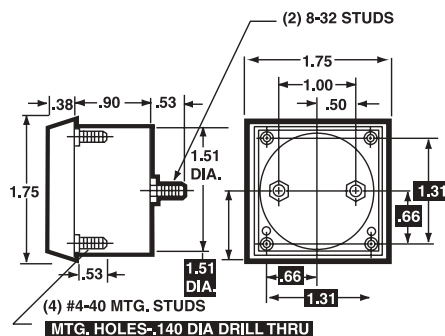
Manufacturer	Size/Model		
	2-1/2"	3-1/2"	4-1/2"
Crompton Amerint	233	235	237
Hoyt	4025	4035	4045
Modutec S Series	2S-	3S-	4S-
Triplet G Series	220-GL	320-GL	420-GL
Weston 2000 Series	2021	2031	2041
Yokogawa Horizon	251-220	251-320	251-420

## Dimensions and Compatibility

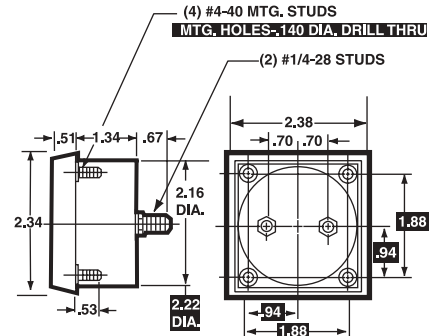
NOTE: "T" Model suffix used for taut-band movement

1 = Panel Meter Cut-out Dimensions

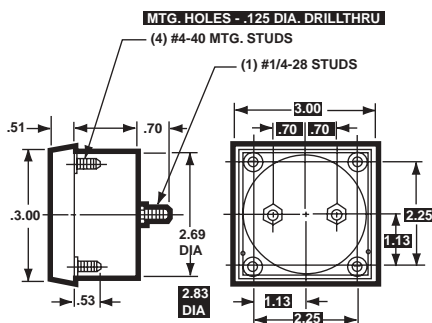
### 1-1/2"-Model 2121



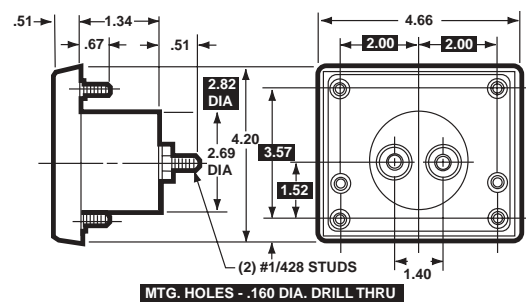
### 2-1/2"-Models 2122



### 3-1/2"-Models 2123



### 4-1/2"-Models 2124



## Specifications

<b>Accuracy:</b>	±2% F.S.
<b>Movement:</b>	Model 2121: Small core magnet, self-shielding Models 2122, 2123, 2124: Annular, self-shielding
<b>Suspension:</b>	Pivot and jewel
<b>Tracking:</b>	±3%
<b>Shielding:</b>	Calibration is unaffected by magnetic panel mounting.
<b>Response Time:</b>	1.5 seconds maximum
<b>Overload (1 sec.):</b>	10 times F.S.
<b>Overload (Continuous):</b>	1.5 times F.S.
<b>Repeatability:</b>	2%
<b>Dial:</b>	Sharp clear scale. Each dial arc is calibrated to track the specific type of movement used.
<b>Resistance:</b>	±15%

<b>Operating Temperature:</b>	-4°F to +149°F (-20°C to +65°C)
<b>Case:</b>	High density black phenolic
<b>Pointer:</b>	Knife-edge, with black matte finish
<b>Scale Length:</b>	Model 2121: 1.25" (31.7mm) Model 2122: 2.07" (52.7mm) Model 2123: 2.75" (69.8mm) Model 2124: 4.09" (103.9mm)
<b>Net Weight:</b>	Model 2121: 2oz (0.06kg) Model 2122: 7oz (0.20kg) Model 2123: 8oz (0.23kg) Model 2124: 11oz (0.31kg)

## Ordering Information

### DC Voltage Meters Self-Shielding Meter Movement

Range	Approx. Impedance (Ohms)	Model/Size and Catalog Number			
		1-1/2" Model 2121	2-1/2" Model 2122	3-1/2" Model 2123	4-1/2" Model 2124
0-5	1000 ohms per volt	17840	17445	17525	17618
0-8		<>	<>	<>	17619
0-10		17842	17446	17527	17620
0-15		17843	17447	17528	17621
0-25		17844	17448	17529	17622
0-30		17845	17449	17530	17623
0-50		17846	17450	17531	17624
0-100		17848	17451	17532	17625
0-150		17849	17452	17533	17626
0-200		<>	<>	17534	17627
0-250		<>	<>	17535	<>
0-300		<>	17455	17536	17629
0-300		17850	<>	<>	<>
0-500		17851*	17456	17537	17630
0-750		<>	<>	17538	17631
0-1000	<>	17458*	17539*	17632*	

\*External multipliers (Model 183) are furnished on 1-1/2" DC meters 500 volts or higher; on 2-1/2" DC meters 750 volts or higher; and on 3-1/2" and 4-1/2" DC meters 1000 volts or higher. All others have self-contained multipliers.  
<> Available on special order.

### DC Millivoltmeters Self-Shielding Meter Movement

Range	Approx. Impedance (Ohms)	Model/Size and Catalog Number			
		1-1/2" Model 2121	2-1/2" Model 2122	3-1/2" Model 2123	4-1/2" Model 2124
0-50	10.0	<>	17472	17540	17636
50-0-50	20.0	<>	<>	17541	17635

<> Available on special order.

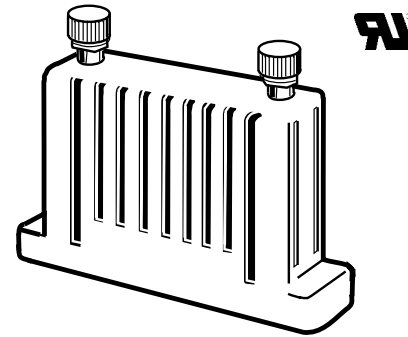
## Function Reference Table

For your convenience, the table below lists Century models for other electrical monitoring functions and page reference.

Function	Section	Page
AC Current	E	15
AC Voltage	E	35
DC Current	E	55
Watts	E	107

## Accessories

### Model 183 Multiplier



The Model 183 external multiplier enables a voltage meter to monitor up to 5000 DC volts. An external multiplier is used with a 500 DC  $\mu$ A instrument that is scaled proportionally to your measurement range. The model 183 is included with all 1-1/2" meters 500 volts or higher, with all 2-1/2" DC voltage meters 750 volts or higher; and with 3-1/2" and 4-1/2" DC voltage meters 1000 volts or higher. All others are self-contained. Simpson's external multipliers are available for immediate delivery from your local distributor. Other intermediate ranges are available at minimum quantities on special order.

### Ordering Information

#### DC Volts — 2000 Ohms/Volt

Range	Multiplier Resistance Megohms	Meter Sensitivity DC $\mu$ A	Catalog Number
0-500	1	500	08552
0-1000	2	500	08554
0-2000	4	500	08557
0-4000	8	500	08560
0-5000	10	500	08561