

- UL Recognized
- Phenolic Cases
- $\pm 2\%$  of Full Scale Accuracy
- Three Popular Sizes: 2-1/2", 3-1/2" and 4-1/2"
- Glass Windows

An attractive design for industrial or commercial applications, the Century offers maximum reliability, and is accurate to  $\pm 2\%$  of full scale (F.S.) on all readings. The Century offers an iron-vane movement that allows the instrument to be mounted on steel panels. Models are available to measure various current ranges up to 300 amps and are calibrated for a frequency range of 25-800Hz.

These easy-to-read meters, molded in a black phenolic housing with a large glass viewing window, come in three different sizes of 2-1/2", 3-1/2" and 4-1/2". The 2-1/2" meters are self-contained through 50 amps and the 3-1/2" and 4-1/2" meters are self-contained through 75 amps.

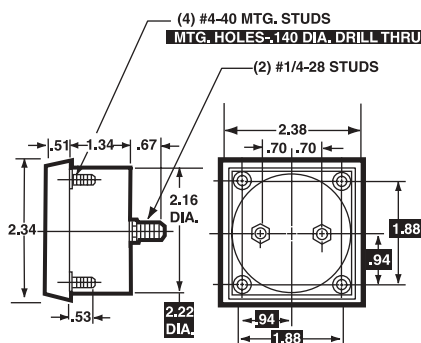


Model Number	Size	Meter Movement
2152	2-1/2"	Iron-Vane
2153	3-1/2"	Iron-Vane
2154	4-1/2"	Iron-Vane

Higher range readings require an external transformer. Dual range scales can be ordered for the 4-1/2" meter as well as custom dials to fit your specific application. This style meter is ideal for many other electrical functions. See "Function Reference Table."

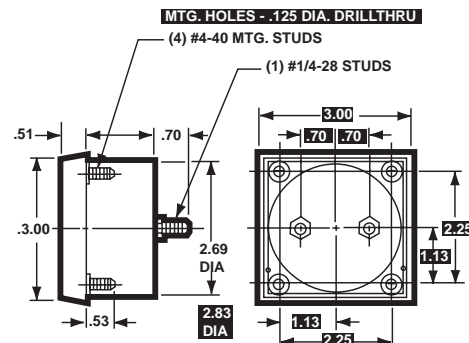
## Dimensions and Compatibility

### 2-1/2"-Model 2152

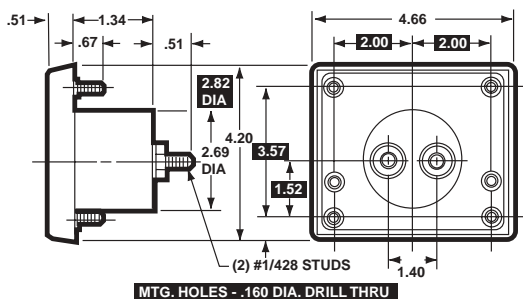


1 = Panel Meter Cut-out Dimensions

### 3-1/2"-Model 2153



### 4-1/2"-Model 2154



## Compatibility Reference Table

Manufacturer	Size/Model		
	2-1/2"	3-1/2"	4-1/2"
Crompton Amerint	233	235	237
Hoyt	4026	4036	4046
Modutec S Series	2S-	3S-	4S-
Triplet G Series	230-GL	330-GL	430-GL
Weston 2000 Series	2024	2034	2044
Yokogawa Horizon	251-210	251-310	251-410

## Specifications

<b>Accuracy:</b>	±2% F.S.
<b>Movement:</b>	Iron-vane, magnetically damped
<b>Suspension:</b>	Pivot and jewel
<b>Tracking:</b>	±3%
<b>Shielding:</b>	Calibration is unaffected by magnetic panel mounting.
<b>Response Time:</b>	1.5 seconds maximum
<b>Overload (1 sec.):</b>	10 times F.S.
<b>Overload (Continuous):</b>	1.5 times F.S.
<b>Repeatability:</b>	2%
<b>Dial:</b>	Each dial arc is calibrated to track the specific type of movement used.

<b>Resistance:</b>	±15%
<b>Operating Temperature:</b>	-4°F to +149°F (-20°C to +65°C)
<b>Case:</b>	High density black phenolic
<b>Pointer:</b>	Knife-edge, with black matte finish
<b>Scale Length:</b>	Model 2152: 1.86" (47.2mm) Model 2153: 2.48" (63.0mm) Model 2154: 3.68" (93.5mm)
<b>Net Weight:</b>	Model 2152: 5oz (0.14kg) Model 2153: 6oz (0.17kg) Model 2154: 9oz (0.26kg)

## Ordering Information

### AC Milliammeters Iron-Vane Type Movement

Range	Approx. Impedance (ohms) @ 60Hz	Model/Size and Catalog Number		
		2-1/2" Model 2152	3-1/2" Model 2153	4-1/2" Model 2154
0-10	1,650	17680	< >	17760
0-50	80	17681	17716	17761
0-100	17.2	17682	17717	17762
0-250	3.15	17683	17718	17763
0-500	0.9	17684	17719	17764

### AC Current Iron-Vane Type Movement

Range	Approx. Impedance (ohms) @ 60Hz	Model/Size and Catalog Number		
		2-1/2" Model 2152	3-1/2" Model 2153	4-1/2" Model 2154
0-1	.213	17665	17695	17740
0-1.5	.105	17666	< >	< >
0-2	.065	< >	17697	17742
0-3	.028	17667	17698	17743
0-5	.008	17668	17699	17744
0-10	.004	17669	17700	17745
0-10	.008	< >	35081†	35085†
0-15	.0025	17670	17701	17746
0-25	.002	17671	17702	17747
0-25	.008	< >	35082†	35086†
0-30	.0015	17672	17703	17748
0-50	.001	17673	17704	17749
0-50	.008	< >	35083†	35087†
0-75	.0002	< >	17710	17755
0-75	.008	< >	35084†	35088†
0-80	.008	< >	35036†	< >
0-100	.008	17674†	17706†	17751†
0-150	.008	< >	17707†	17752†
0-200	.008	< >	17708†	17753†
0-300	.008	< >	17709†	17754†

### AC Dual Range Ammeter/Voltmeter

Range	Approx. Impedance (ohms) @ 60Hz	Model/Size and Catalog Number		
		2-1/2" Model 2152	3-1/2" Model 2153	4-1/2" Model 2154
0-150V and 0-5A	15,030 and 0.021	—	17694	17739

†These meters are 5 amp meters to be used with an external current transformer. See accessory panel to the right. Additional current transformer ranges can be achieved through wrapping the primary and secondary wires. (See page in the accessory section for details.) < > Available on special order.

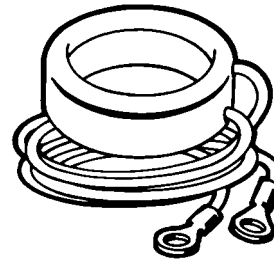
## Function Reference Table

For your convenience, the table below lists Century models for other electrical monitoring functions with page number reference.

Function	Section	Page
AC Voltage	E	35
DC Current	E	55
DC Voltage	E	75
Watts	E	107

## Accessories

### Donut Current Transformer Ordering Information



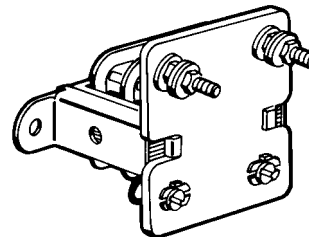
Range/Amps		Catalog Number
Primary	Secondary	
50	5	01293
75	5	01306
100	5	01297
150	5	01298
200	5	01299
250	5	01313
300	5	01300
400	5	01305
500	5	01301
600	5	02303
750	5	02459
1000	5	02304

A Donut Current Transformer enables this current meter to monitor AC current up to 1000 amps. The Donut (also known as a "Toroid") is placed around one of the legs of the device being monitored, and emits up to a 5 amp signal. Each Donut Transformer, rated at 2 volt amps, comes with 2' long secondary leads.

### Model 186 Current Transformer

### Ordering Information

Range	VA	Catalog Number
0-5 amp	0.75	01312
0-10 amp	1.45	01314
0-15 amp	1.05	01315
0-20 amp	1.04	01316
0-25 amp	1.50	01317
0-30 amp	1.10	01318
0-40 amp	1.09	01319
0-50 amp	1.90	01321
0-100 mA	0.50	01295
0-500 mA	0.53	01304



Model 186 Current Transformers easily convert a current signal (up to 50 A) into a 0-10 AC volt signal and transmit the signal over a long distance. This allows remote monitoring of a process or application.

These units can be coupled with a Donut Current Transformer if a high current rating (up to 1000 amps) is to be monitored at a remote location.