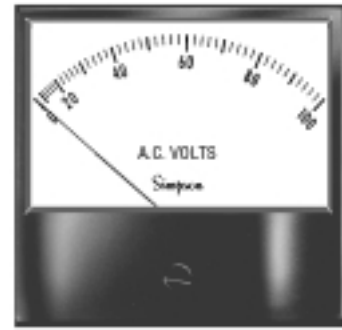




AC Voltage Century Style

- UL Recognized
- Phenolic Cases
- Rectifier or Iron-Vane Type Movements
- Glass Windows
- Three Popular Sizes: 2-1/2", 3-1/2" and 4-1/2"



An attractive design for industrial or commercial applications, the Century offers maximum reliability and is accurate to $\pm 2\%$ of full scale (F.S.) for iron-vane meters and $\pm 3\%$ of full scale (F.S.) for rectifier type. The Century offers self-shielded movements which are unaffected by magnetic fields or panel mounting. Models are available to measure various voltage ranges up to 500 volts AC and are calibrated at 60Hz.

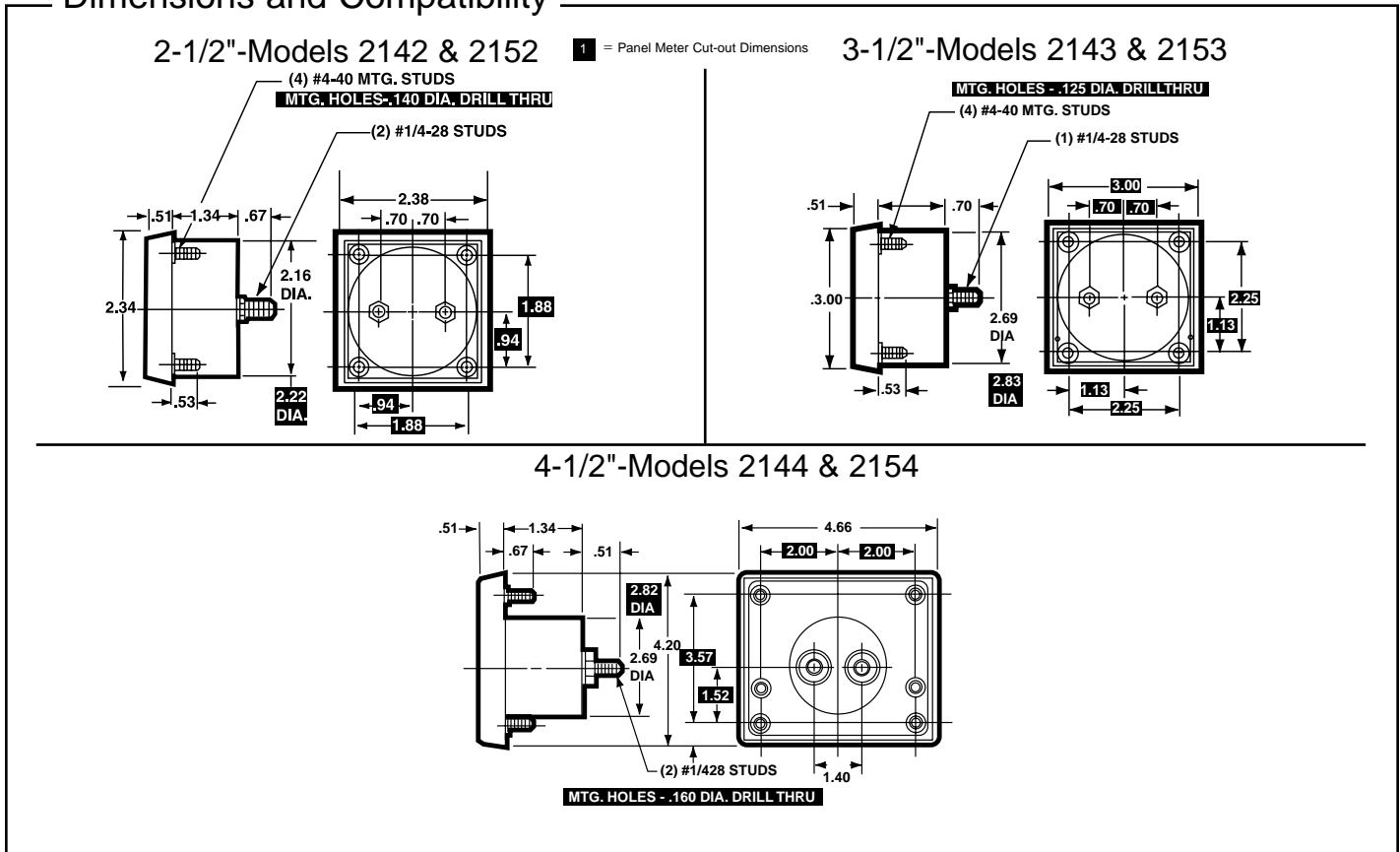
These easy-to-read meters are molded in a black phenolic housing with a large glass viewing window and come in three different sizes from 2-1/2" to 4-1/2". All models offered are self-contained through 300 volts. Higher range readings require an external multiplier (supplied). This style meter is ideal for many other electrical functions. See "Function Reference Table."

| Model Number | Size | Meter Movement |
|--------------|--------|-------------------------------|
| 2142/2152 | 2-1/2" | Annular-Rectifier / Iron-Vane |
| 2143/2153 | 3-1/2" | Annular-Rectifier / Iron-Vane |
| 2144/2154 | 4-1/2" | Annular-Rectifier / Iron-Vane |

Compatibility Reference Table

| Manufacturer | Size/Model | | |
|--------------------|------------|---------|---------|
| | 2-1/2" | 3-1/2" | 4-1/2" |
| Crompton Amerint | 233 | 235 | 237 |
| Hoyt | 4026 | 4036 | 4046 |
| Modutec S Series | 2S- | 3S- | 4S- |
| Triplet G Series | 230-GL | 330-GL | 430-GL |
| Weston 2000 Series | 2024 | 2034 | 2044 |
| Yokogawa Horizon | 251-210 | 251-310 | 251-410 |

Dimensions and Compatibility



Specification

Accuracy: ±2% F.S. (iron-vane); ±3% F.S. (rectifier)
Movement: Models 2152, 2153, 2154: Iron-vane, magnetically damped

Suspension: Pivot and jewel
Tracking: ±3%
Shielding: Calibration is unaffected by magnetic panel mounting.

Response Time: 1.5 seconds maximum
Overload (1 sec.): 10 times F.S.
Overload (Continuous): 2%

Dial: Sharp clear scale. Each dial arc is calibrated to track the specific type of movement used.

Case: High density black phenolic
Operating Temperature: -4°F to +149°F (-20°C to +65°C)

Resistance: ±15%
Pointer: Knife-edge, with black matte finish

Scale Length: Model 2142: 2.07" (52.7mm); 2153: 2.48" (63.0mm)
 Model 2143: 2.75" (69.8mm); 2154: 3.68" (94.2mm)
 Model 2144: 4.09" (103.9mm)

Net Weight: Model 2142: 7oz (0.20kg); 2153: 6oz (0.17kg)
 Model 2143: 8oz (0.17kg); 2154: 9oz (0.26kg)
 Model 2144: 11oz (0.31kg)

Ordering Information

AC Voltage Meters Iron-Vane Type Movement

| Range | Approx. Impedance (Ohms) | Model/Size and Catalog Number | | |
|--------|--------------------------|-------------------------------|-------------------|-------------------|
| | | 2-1/2" Model 2152 | 3-1/2" Model 2153 | 4-1/2" Model 2154 |
| 0-5 | 33 | < > | 17725 | < > |
| 0-10 | 133 | 17685 | 17726 | 17771 |
| 0-15 | 300 | 17686 | 17727 | 17772 |
| 0-25 | 833 | 17687 | 17728 | 17773 |
| 0-50 | 3,333 | 17688 | 17729 | 17774 |
| 0-100 | 16,666 | < > | 17730 | 17775 |
| 0-150 | 25,000 | 17690 | 17731 | 17776 |
| 0-250 | 41,166 | 17691 | 17732 | 17777 |
| 0-300 | 50,000 | 17692 | 17733 | 17778 |
| 0-500† | 83,333 | < > | 17734 | 17779 |

AC Voltage Meters Rectifier Type Self-Shielding

| Range | Approx. Impedance (Ohms) | Model/Size and Catalog Number | | |
|-------|--------------------------|-------------------------------|-------------------|-------------------|
| | | 2-1/2" Model 2142 | 3-1/2" Model 2143 | 4-1/2" Model 2144 |
| 0-5 | 2000 ohms per volt | 17460 | 17542 | 17640 |
| 0-10 | | < > | 17543 | 17641 |
| 0-15 | | < > | 17544 | 17642 |
| 0-50 | | < > | 17545 | 17643 |
| 0-150 | | 17462 | 17546 | 17644 |
| 0-300 | | < > | < > | 17645 |

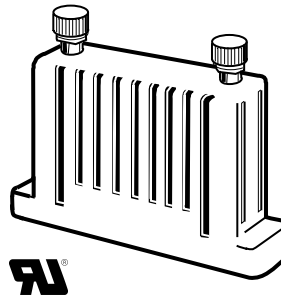
AC Dual Range Ammeter/Voltage Meter Models

| Range | Approx. Impedance (Ohms) | Model/Size and Catalog Number | | | |
|-----------------|--------------------------|-------------------------------|-------------------|-------------------|-------------------|
| | | 1-1/2" Model 2141 | 2-1/2" Model 2142 | 3-1/2" Model 2143 | 4-1/2" Model 2144 |
| 0-150V and 0-5A | 15,030 and 0.021 | — | — | 17694 | 17739 |

† External multipliers, Model 183 are furnished on AC meters having a range of 500 volts or higher. All others have self-contained multipliers.
 < > Available on special order.

Accessories

Model 183 Multiplier



The Model 183 external multiplier enables an iron-vane type voltage meter to monitor up to 1000 AC volts. An external multiplier is used with a 150 AC voltage meter that is scaled proportionally to your measurement range. Simpson's AC meters having a range of 500 volts or higher are furnished with the Model 183. Simpson's external multipliers are available for immediate delivery from your local distributor. Other intermediate ranges are available on special order.

Ordering Information AC Volts 166 Ohms/Volt

| Range | Approx. Impedance (Ohms) @ 60 Hz | Volt Drop | Meter Volt Drop | Catalog Number |
|--------|----------------------------------|-----------|-----------------|----------------|
| 0-500 | 58,333 | 350 | 150 | 08562 |
| 0-600 | 75,000 | 450 | 150 | 08563 |
| 0-750 | 100,000 | 600 | 150 | 08564 |
| 0-1000 | 141,666 | 850 | 150 | 08565 |

Function Reference

For your convenience, the table below lists Century models for other electrical monitoring functions with page number reference.

| Function | Section | Page |
|------------|---------|------|
| AC Current | E | 15 |
| DC Current | E | 55 |
| DC Voltage | E | 75 |
| Watts | E | 107 |