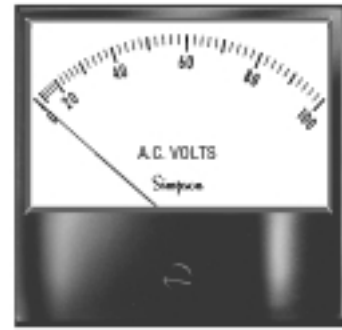




AC Voltage Century Style

- UL Recognized
- Phenolic Cases
- Rectifier or Iron-Vane Type Movements
- Glass Windows
- Three Popular Sizes: 2-1/2", 3-1/2" and 4-1/2"



An attractive design for industrial or commercial applications, the Century offers maximum reliability and is accurate to $\pm 2\%$ of full scale (F.S.) for iron-vane meters and $\pm 3\%$ of full scale (F.S.) for rectifier type. The Century offers self-shielded movements which are unaffected by magnetic fields or panel mounting. Models are available to measure various voltage ranges up to 500 volts AC and are calibrated at 60Hz.

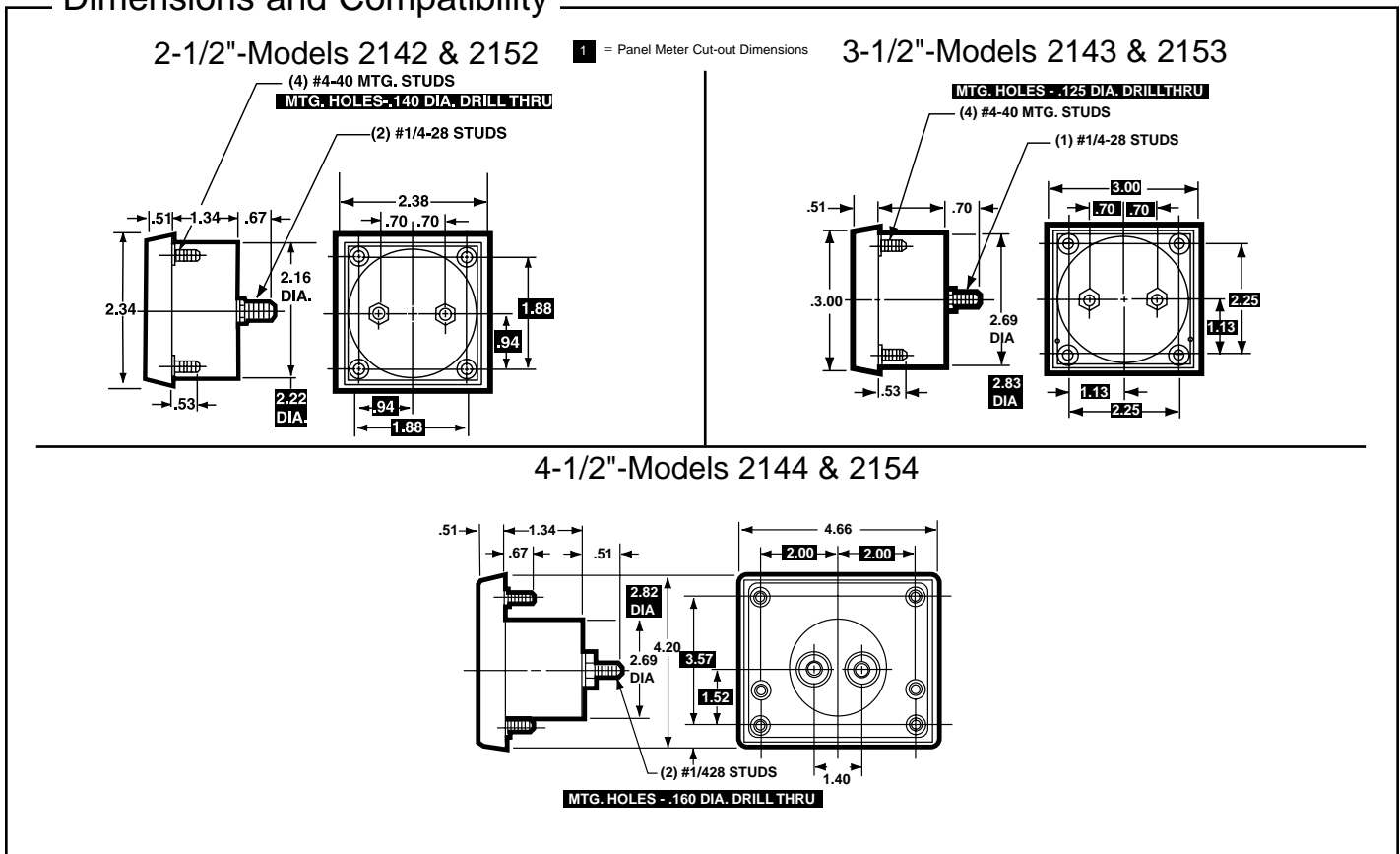
These easy-to-read meters are molded in a black phenolic housing with a large glass viewing window and come in three different sizes from 2-1/2" to 4-1/2". All models offered are self-contained through 300 volts. Higher range readings require an external multiplier (supplied). This style meter is ideal for many other electrical functions. See "Function Reference Table."

Model Number	Size	Meter Movement
2142/2152	2-1/2"	Annular-Rectifier / Iron-Vane
2143/2153	3-1/2"	Annular-Rectifier / Iron-Vane
2144/2154	4-1/2"	Annular-Rectifier / Iron-Vane

Compatibility Reference Table

Manufacturer	Size/Model		
	2-1/2"	3-1/2"	4-1/2"
Crompton Amerint	233	235	237
Hoyt	4026	4036	4046
Modutec S Series	2S-	3S-	4S-
Triplet G Series	230-GL	330-GL	430-GL
Weston 2000 Series	2024	2034	2044
Yokogawa Horizon	251-210	251-310	251-410

Dimensions and Compatibility



Specification

Accuracy: ±2% F.S. (iron-vane); ±3% F.S. (rectifier)
Movement: Models 2152, 2153, 2154: Iron-vane, magnetically damped

Suspension: Pivot and jewel
Tracking: ±3%
Shielding: Calibration is unaffected by magnetic panel mounting.

Response Time: 1.5 seconds maximum
Overload (1 sec.): 10 times F.S.
Overload (Continuous): 2%

Dial: Sharp clear scale. Each dial arc is calibrated to track the specific type of movement used.

Case: High density black phenolic
Operating Temperature: -4°F to +149°F (-20°C to +65°C)

Resistance: ±15%
Pointer: Knife-edge, with black matte finish

Scale Length: Model 2142: 2.07" (52.7mm); 2153: 2.48" (63.0mm)
 Model 2143: 2.75" (69.8mm); 2154: 3.68" (94.2mm)
 Model 2144: 4.09" (103.9mm)

Net Weight: Model 2142: 7oz (0.20kg); 2153: 6oz (0.17kg)
 Model 2143: 8oz (0.17kg); 2154: 9oz (0.26kg)
 Model 2144: 11oz (0.31kg)

Ordering Information

AC Voltage Meters Iron-Vane Type Movement

Range	Approx. Impedance (Ohms)	Model/Size and Catalog Number		
		2-1/2" Model 2152	3-1/2" Model 2153	4-1/2" Model 2154
0-5	33	< >	17725	< >
0-10	133	17685	17726	17771
0-15	300	17686	17727	17772
0-25	833	17687	17728	17773
0-50	3,333	17688	17729	17774
0-100	16,666	< >	17730	17775
0-150	25,000	17690	17731	17776
0-250	41,166	17691	17732	17777
0-300	50,000	17692	17733	17778
0-500†	83,333	< >	17734	17779

AC Voltage Meters Rectifier Type Self-Shielding

Range	Approx. Impedance (Ohms)	Model/Size and Catalog Number		
		2-1/2" Model 2142	3-1/2" Model 2143	4-1/2" Model 2144
0-5	2000 ohms per volt	17460	17542	17640
0-10		< >	17543	17641
0-15		< >	17544	17642
0-50		< >	17545	17643
0-150		17462	17546	17644
0-300		< >	< >	17645

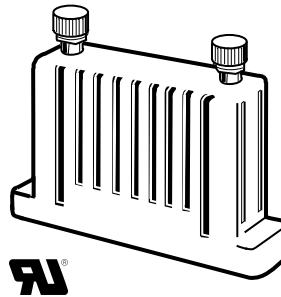
AC Dual Range Ammeter/Voltage Meter Models

Range	Approx. Impedance (Ohms)	Model/Size and Catalog Number			
		1-1/2" Model 2141	2-1/2" Model 2142	3-1/2" Model 2143	4-1/2" Model 2144
0-150V and 0-5A	15,030 and 0.021	—	—	17694	17739

† External multipliers, Model 183 are furnished on AC meters having a range of 500 volts or higher. All others have self-contained multipliers.
 < > Available on special order.

Accessories

Model 183 Multiplier



The Model 183 external multiplier enables an iron-vane type voltage meter to monitor up to 1000 AC volts. An external multiplier is used with a 150 AC voltage meter that is scaled proportionally to your measurement range. Simpson's AC meters having a range of 500 volts or higher are furnished with the Model 183. Simpson's external multipliers are available for immediate delivery from your local distributor. Other intermediate ranges are available on special order.

Ordering Information AC Volts 166 Ohms/Volt

Range	Approx. Impedance (Ohms) @ 60 Hz	Volt Drop	Meter Volt Drop	Catalog Number
0-500	58,333	350	150	08562
0-600	75,000	450	150	08563
0-750	100,000	600	150	08564
0-1000	141,666	850	150	08565

Function Reference

For your convenience, the table below lists Century models for other electrical monitoring functions with page number reference.

Function	Section	Page
AC Current	E	15
DC Current	E	55
DC Voltage	E	75
Watts	E	107