



- UL Recognized
- Phenolic Cases
- Distinctive Case Style
- Glass Windows
- Four Popular Sizes: 1-1/2", 2-1/2", 3-1/2" and 4-1/2"



An attractive design for industrial or commercial applications, the Century offers maximum reliability and is accurate to ± 2 percent full scale (F.S.) on all readings. The Century offers self-shielding movement which is unaffected by magnetic fields or panel mounting. Models are available to measure current ranges up to 500 amps.

These easy-to-read meters, molded in a black phenolic housing with a large glass viewing window, come in four different sizes from 1-1/2 to 4-1/2 inches. The 1-1/2" meters are self-contained through 10 amps, whereas the 2-1/2", 3-1/2" and 4-1/2" meters are self-contained through 50 amps. Higher range readings require an external shunt. Custom dials can be ordered to fit your specific application. This style meter is ideal for many other electrical functions. See "Function Reference Table."

Model Number	Size	Meter Movement
2121, 2121T	1-1/2"	Small Core Magnet
2122, 2122T	2-1/2"	Annular
2123, 2123T	3-1/2"	Annular
2124, 2124T	4-1/2"	Annular

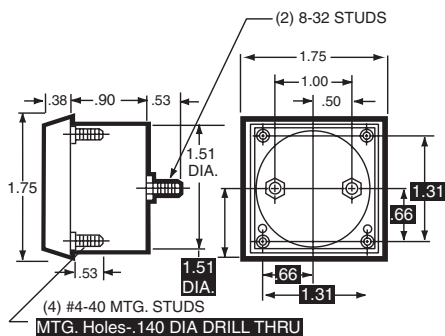
Compatibility Reference Table

Manufacturer	Size/Model		
	2-1/2"	3-1/2"	4-1/2"
Beede QAS-	25	35	45
Crompton Amerint	233	235	237
Hoyt	4025	4035	4045
Modutec S Series	2S-	3S-	4S-
Triplett G Series	220-GL	320-GL	420-GL
Weston 2000 Series	2021	2031	2041
Yokogawa Horizon	251-220	251-320	251-420

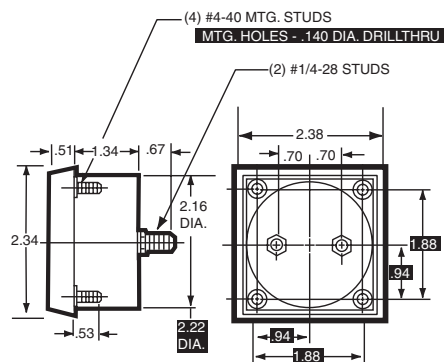
Dimensions and Compatibility

NOTE: "T" Model suffix used for taut-band movement

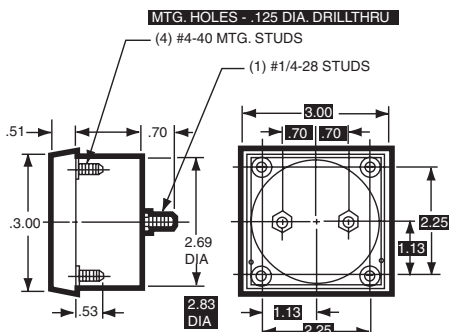
1-1/2"-Model 2121 & 2121T



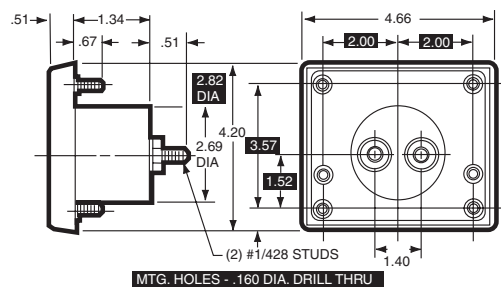
2-1/2"-Models 2122 & 2122T



3-1/2"-Models 2123 & 2123T



4-1/2"-Models 2124 & 2124T



Specification

Accuracy:	±2% F.S.
Movement:	Annular self-shielding; all models except Model 2121 and 2121T with small core magnet
Suspension:	Models: 2121, 2122, 2123, 2124: pivot and jewel; Models: 2121T, 2122T, 2123T, 2124T: taut band ±3%
Tracking:	±3%
Shielding:	Calibration is unaffected by magnetic panel mounting.
Response Time:	1.5 seconds maximum
Overload (1 sec.):	10 times F.S.
Overload (Continuous):	1.5 times F.S.
Repeatability:	2%: pivot and jewel; 0.5%: taut band
Dial:	Sharp clear scale. Each dial arc is calibrated to track the specific type of movement used.

Operating Temperature:	-4°F to +149°F (-20°C to +65°C)
Case:	High density black phenolic
Pointer:	Knife-edge, with black matte finish
Scale Length:	Model 2121 & 2121T: 1.25" (31.7mm) Model 2122 & 2122T: 2.07" (52.7mm) Model 2123 & 2123T: 2.75" (69.8mm) Model 2124 & 2124T: 4.09" (103.9mm)
Net Weight:	Model 2121 & 2121T: 2oz (0.06kg) Model 2122 & 2122T: 7oz (0.20kg) Model 2123 & 2123T: 8oz (0.23kg) Model 2124 & 2124T: 11oz (0.31kg)

Ordering Information

DC Milliammeters Self-Shielding Meter Movement

Range	Approx. Impedance (Ohms)	Model/Size and Catalog Number			
		1-1/2" Model 2121	2-1/2" Model 2122	3-1/2" Model 2123	4-1/2" Model 2124
0-1	43.0	17825	17430	17510	17600
0-3	2.0	<>	17431	17511	17601
0-5	2.0 (20)†	17826	17432	17512	17602
0-10	10.0 (2.2)†	17827	17433	17513	17603
0-15	6.6 (2.2)†	17828	17434	<>	<>
0-20	5.0	<>	<>	17515	<>
0-25	4.0 (6.0)†	17829	17436	17516	17606
0-50	2.0 (3.0)†	17830	17437	17517	17607
0-100	1.0 (1.5)†	17832	17438	17518	17608
0-150	.66 (1.0)†	17833	17439	17519	17609
0-200	.50 (.75)†	17834	17440	17520	17610
0-250	.40 (.60)†	17835	17441	17521	17611
0-300	.33 (.50)†	17836	17442	17522	17612
0-500	.20 (.30)†	17837	17443	17523	17613
0-750	.13	<>	<>	17524	17614
0-1000	.05	<>	17444	<>	17615

<> Available on special order.
† Resistances of Model 2121 shown in ()

DC Current Meters Self-Shielding Meter Movement

Range	Approx. Impedance (Ohms)	Model/Size and Catalog Number			
		1-1/2" Model 2121	2-1/2" Model 2122	3-1/2" Model 2123	4-1/2" Model 2124
0-1	.050	17800	17400	17475	17565
0-1.5	.003	<>	17401	17476	<>
0-2	.025	17801	17402	17477	17567
0-3	.0166	17802	17403	17478	17568
0-5	.010	17803	17404	17479	17569
0-10	.005	17805	17405	17480	17570
0-15	.0033	17806†	17406	17481	17571
0-25	.0020	17807†	17407	17482	17572
0-30	.0017	<>	17408	17483	17573
0-50	.001	17808†	17409	17484	17574
0-100	10.0	<>	17410†	17485†	17575†
0-150	10.0	<>	<>	17486†	17576†
0-200	10.0	<>	17412†	17487†	17577†
0-300	10.0	<>	<>	17488†	17578†
0-500	10.0	<>	<>	17489†	17579†
15-0-15	.0033	<>	<>	17490	<>
30-0-30	.0017	<>	<>	17491	<>

† 1-1/2" DC current meters are self-contained through 10 amps. 15 amps and higher are supplied as 50mV meters to be used with external shunts. 2-1/2", 3-1/2" and 4-1/2" DC current meters are self-contained through 50 amps. Higher range DC current meters are 50mV meters to be used with external shunts. <> Available on special order.

Function Reference

For your convenience, the table below lists Century models for other electrical monitoring functions and page reference.

Function	Section	Page
AC Current	E	15
AC Voltage	E	35
DC Voltage	E	75
Watts	E	107

DC Microammeters Self-Shielding Meter Movement

Range	Approx. Impedance (Ohms)	Model/Size and Catalog Number			
		1-1/2" Model 2121	2-1/2" Model 2122	3-1/2" Model 2123	4-1/2" Model 2124
0-50	1800 (5500)†	17815	17418	17499	17589
0-100	1800	17816	17420	17501	17591
0-200	1100	17818	17422	17503	17593
0-500	90 (190)†	17819	17424	17505	17595
25-0-25	1800 (5500)†	17820	<>	17506	17596
50-0-50	1800	17821	17425	17507	17597
100-0-100	1100	17822	17426	17508	17598
500-0-500	43	17823	17427	17509	17599

<> Available on special order.
† Resistances of Model 2121 shown in ()

Taut-Band DC Microammeters Self-Shielding Meter Movement

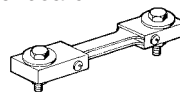
Range	Approx. Impedance (Ohms)	Model/Size and Catalog Number			
		1-1/2" Model 2121T	2-1/2" Model 2122T	3-1/2" Model 2123T	4-1/2" Model 2124T
0-10	4900	—	17415	17496	17586
0-15	1960	<>	17416	17497	17587
0-25	1960	<>	17417	17498	17588
0-50	960	<>	17419	17500	17590
0-100	500	<>	17421	17502	17592
0-200	234	<>	17423	<>	17594

<> Available on special order.

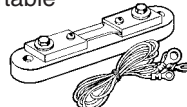
Accessories

External Portable and Switchboard Shunts

Switchboard



Portable



These shunts are adjusted for a 50 millivolt drop for use with switchboard and panel current meters where external shunts are required. Portable shunts have a phenolic base and accept up to 200 amperes. Accuracy ±1%, 5' leads (0.065 Ω resistance) included.

Please refer to the Accessory Section of this Engineering Application Guide for detail and ordering information.