

**FEATURES**

- Radial Format
- Up to 5.35A IDC
- 4.7 $\mu$ H to 10mH
- Low DC Resistance
- Compact Size
- Fully Tinned Leads
- MIL-I-23053/5 Class III Slewing
- Supplied in packs of 10
- Custom & Axial Parts Available

**DESCRIPTION**

The 1800R Series of inductors are particularly suited to use with a wide variety of switching regulators. Offering high current handling with a small footprint, the devices are ideal where space is at a premium.

**SELECTION GUIDE**

Order Code	Inductance $\pm 10\%$ (at 1kHz) $\mu$ H	DC Resistance m MAX	DC Current Continuous A MAX	Nominal Q at f kHz		Nominal Self Resonant Frequency MHz
				Q	f	
<b>18R472</b>	4.7 <sup>1</sup>	9	5.35	106	1000	35.1
<b>18R682</b>	6.8	12	4.15	73	500	26.3
<b>18R103</b>	10	15	3.45	59	500	23.8
<b>18R153</b>	15	18	3.00	55	500	17.0
<b>18R223</b>	22	25	2.42	51	500	14.1
<b>18R333</b>	33	40	2.00	48	500	11.5
<b>18R473</b>	47	55	1.65	46	500	9.85
<b>18R683</b>	68	70	1.35	27	100	8.29
<b>18R104</b>	100	100	1.20	40	100	7.40
<b>18R154</b>	150	165	1.10	40	100	5.58
<b>18R224</b>	220	230	0.90	39	100	4.00
<b>18R254</b>	250	255	0.80	40	100	3.85
<b>18R334</b>	330	335	0.73	49	100	3.57
<b>18R474</b>	470	465	0.60	50	100	2.81
<b>18R684</b>	680	630	0.53	48	100	2.43
<b>18R105</b>	1mH	1.0	0.44	92	50	1.82
<b>18R155</b>	1.5mH	1.5	0.33	106	50	1.60
<b>18R225</b>	2.2mH	2.2	0.30	106	50	1.41
<b>18R335</b>	3.3mH	3.5	0.22	139	50	1.04
<b>18R475</b>	4.7mH	4.6	0.20	126	40	0.87
<b>18R685</b>	6.8mH	7.0	0.15	143	40	0.71
<b>18R106</b>	10mH	12	0.13	142	40	0.58

**TYPICAL CORE CHARACTERISTICS**

Inductance Temperature Coefficient	Resistance Temperature Coefficient	Curie Temperature $T_C$	Saturation Flux $B_{SAT}$
430ppm	4000ppm	190°C	325mT

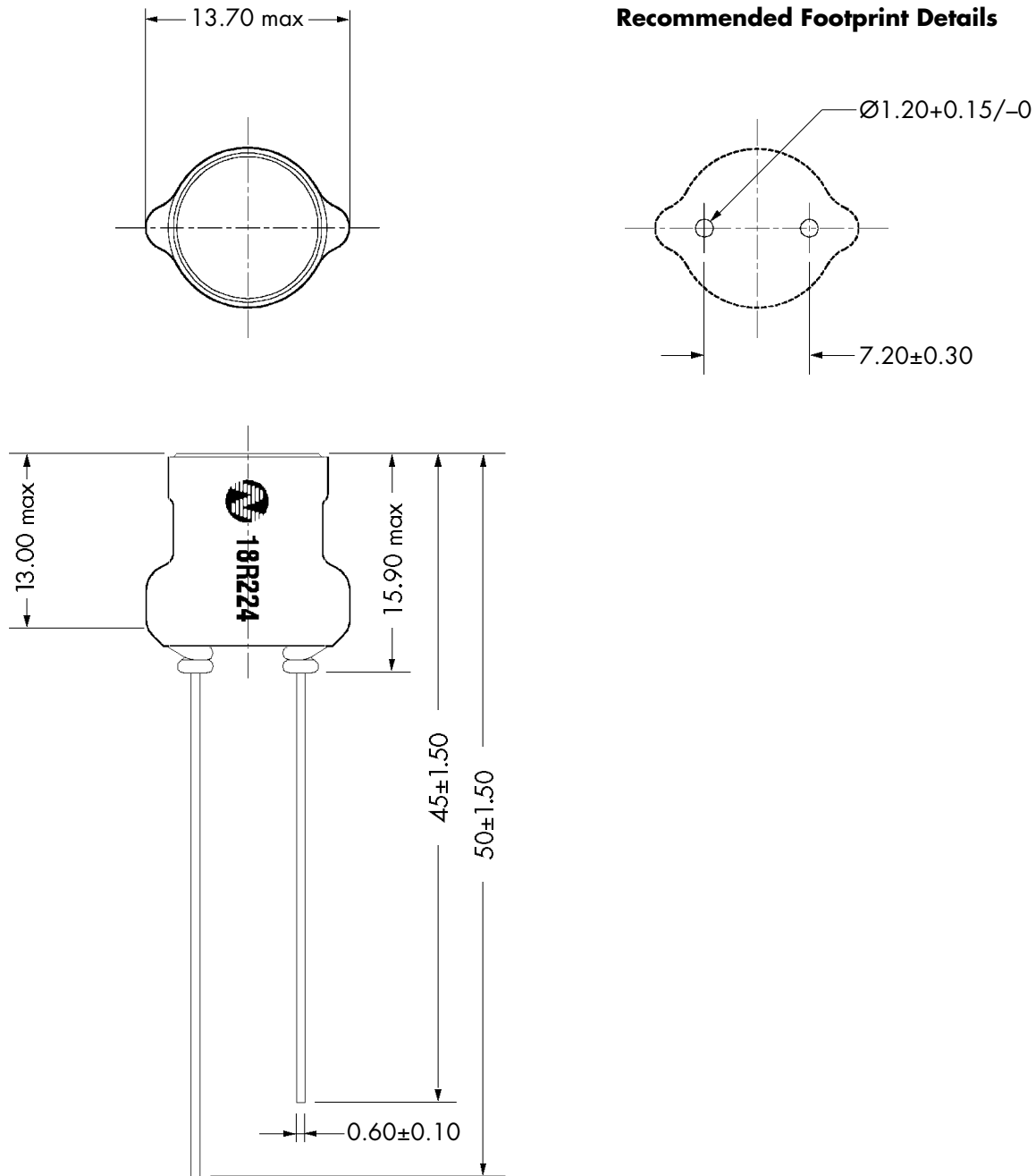
**ABSOLUTE MAXIMUM RATINGS**

Operating free air temperature range	0°C to 70°C
Storage temperature range	-55°C to 125°C

# 1800R SERIES

## Radial Lead Inductors

### MECHANICAL DIMENSIONS



All dimensions in mm

C&D Technologies (NCL) Limited reserve the right to alter or improve the specification, internal design or manufacturing process at any time, without notice. Please check with your supplier or visit our web site to ensure that you have the current and complete specification for your product before use.

© C&D Technologies (NCL) Limited 2000

NMP 1800R.2

No part of this publication may be copied, transmitted or stored in a retrieval system or reproduced in any way including, but not limited to, photography, photocopy, magnetic or other recording means, without prior written permission from C&D Technologies (NCL) Limited.

Instructions for use are available from [www.dc-dc.com](http://www.dc-dc.com)

**C&D Technologies (NCL) Ltd**  
Tanners Drive, Blakelands North  
Milton Keynes MK14 5BU, England  
Tel: +44 (0)1908 615232  
Fax: +44 (0)1908 617545  
email: [info@cdtechno-ncl.com](mailto:info@cdtechno-ncl.com)

**www: <http://www.dc-dc.com>**

**C&D Technologies (NCL), Inc.**  
8917 Glenwood Avenue, Raleigh  
NC 27612, USA  
Tel: +1 (919) 571-9405  
Fax: +1 (919) 571-9262  
email: [info@us.cdtechno-ncl.com](mailto:info@us.cdtechno-ncl.com)

**C&D TECHNOLOGIES**  
Power Solutions