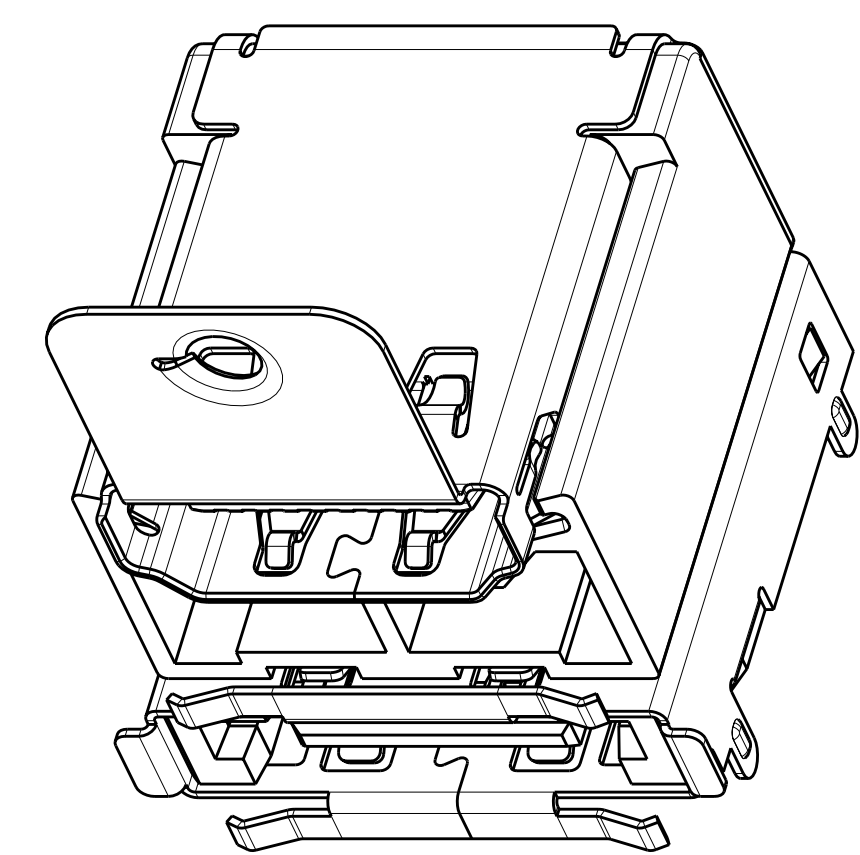
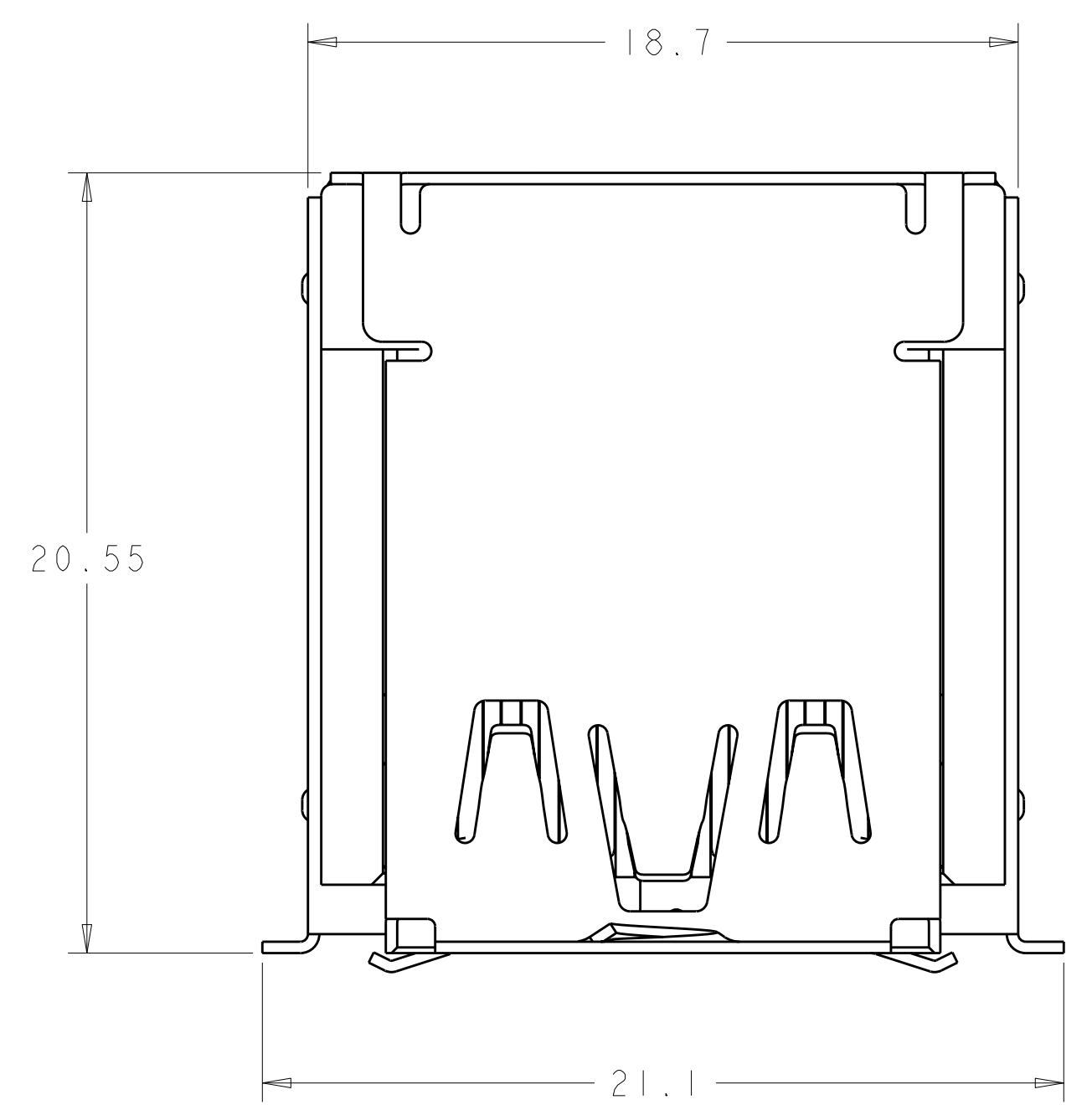


LOC	DIST	REVISIONS			
GP	00	REV	DATE	BY	APPD
		A	04MAY07	JDP	SLB
		B	10OCT07	JDP	SLB
		C	28MAR08	JDP	SLB

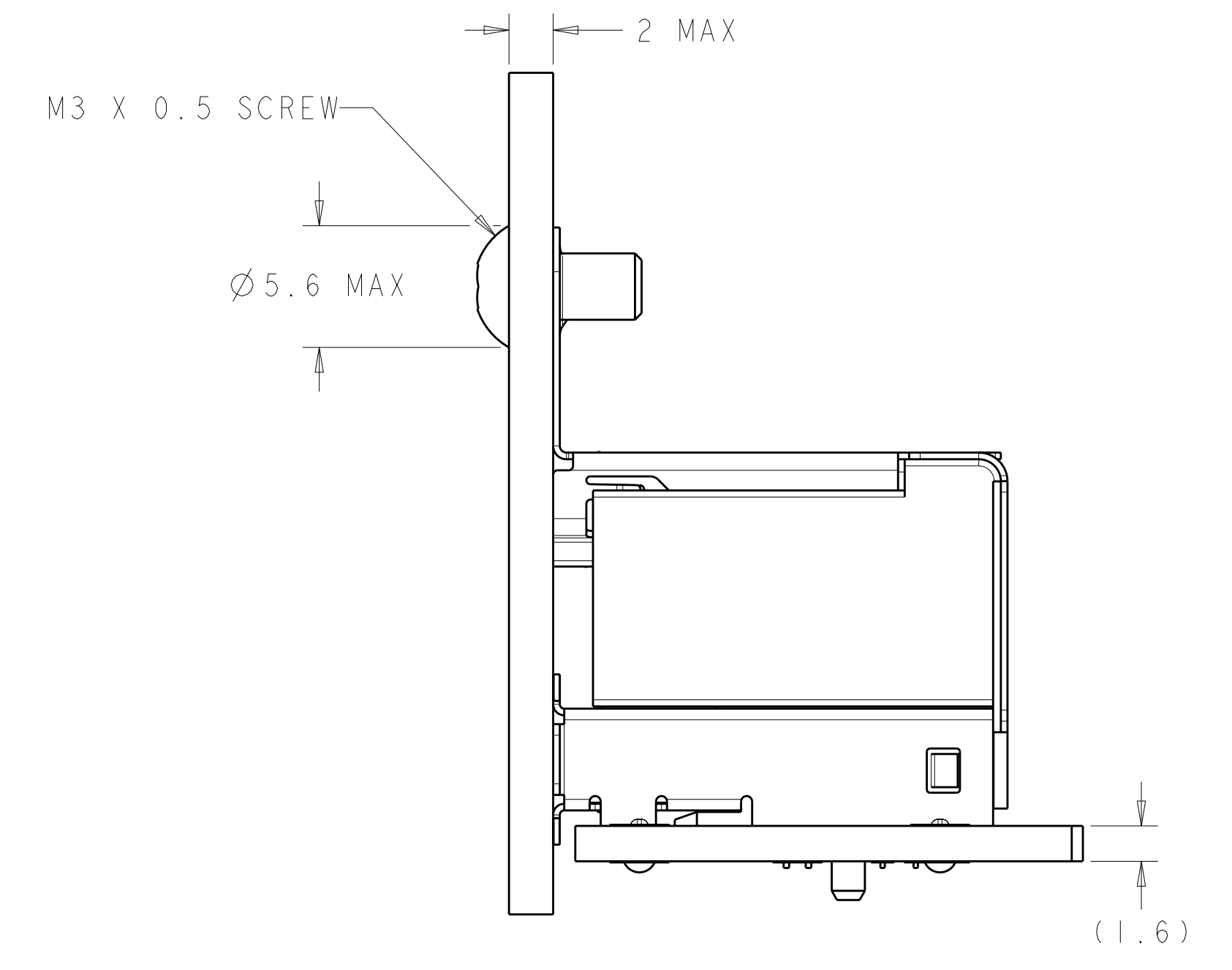
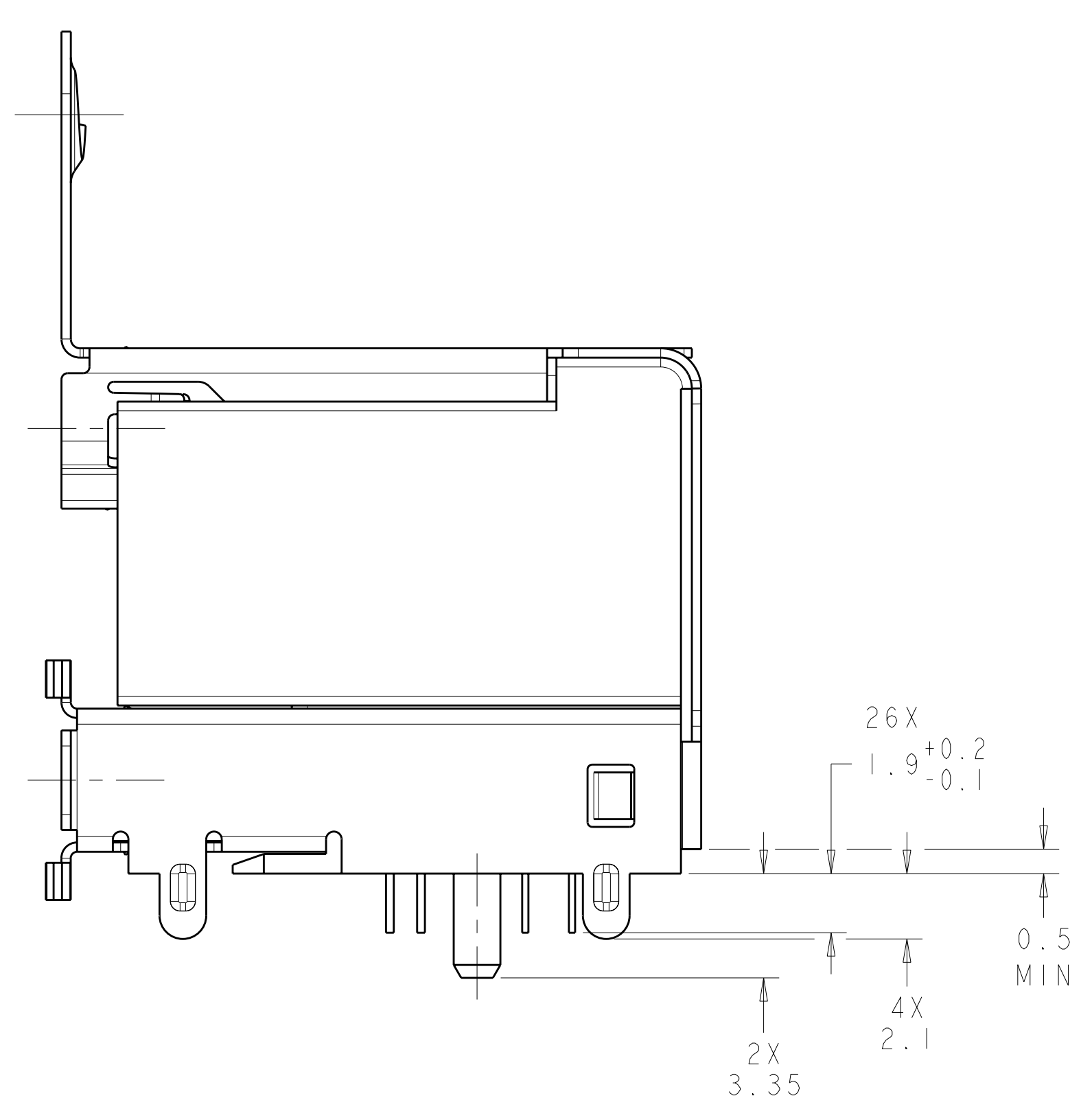
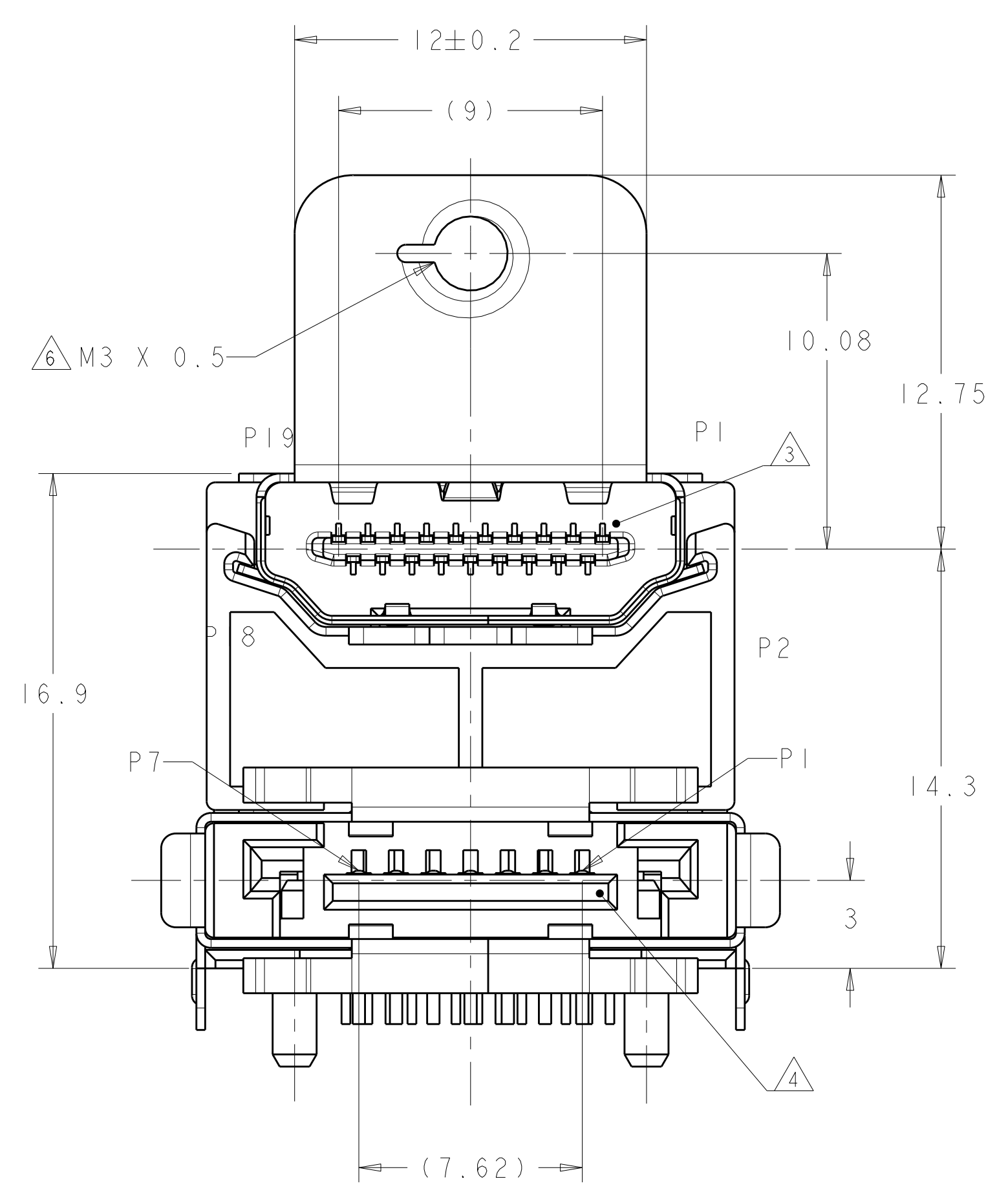


SCALE 4:1

**MATERIALS:**  
 HOUSING: HIGH TEMP THERMOPLASTIC, UL94V-0, BLACK.  
 CONTACTS: COPPER ALLOY  
 SHIELDS: STAINLESS STEEL

**FINISH:**  
 CONTACTS:  
 MATING AREA: 0.3µm MIN GOLD  
 SOLDER TAILS: 2µm MIN TIN  
 UNDERPLATE: 2µm MIN NICKEL  
 SHIELDS:  
 0.75µm MIN TIN OVER 0.8µm MIN NICKEL UNDERPLATE

**INTERFACE DIMENSIONS ARE PER HDMI SPECIFICATION VERSION 1.3.**  
**INTERFACE DIMENSIONS ARE PER SERIAL ATA REVISION 2.5.**  
 5. WAVE SOLDER COMPATIBLE PER 109-202, CONDITION B,  
 NO CLEAN FLUX IS RECOMMENDED.  
**APPLIED TORQUE MUST NOT EXCEED 4 kg-cm (3.47 in-lbs).**

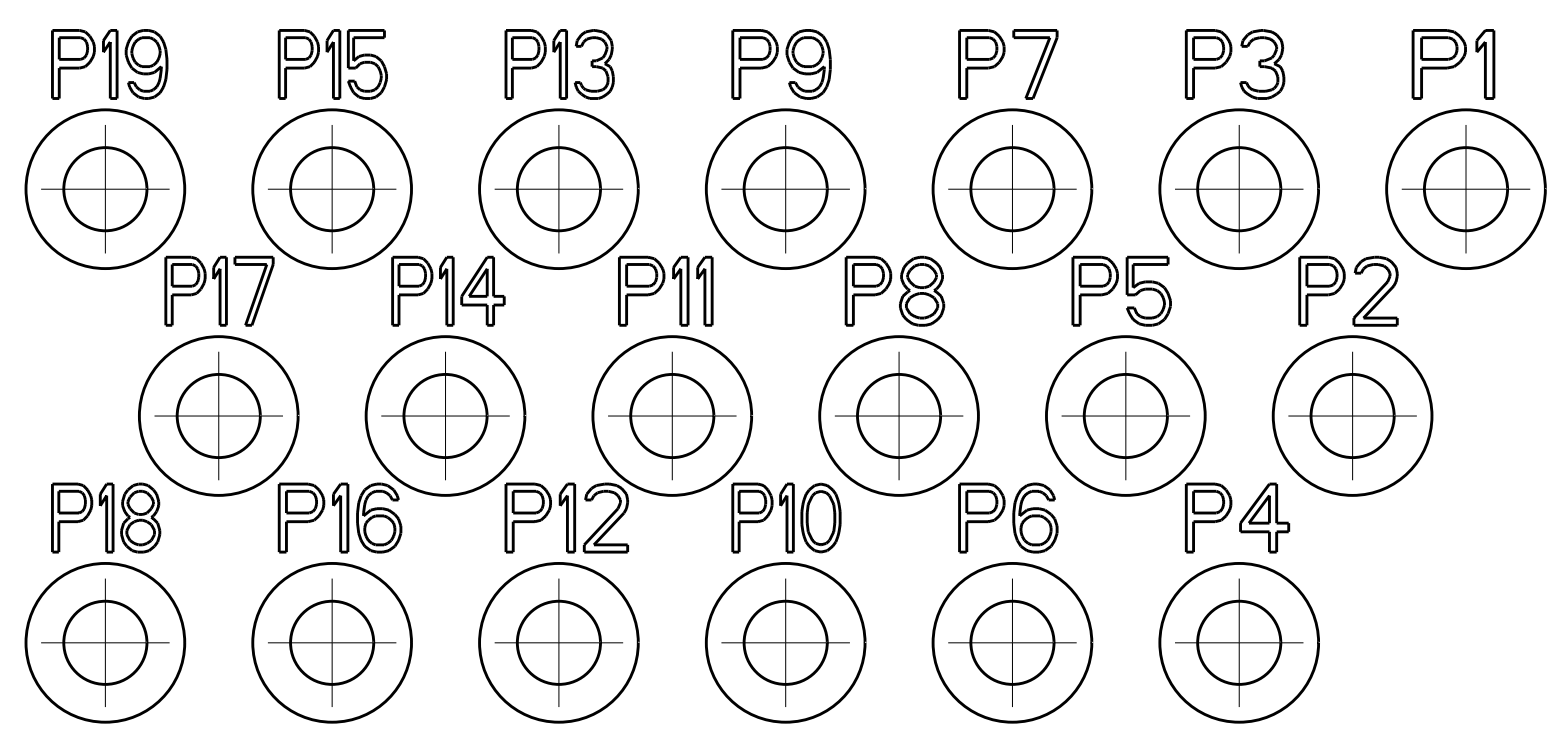


INSTALLED CONDITION  
 SCALE 4:1

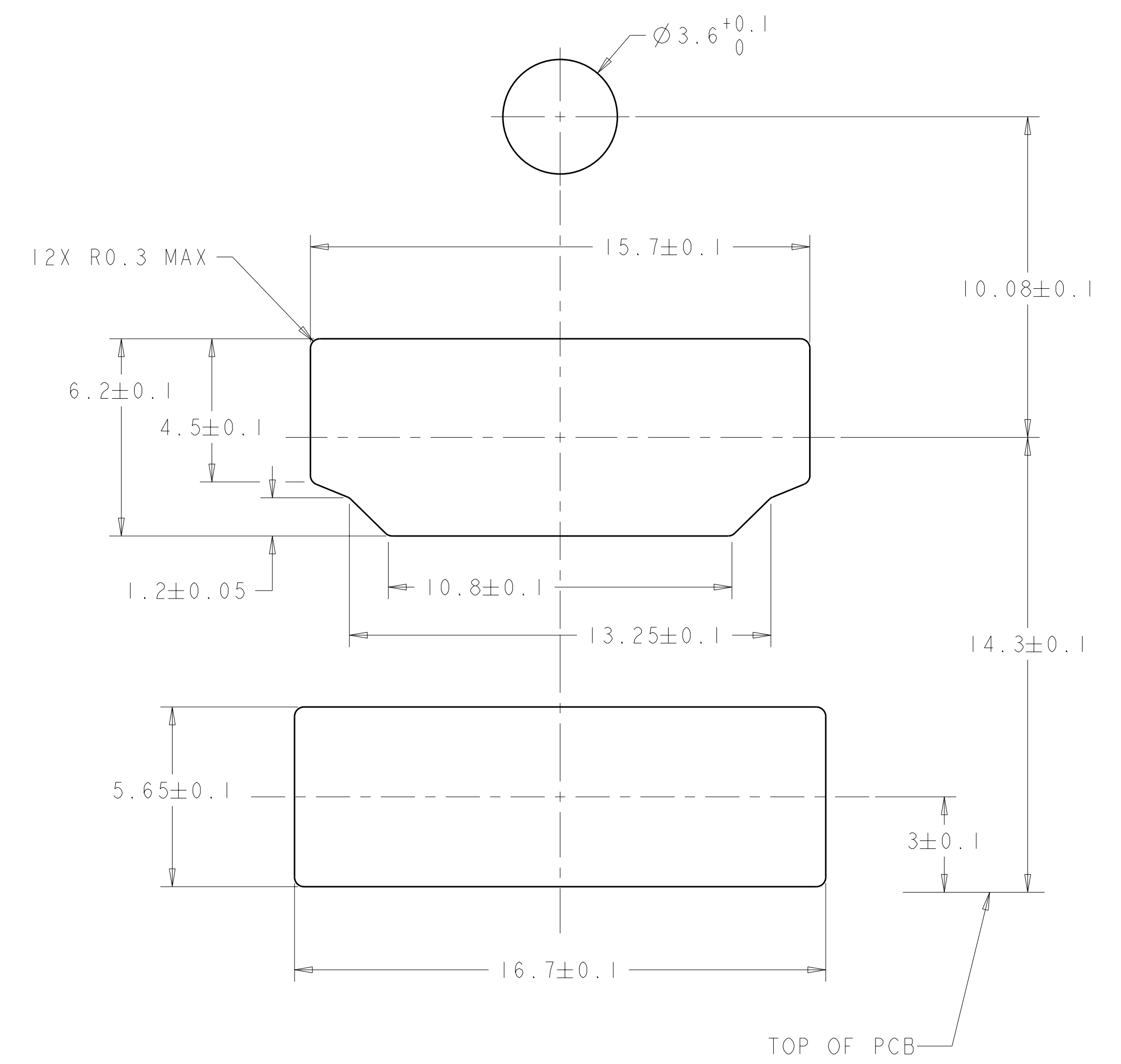
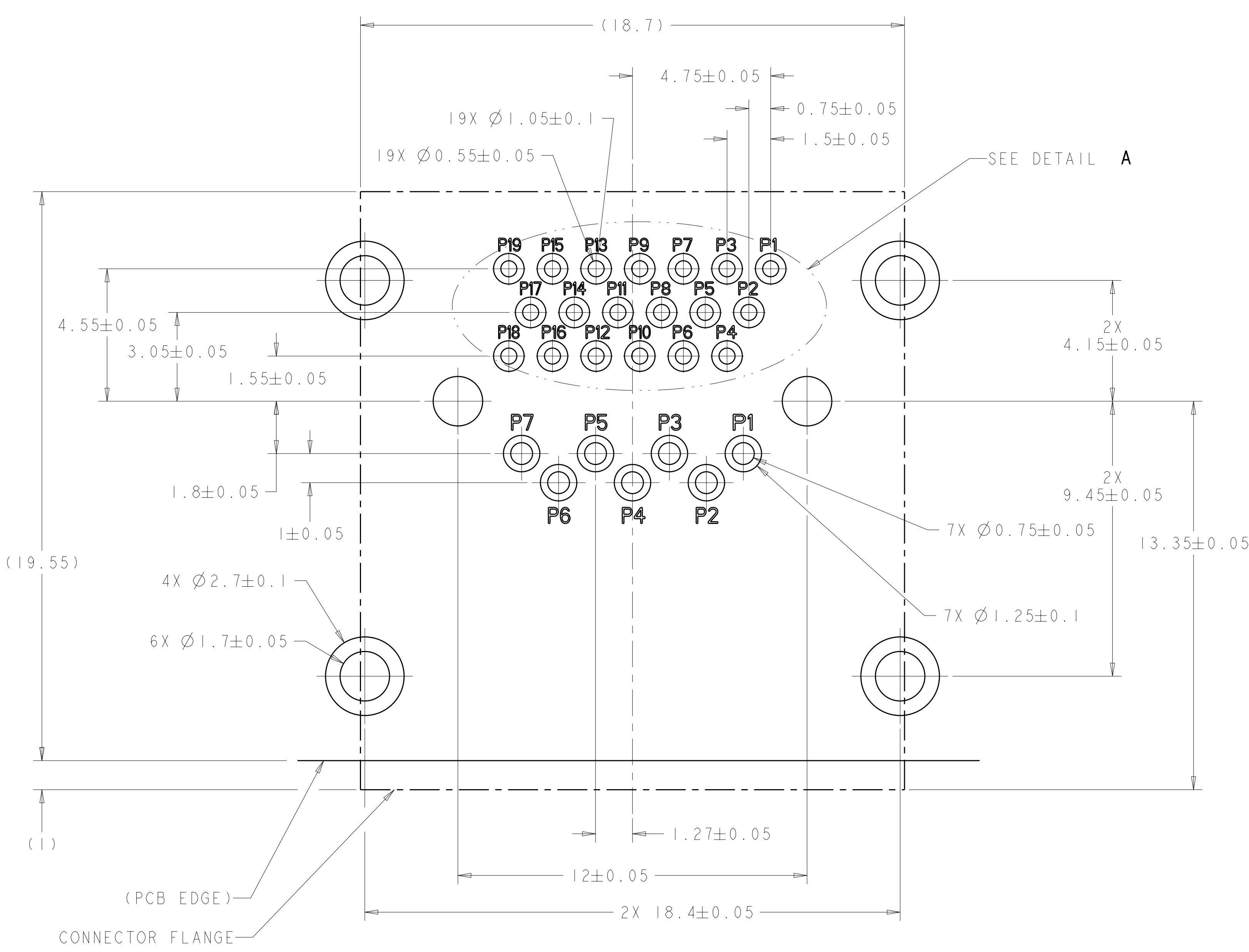
1888540-1  
 PART NO

DIMENSIONS: mm 		TOLERANCES UNLESS OTHERWISE SPECIFIED: 9 PLC ±0.3 1 PLC ±0.3 2 PLC ±0.3 3 PLC ±0.3 4 PLC ±0.3 ANGLES ±2°		DWN HAMNER 29JUN2006 CHK J. McCLELLAN 29JUN2006 APVD J. McCLELLAN 29JUN2006		Tyco Electronics Harrisburg, PA 17105-3608	
MATERIAL:		FINISH:		NAME: HDMI/E-SATA STACKED CONNECTOR ASSEMBLY		SIZE: CAGE CODE: DRAWING NO: A100779C-1888540	
CUSTOMER DRAWING		WEIGHT:		SCALE: 6:1		SHEET 1 OF 2 REV C	

LOC	DIST	REV	DATE	BY	APPD
GP	00				
REVISIONS					
		1			
		2			
		3			
		4			
		5			
		6			
		7			
		8			
		9			
		10			
		11			
		12			
		13			
		14			
		15			
		16			
		17			
		18			
		19			
		20			



DETAIL A  
 SCALE 20:1



RECOMMENDED PANEL CUTOUT  
 SCALE 8:1

PCB LAYOUT  
 SHOWN FROM CONNECTOR SIDE  
 TOLERANCES ARE NON-CUMULATIVE  
 SCALE 10:1

<small>THIS DRAWING IS UNPUBLISHED. RELEASED FOR PUBLICATION BY TYCO ELECTRONICS CORPORATION, ALL RIGHTS RESERVED.</small>		DWN HAMNER 29JUN2006 CHK J. McCLELLAN 29JUN2006 APVD J. McCLELLAN 29JUN2006	Tyco Electronics Harrisburg, PA 17105-3608
DIMENSIONS: mm 	TOLERANCES UNLESS OTHERWISE SPECIFIED: 9 PLC ±0.3 1 PLC ±0.3 2 PLC ±0.3 3 PLC ±0.3 4 PLC ±0.3 ANGLES ±0.3° FINISH	NAME PRODUCT SPEC APPLICATION SPEC WEIGHT CUSTOMER DRAWING	NAME HDMI/E-SATA STACKED CONNECTOR ASSEMBLY SIZE CAGE CODE DRAWING NO A100779C=1888540 SCALE 6:1 SHEET 2 OF 2 REV C