

Dual/Quad, Low Power CMOS Operational Amplifiers

The ICL761X/762X/764X series is a family of monolithic CMOS operational amplifiers. These devices provide the designer with high performance operation at low supply voltages and selectable quiescent currents. They are an ideal design tool when ultra low input current and low power dissipation are desired.

The basic amplifier will operate at supply voltages ranging from $\pm 1V$ to $\pm 8V$, and may be operated from a single Lithium cell. The output swing ranges to within a few millivolts of the supply voltages.

The quiescent supply current of these amplifiers is set to 3 different ranges at the factory. Both amps of the dual ICL7621 are set to an I_Q of $100\mu A$, while each amplifier of the quad ICL7641 and ICL7642 are set to an I_Q of $1mA$ and $10\mu A$ respectively. This results in power consumption as low as $20\mu W$ per amplifier.

Of particular significance is the extremely low ($1pA$) input current, input noise current of $0.01pA/\sqrt{Hz}$, and $10^{12}\Omega$ input impedance. These features optimize performance in very high source impedance applications.

The inputs are internally protected. Outputs are fully protected against short circuits to ground or to either supply.

AC performance is excellent, with a slew rate of $1.6V/\mu s$, and unity gain bandwidth of $1MHz$ at $I_Q = 1mA$.

Because of the low power dissipation, junction temperature rise and drift are quite low. Applications utilizing these features may include stable instruments, extended life designs, or high density packages.

Ordering Information

| PART NUMBER | TEMP. RANGE (°C) | PACKAGE | PKG. NO. |
|---------------|------------------|--|----------|
| ICL7621ACPA | 0 to 70 | 8 Ld PDIP - A Grade - $I_Q = 100\mu A$ | E8.3 |
| ICL7621BCPA | 0 to 70 | 8 Ld PDIP - B Grade - $I_Q = 100\mu A$ | E8.3 |
| ICL7621DCPA | 0 to 70 | 8 Ld PDIP - D Grade - $I_Q = 100\mu A$ | E8.3 |
| ICL7621AMTV | -55 to 125 | 8 Pin Metal Can - A Grade - $I_Q = 100\mu A$ | T8.C |
| ICL7621DCBA | 0 to 70 | 8 Ld SOIC - D Grade - $I_Q = 100\mu A$ | M8.15 |
| ICL7621DCBA-T | 0 to 70 | 8 Ld SOIC - D Grade - Tape and Reel - $I_Q = 100\mu A$ | M8.15 |
| ICL7641ECPD | 0 to 70 | 14 Ld PDIP - E Grade - $I_Q = 1mA$ | E14.3 |
| ICL7642ECPD | 0 to 70 | 14 Ld PDIP - E Grade - $I_Q = 10\mu A$ | E14.3 |

Features

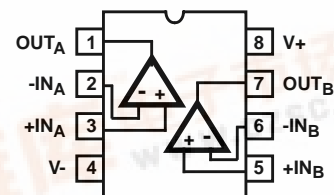
- Wide Operating Voltage Range $\pm 1V$ to $\pm 8V$
- High Input Impedance $10^{12}\Omega$
- Input Current Lower Than BIFETs $1pA$ (Typ)
- Output Voltage Swing $V+$ and $V-$
- Available as Duals and Quads (Refer to ICL7611 for Singles)
- Low Power Replacement for Many Standard Op Amps

Applications

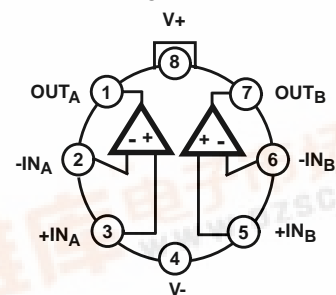
- Portable Instruments
- Telephone Headsets
- Hearing Aid/Microphone Amplifiers
- Meter Amplifiers
- Medical Instruments
- High Impedance Buffers

Pinouts

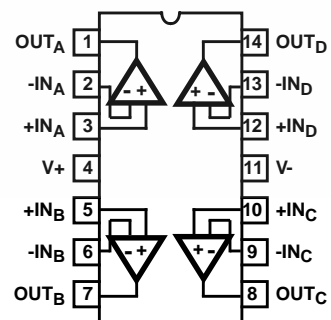
ICL7621 (PDIP, SOIC)
TOP VIEW



ICL7621 (METAL CAN)
TOP VIEW



ICL7641 (PDIP), ICL7642 (PDIP)
TOP VIEW



ICL7621, ICL7641, ICL7642

Absolute Maximum Ratings

| | |
|---|--------------------------|
| Supply Voltage V+ to V- | 18V |
| Input Voltage | V- -0.3 to V+ +0.3V |
| Differential Input Voltage (Note 1) | [(V+ +0.3) - (V- -0.3)]V |
| Duration of Output Short Circuit (Note 2) | Unlimited |

Operating Conditions

| | |
|-------------------|----------------|
| Temperature Range | |
| ICL76XXM | -55°C to 125°C |
| ICL76XXC | 0°C to 70°C |

Thermal Information

| | | |
|--|-------------------------------|----------------------|
| Thermal Resistance (Typical, Note 3) | θ_{JA} (°C/W) | θ_{JC} (°C/W) |
| SOIC Package | 160 | N/A |
| Metal Can Package | 160 | 75 |
| 8 Lead PDIP Package | 120 | N/A |
| 14 Lead PDIP Package | 80 | N/A |
| Maximum Junction Temperature (Hermetic Packages) | 175°C | |
| Maximum Junction Temperature (Plastic Package) | 150°C | |
| Maximum Storage Temperature Range | -65°C to 150°C | |
| Maximum Lead Temperature (Soldering 10s) | 300°C (SOIC - Lead Tips Only) | |

CAUTION: Stresses above those listed in "Absolute Maximum Ratings" may cause permanent damage to the device. This is a stress only rating and operation of the device at these or any other conditions above those indicated in the operational sections of this specification is not implied.

NOTES:

1. Long term offset voltage stability will be degraded if large input differential voltages are applied for long periods of time.
2. The outputs may be shorted to ground or to either supply, for $V_{SUPPLY} \leq 10V$. Care must be taken to insure that the dissipation rating is not exceeded.
3. θ_{JA} is measured with the component mounted on an evaluation PC board in free air.

Electrical Specifications $V_{SUPPLY} = \pm 5V$, Unless Otherwise Specified

| PARAMETER | SYMBOL | TEST CONDITIONS | TEMP. (°C) | ICL7621A | | | ICL7621B | | | ICL7621D | | | UNITS |
|--|--------------------------|--|------------|-----------|-----------|------|-----------|-----------|------|-----------|-----------|------|------------------|
| | | | | MIN | TYP | MAX | MIN | TYP | MAX | MIN | TYP | MAX | |
| Input Offset Voltage | V_{OS} | $R_S \leq 100k\Omega$ | 25 | - | - | 2 | - | - | 5 | - | - | 15 | mV |
| | | | Full | - | - | 3 | - | - | 7 | - | - | 20 | mV |
| Temperature Coefficient of V_{OS} | $\Delta V_{OS}/\Delta T$ | $R_S \leq 100k\Omega$ | - | - | 10 | - | - | 15 | - | - | 25 | - | $\mu V/^\circ C$ |
| Input Offset Current | I_{OS} | | 25 | - | 0.5 | 30 | - | 0.5 | 30 | - | 0.5 | 30 | pA |
| | | | 0 to 70 | - | - | 300 | - | - | 300 | - | - | 300 | pA |
| | | | -55 to 125 | - | - | 800 | - | - | 800 | - | - | 800 | pA |
| Input Bias Current | I_{BIAS} | | 25 | - | 1.0 | 50 | - | 1.0 | 50 | - | 1.0 | 50 | pA |
| | | | 0 to 70 | - | - | 400 | - | - | 400 | - | - | 400 | pA |
| | | | -55 to 125 | - | - | 4000 | - | - | 4000 | - | - | 4000 | pA |
| Common Mode Voltage Range | V_{CMR} | $I_Q = 100\mu A$ | 25 | ± 4.2 | - | - | ± 4.2 | - | - | ± 4.2 | - | - | V |
| Output Voltage Swing | V_{OUT} | $I_Q = 100\mu A$, $R_L = 100k\Omega$ | 25 | ± 4.9 | - | - | ± 4.9 | - | - | ± 4.9 | - | - | V |
| | | | 0 to 70 | ± 4.8 | - | - | ± 4.8 | - | - | ± 4.8 | - | - | V |
| | | | -55 to 125 | ± 4.5 | - | - | ± 4.5 | - | - | ± 4.5 | - | - | V |
| Large Signal Voltage Gain | A_{VOL} | $V_O = \pm 4.0V$, $R_L = 100k\Omega$, $I_Q = 100\mu A$ | 25 | 86 | 102 | - | 80 | 102 | - | 80 | 102 | - | dB |
| | | | 0 to 70 | 80 | - | - | 75 | - | - | 75 | - | - | dB |
| | | | -55 to 125 | 74 | - | - | 68 | - | - | 68 | - | - | dB |
| Unity Gain Bandwidth | GBW | $I_Q = 100\mu A$ | 25 | - | 0.48 | - | - | 0.48 | - | - | 0.48 | - | MHz |
| Input Resistance | R_{IN} | | 25 | - | 10^{12} | - | - | 10^{12} | - | - | 10^{12} | - | Ω |
| Common Mode Rejection Ratio | CMRR | $R_S \leq 100k\Omega$, $I_Q = 100\mu A$ | 25 | 76 | 91 | - | 70 | 91 | - | 70 | 91 | - | dB |
| Power Supply Rejection Ratio ($V_{SUPPLY} = \pm 8V$ to $\pm 2V$) | PSRR | $R_S \leq 100k\Omega$, $I_Q = 100\mu A$ | 25 | 80 | 86 | - | 80 | 86 | - | 80 | 86 | - | dB |
| Input Referred Noise Voltage | e_N | $R_S = 100\Omega$, $f = 1kHz$ | 25 | - | 100 | - | - | 100 | - | - | 100 | - | nV/\sqrt{Hz} |
| Input Referred Noise Current | i_N | $R_S = 100\Omega$, $f = 1kHz$ | 25 | - | 0.01 | - | - | 0.01 | - | - | 0.01 | - | pA/\sqrt{Hz} |
| Supply Current (Per Amplifier) | I_{SUPPLY} | No Signal, No Load, $I_Q = 100\mu A$ | 25 | - | 0.1 | 0.25 | - | 0.1 | 0.25 | - | 0.1 | 0.25 | mA |

ICL7621, ICL7641, ICL7642

Electrical Specifications $V_{SUPPLY} = \pm 5V$, Unless Otherwise Specified (Continued)

| PARAMETER | SYMBOL | TEST CONDITIONS | TEMP. (°C) | ICL7621A | | | ICL7621B | | | ICL7621D | | | UNITS |
|--------------------|-----------------|--|------------|----------|------|-----|----------|------|-----|----------|------|-----|------------|
| | | | | MIN | TYP | MAX | MIN | TYP | MAX | MIN | TYP | MAX | |
| Channel Separation | V_{O1}/V_{O2} | $A_V = 100$ | 25 | - | 120 | - | - | 120 | - | - | 120 | - | dB |
| Slew Rate | SR | $A_V = 1, C_L = 100pF,$ $V_{IN} = 8V_{P-P},$ $I_Q = 100\mu A,$ $R_L = 100k\Omega$ | 25 | - | 0.16 | - | - | 0.16 | - | - | 0.16 | - | V/ μs |
| Rise Time | t_R | $V_{IN} = 50mV,$ $C_L = 100pF,$ $I_Q = 100\mu A,$ $R_L = 100k\Omega$ | 25 | - | 2 | - | - | 2 | - | - | 2 | - | μs |
| Overshoot Factor | OS | $V_{IN} = 50mV,$ $C_L = 100pF,$ $I_Q = 100\mu A,$ $R_L = 100k\Omega$ | 25 | - | 10 | - | - | 10 | - | - | 10 | - | % |

Electrical Specifications $V_{SUPPLY} = \pm 5V$, Unless Otherwise Specified

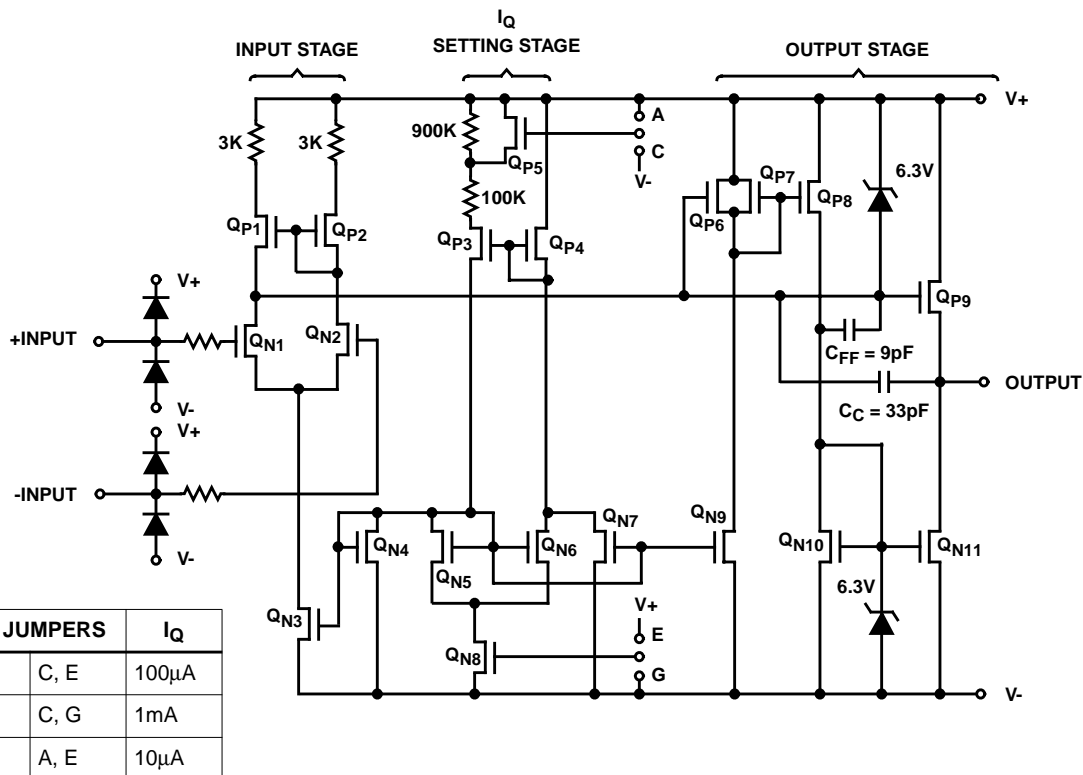
| PARAMETER | SYMBOL | TEST CONDITIONS | TEMP. (°C) | ICL7641E, ICL7642E | | | UNITS |
|--|--------------------------|---|------------|--------------------|-----------|------|------------------|
| | | | | MIN | TYP | MAX | |
| Input Offset Voltage | V_{OS} | $R_S \leq 100k\Omega$ | 25 | - | - | 20 | mV |
| | | | Full | - | - | 25 | mV |
| Temperature Coefficient of V_{OS} | $\Delta V_{OS}/\Delta T$ | $R_S \leq 100k\Omega$ | - | - | 30 | - | $\mu V/^\circ C$ |
| Input Offset Current | I_{OS} | | 25 | - | 0.5 | 30 | pA |
| | | | 0 to 70 | - | - | 300 | pA |
| | | | -55 to 125 | - | - | 800 | pA |
| Input Bias Current | I_{BIAS} | | 25 | - | 1.0 | 50 | pA |
| | | | 0 to 70 | - | - | 500 | pA |
| | | | -55 to 125 | - | - | 4000 | pA |
| Common Mode Voltage Range | V_{CMR} | $I_Q = 10\mu A, ICL7642$ | 25 | ± 4.4 | - | - | V |
| | | $I_Q = 1mA, ICL7641$ | 25 | ± 3.7 | - | - | V |
| Output Voltage Swing | V_{OUT} | ICL7642, $I_Q = 10\mu A, R_L = 1M\Omega$ | 25 | ± 4.9 | - | - | V |
| | | | 0 to 70 | ± 4.8 | - | - | V |
| | | | -55 to 125 | ± 4.7 | - | - | V |
| | | ICL7641, $I_Q = 1mA, R_L = 10k\Omega$ | 25 | ± 4.5 | - | - | V |
| | | | 0 to 70 | ± 4.3 | - | - | V |
| | | | -55 to 125 | ± 4.0 | - | - | V |
| Large Signal Voltage Gain | A_{VOL} | ICL7642, $V_O = \pm 4V, R_L = 1M\Omega,$ $I_Q = 10\mu A$ | 25 | 80 | 104 | - | dB |
| | | | 0 to 70 | 75 | - | - | dB |
| | | | -55 to 125 | 68 | - | - | dB |
| | | ICL7641, $V_O = \pm 4V, R_L = 10k\Omega, I_Q = 1mA$ | 25 | 76 | 98 | - | dB |
| | | | 0 to 70 | 72 | - | - | dB |
| | | | -55 to 125 | 68 | - | - | dB |
| Unity Gain Bandwidth | GBW | ICL 7642, $I_Q = 10\mu A$ | 25 | - | 0.044 | - | MHz |
| | | ICL 7641, $I_Q = 1mA$ | 25 | - | 1.4 | - | MHz |
| Input Resistance | R_{IN} | | 25 | - | 10^{12} | - | Ω |
| Common Mode Rejection Ratio | CMRR | ICL7642, $R_S \leq 100k\Omega, I_Q = 10\mu A$ | 25 | 70 | 96 | - | dB |
| | | ICL7641, $R_S \leq 100k\Omega, I_Q = 1mA$ | 25 | 60 | 87 | - | dB |
| Power Supply Rejection Ratio ($V_{SUPPLY} = \pm 8V$ to $\pm 2V$) | PSRR | ICL7642, $R_S \leq 100k\Omega, I_Q = 10\mu A$ | 25 | 80 | 94 | - | dB |
| | | ICL7641, $R_S \leq 100k\Omega, I_Q = 1mA$ | 25 | 70 | 77 | - | dB |

ICL7621, ICL7641, ICL7642

Electrical Specifications $V_{SUPPLY} = \pm 5V$, Unless Otherwise Specified (Continued)

| PARAMETER | SYMBOL | TEST CONDITIONS | TEMP. (°C) | ICL7641E, ICL7642E | | | UNITS |
|--|-----------------|---|------------|--------------------|-------|------|------------------------------|
| | | | | MIN | TYP | MAX | |
| Input Referred Noise Voltage | e_N | $R_S = 100\Omega, f = 1\text{kHz}$ | 25 | - | 100 | - | $\text{nV}/\sqrt{\text{Hz}}$ |
| Input Referred Noise Current | i_N | $R_S = 100\Omega, f = 1\text{kHz}$ | 25 | - | 0.01 | - | $\text{pA}/\sqrt{\text{Hz}}$ |
| Supply Current (Per Amplifier) (No Signal, No Load) | I_{SUPPLY} | ICL7642, $I_Q = 10\mu\text{A}$ Low Bias | 25 | - | 0.01 | 0.03 | mA |
| | | ICL7641, $I_Q = 1\text{mA}$ High Bias | 25 | - | 1.0 | 2.5 | mA |
| Channel Separation | V_{O1}/V_{O2} | $A_V = 100$ | 25 | - | 120 | - | dB |
| Slew Rate ($A_V = 1, C_L = 100\text{pF}, V_{IN} = 8V_{P-P}$) | SR | ICL7642, $I_Q = 10\mu\text{A}, R_L = 1\text{M}\Omega$ | 25 | - | 0.016 | - | $\text{V}/\mu\text{s}$ |
| | | ICL7641, $I_Q = 1\text{mA}, R_L = 10\text{k}\Omega$ | 25 | - | 1.6 | - | $\text{V}/\mu\text{s}$ |
| Rise Time ($V_{IN} = 50\text{mV}, C_L = 100\text{pF}$) | t_R | ICL7642, $I_Q = 10\mu\text{A}, R_L = 1\text{M}\Omega$ | 25 | - | 20 | - | μs |
| | | ICL7641, $I_Q = 1\text{mA}, R_L = 10\text{k}\Omega$ | 25 | - | 0.9 | - | μs |
| Overshoot Factor ($V_{IN} = 50\text{mV}, C_L = 100\text{pF}$) | OS | ICL7642, $I_Q = 10\mu\text{A}, R_L = 1\text{M}\Omega$ | 25 | - | 5 | - | % |
| | | ICL7641, $I_Q = 1\text{mA}, R_L = 10\text{k}\Omega$ | 25 | - | 40 | - | % |

Schematic Diagram



Application Information

Static Protection

All devices are static protected by the use of input diodes. However, strong static fields should be avoided, as it is possible for the strong fields to cause degraded diode junction characteristics, which may result in increased input leakage currents.

Latchup Avoidance

Junction-isolated CMOS circuits employ configurations which produce a parasitic 4-layer (PNPN) structure. The

4-layer structure has characteristics similar to an SCR, and under certain circumstances may be triggered into a low impedance state resulting in excessive supply current. To avoid this condition, no voltage greater than 0.3V beyond the supply rails may be applied to any pin. In general, the op amp supplies must be established simultaneously with, or before any input signals are applied. If this is not possible, the drive circuits must limit input current flow to 2mA to prevent latchup.

ICL7621, ICL7641, ICL7642

Choosing the Proper I_Q

Each device in the ICL76XX family has a similar I_Q setup scheme, which allows the amplifier to be set to nominal quiescent currents of $10\mu\text{A}$, $100\mu\text{A}$ or 1mA . These current settings change only very slightly over the entire supply voltage range. The ICL7611/12 have an external I_Q control terminal, permitting user selection of each amplifiers' quiescent current. The ICL7621 and ICL7641/7642 have fixed I_Q settings:

ICL7621 (Dual) - $I_Q = 100\mu\text{A}$

ICL7641 (Quad) - $I_Q = 1\text{mA}$

ICL7642 (Quad) - $I_Q = 10\mu\text{A}$

NOTE: The output current available is a function of the quiescent current setting. For maximum peak-to-peak output voltage swings into low impedance loads, I_Q of 1mA should be selected.

Output Stage and Load Driving Considerations

Each amplifiers' quiescent current flows primarily in the output stage. This is approximately 70% of the I_Q settings. This allows output swings to almost the supply rails for output loads of $1\text{M}\Omega$, $100\text{k}\Omega$, and $10\text{k}\Omega$, using the output stage in a highly linear class A mode. In this mode, crossover distortion is avoided and the voltage gain is maximized. However, the output stage can also be operated in Class AB for higher output currents. (See graphs under

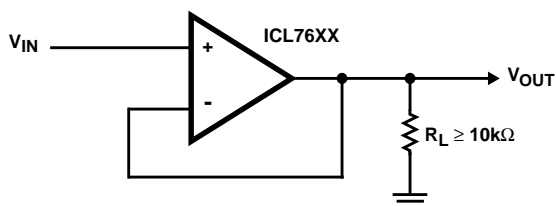


FIGURE 1. SIMPLE FOLLOWER

Typical Operating Characteristics). During the transition from Class A to Class B operation, the output transfer characteristic is nonlinear and the voltage gain decreases.

Frequency Compensation

The ICL76XX are internally compensated, and are stable for closed loop gains as low as unity with capacitive loads up to 100pF .

Operation At $V_{\text{SUPPLY}} = \pm 1\text{V}$

Operation at $V_{\text{SUPPLY}} = \pm 1\text{V}$ is guaranteed for the ICL7642C only.

Output swings to within a few millivolts of the supply rails are achievable for $R_L \geq 1\text{M}\Omega$. Guaranteed input CMVR is $\pm 0.6\text{V}$ minimum and typically $+0.9\text{V}$ to -0.7V at $V_{\text{SUPPLY}} = \pm 1\text{V}$. For applications where greater common mode range is desirable, refer to the ICL7612 data sheet.

Typical Applications

The user is cautioned that, due to extremely high input impedances, care must be exercised in layout, construction, board cleanliness, and supply filtering to avoid hum and noise pickup.

Note that in no case is I_Q shown. The value of I_Q must be chosen by the designer with regard to frequency response and power dissipation.

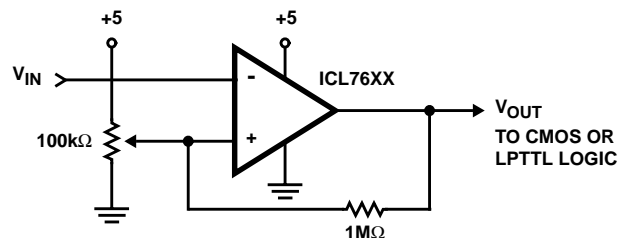
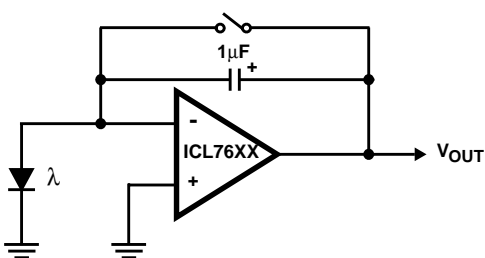
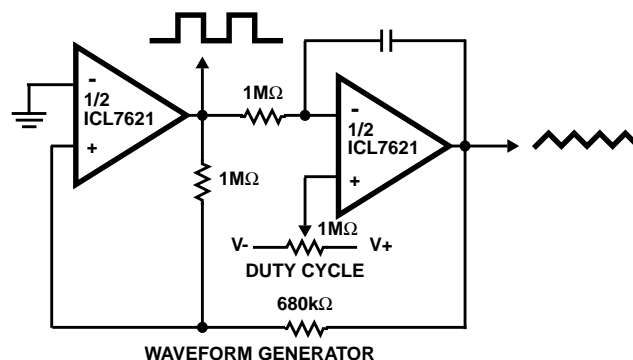


FIGURE 2. LEVEL DETECTOR



NOTE: Low leakage currents allow integration times up to several hours.

FIGURE 3. PHOTOCURRENT INTEGRATOR



NOTE: Since the output range swings exactly from rail to rail, frequency and duty cycle are virtually independent of power supply variations.

FIGURE 4. TRIANGLE/SQUARE WAVE GENERATOR

ICL7621, ICL7641, ICL7642

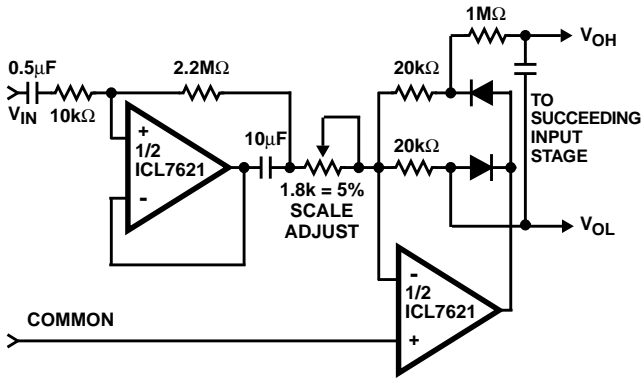


FIGURE 5. AVERAGING AC TO DC CONVERTER FOR A/D CONVERTERS SUCH AS ICL7106, ICL7107, ICL7109, ICL7116, ICL7117

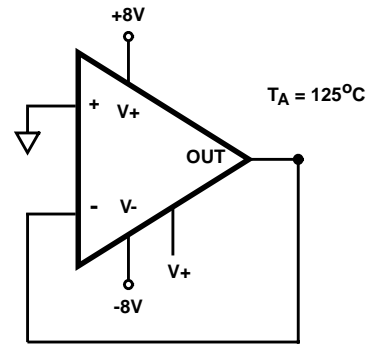
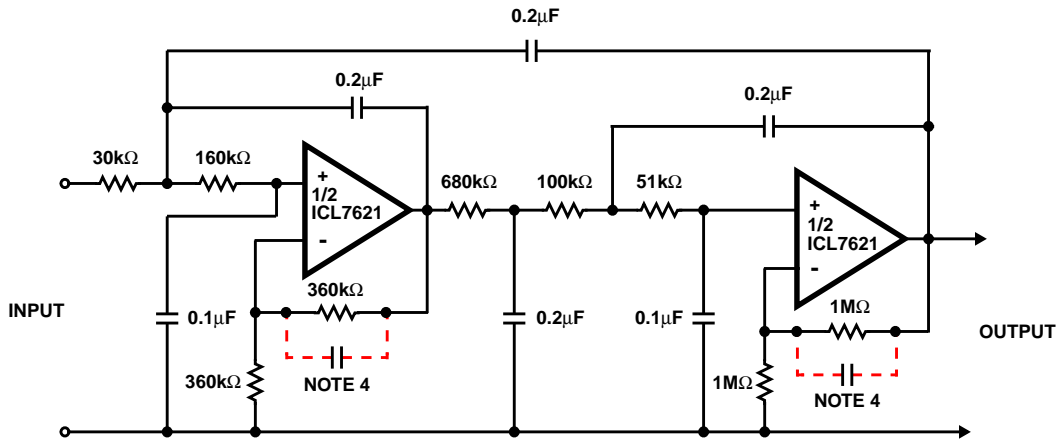


FIGURE 6. BURN-IN AND LIFE TEST CIRCUIT



NOTES:

- Small capacitors (25 - 50pF) may be needed for stability in some cases.
- The low bias currents permit high resistance and low capacitance values to be used to achieve low frequency cutoff. $f_C = 10\text{Hz}$, $AV_{CL} = 4$, Passband ripple = 0.1dB.

FIGURE 7. FIFTH ORDER CHEBYCHEV MULTIPLE FEEDBACK LOW PASS FILTER

Typical Performance Curves

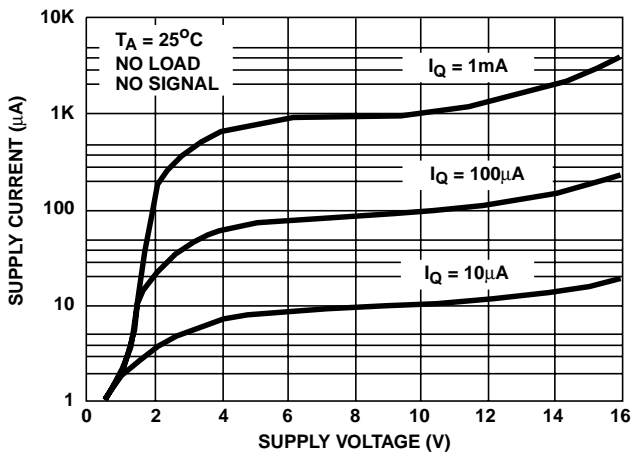


FIGURE 8. SUPPLY CURRENT PER AMPLIFIER vs SUPPLY VOLTAGE

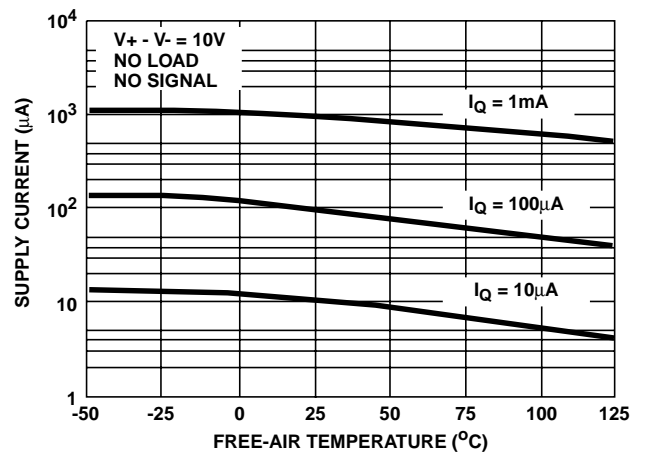


FIGURE 9. SUPPLY CURRENT PER AMPLIFIER vs FREE-AIR TEMPERATURE

ICL7621, ICL7641, ICL7642

Typical Performance Curves (Continued)

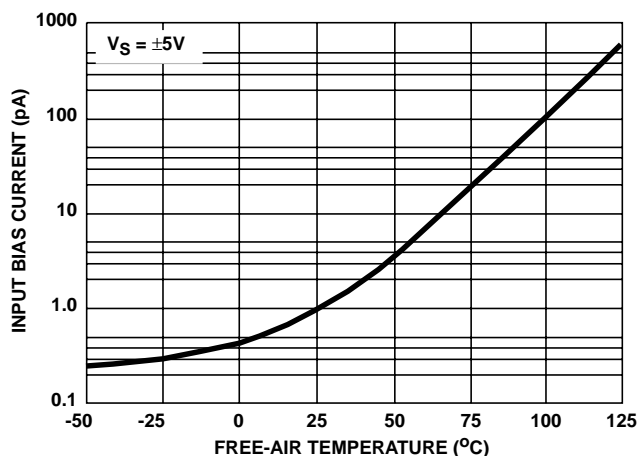


FIGURE 10. INPUT BIAS CURRENT vs TEMPERATURE

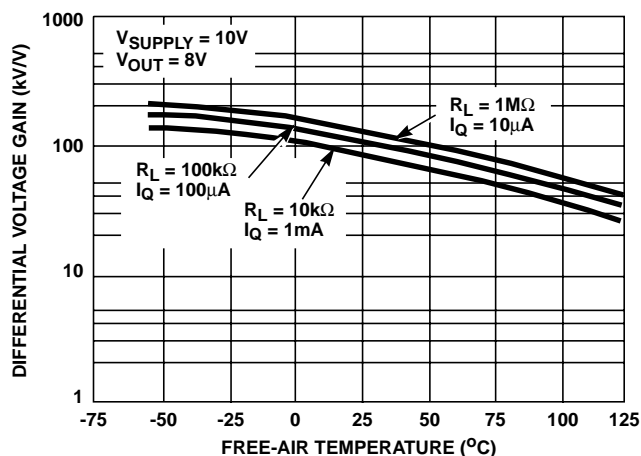


FIGURE 11. LARGE SIGNAL DIFFERENTIAL VOLTAGE GAIN vs FREE-AIR TEMPERATURE

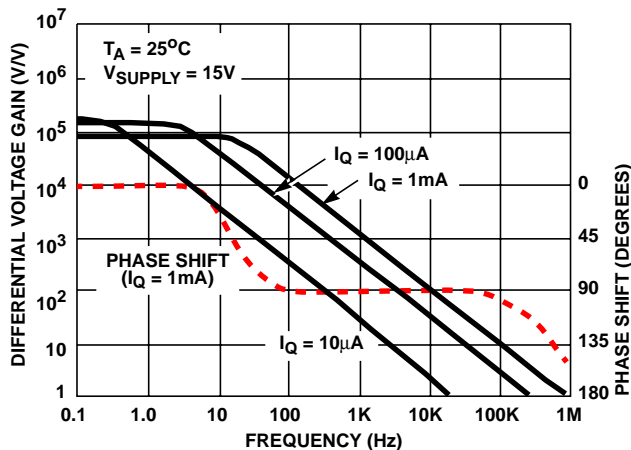


FIGURE 12. LARGE SIGNAL FREQUENCY RESPONSE

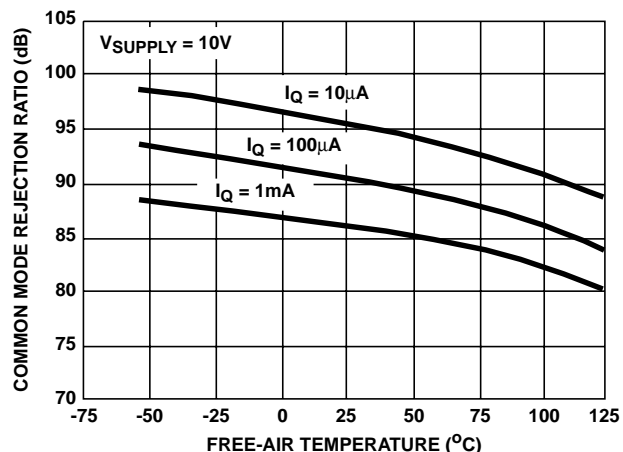


FIGURE 13. COMMON MODE REJECTION RATIO vs FREE-AIR TEMPERATURE

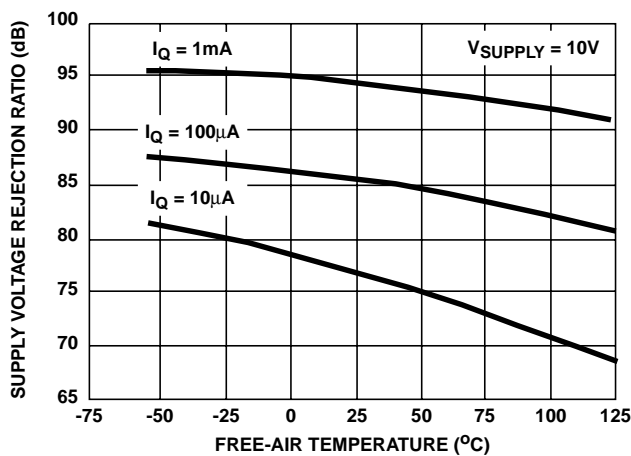


FIGURE 14. POWER SUPPLY REJECTION RATIO vs FREE-AIR TEMPERATURE

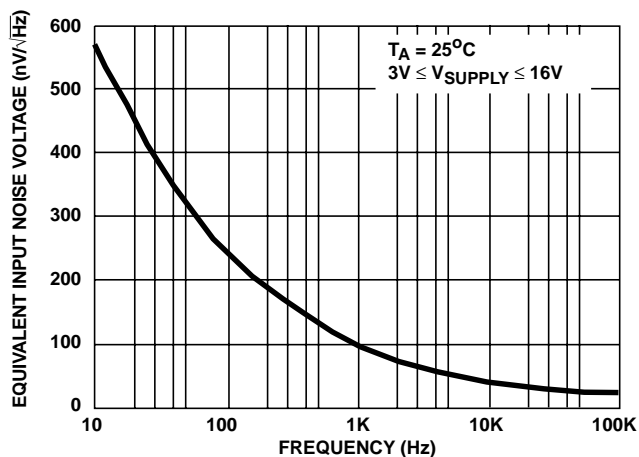


FIGURE 15. EQUIVALENT INPUT NOISE VOLTAGE vs FREQUENCY

Typical Performance Curves (Continued)

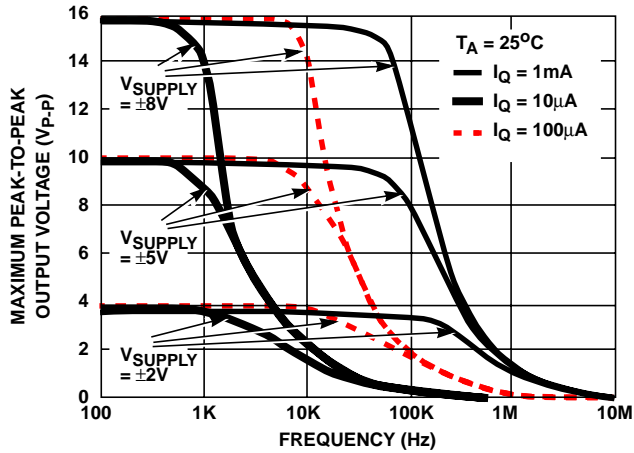


FIGURE 16. OUTPUT VOLTAGE vs FREQUENCY

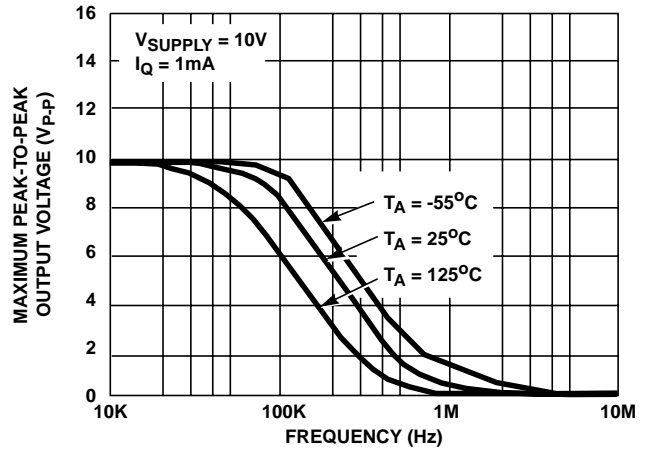


FIGURE 17. OUTPUT VOLTAGE vs FREQUENCY

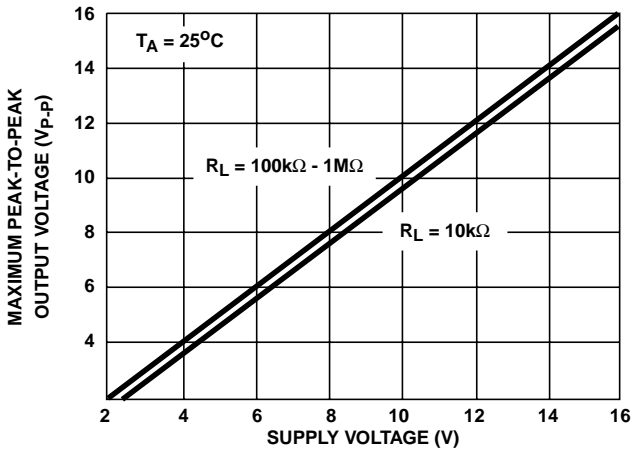


FIGURE 18. OUTPUT VOLTAGE vs SUPPLY VOLTAGE

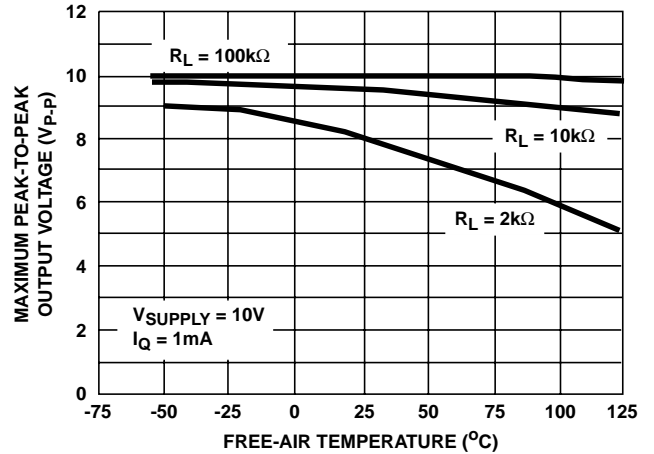


FIGURE 19. OUTPUT VOLTAGE vs FREE-AIR TEMPERATURE

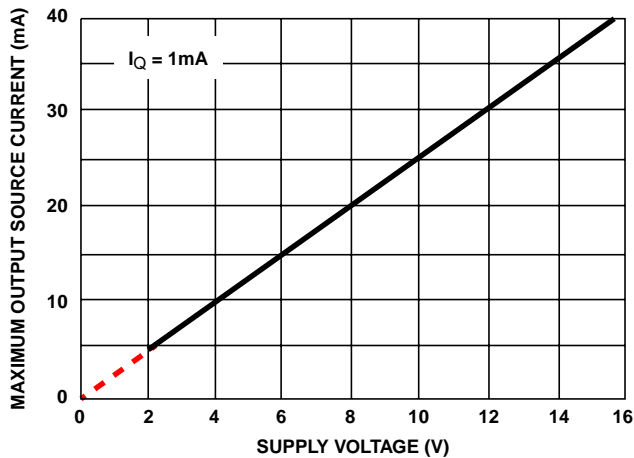


FIGURE 20. OUTPUT SOURCE CURRENT vs SUPPLY VOLTAGE

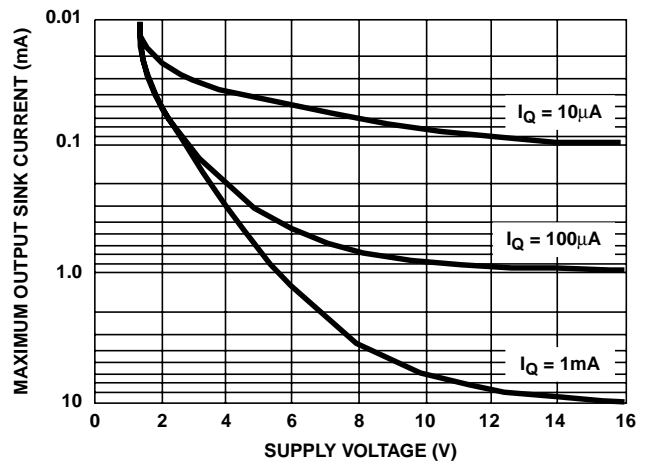


FIGURE 21. OUTPUT SINK CURRENT vs SUPPLY VOLTAGE

ICL7621, ICL7641, ICL7642

Typical Performance Curves (Continued)

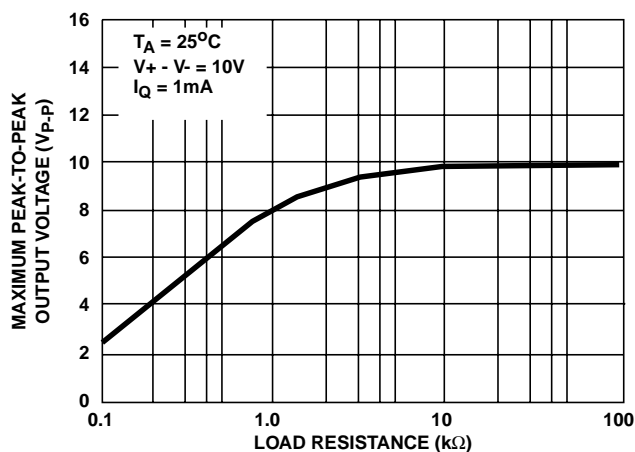


FIGURE 22. OUTPUT VOLTAGE vs LOAD RESISTANCE

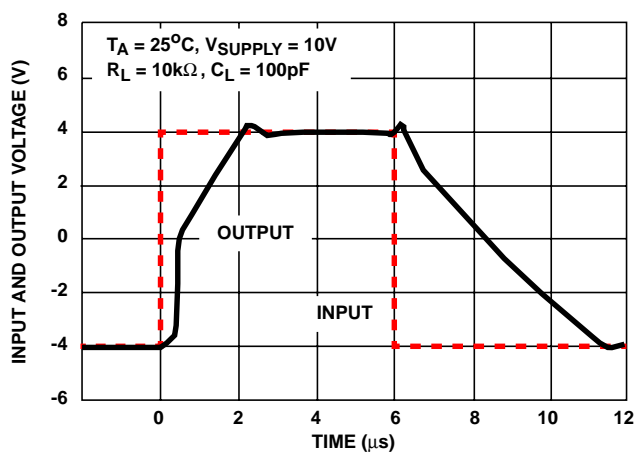


FIGURE 23. VOLTAGE FOLLOWER LARGE SIGNAL PULSE RESPONSE ($I_Q = 1\text{mA}$)

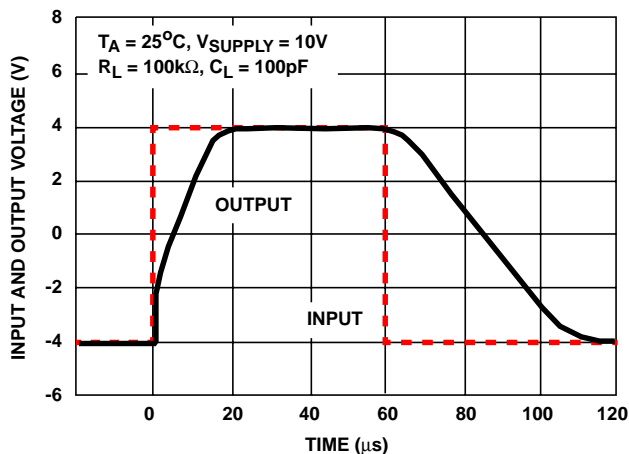


FIGURE 24. VOLTAGE FOLLOWER LARGE SIGNAL PULSE RESPONSE ($I_Q = 100\mu\text{A}$)

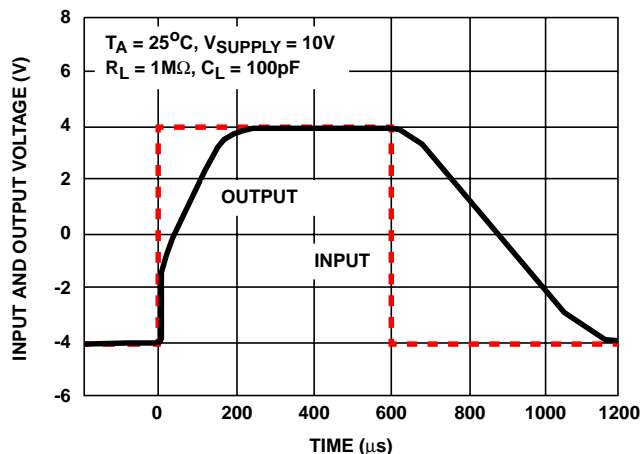


FIGURE 25. VOLTAGE FOLLOWER LARGE SIGNAL PULSE RESPONSE ($I_Q = 10\mu\text{A}$)

All Intersil semiconductor products are manufactured, assembled and tested under **ISO9000** quality systems certification.

Intersil semiconductor products are sold by description only. Intersil Corporation reserves the right to make changes in circuit design and/or specifications at any time without notice. Accordingly, the reader is cautioned to verify that data sheets are current before placing orders. Information furnished by Intersil is believed to be accurate and reliable. However, no responsibility is assumed by Intersil or its subsidiaries for its use; nor for any infringements of patents or other rights of third parties which may result from its use. No license is granted by implication or otherwise under any patent or patent rights of Intersil or its subsidiaries.

For information regarding Intersil Corporation and its products, see web site <http://www.intersil.com>

Sales Office Headquarters

NORTH AMERICA

Intersil Corporation
P. O. Box 883, Mail Stop 53-204
Melbourne, FL 32902
TEL: (407) 724-7000
FAX: (407) 724-7240

EUROPE

Intersil SA
Mercure Center
100, Rue de la Fusee
1130 Brussels, Belgium
TEL: (32) 2.724.2111
FAX: (32) 2.724.22.05

ASIA

Intersil (Taiwan) Ltd.
7F-6, No. 101 Fu Hsing North Road
Taipei, Taiwan
Republic of China
TEL: (886) 2 2716 9310
FAX: (886) 2 2715 3029