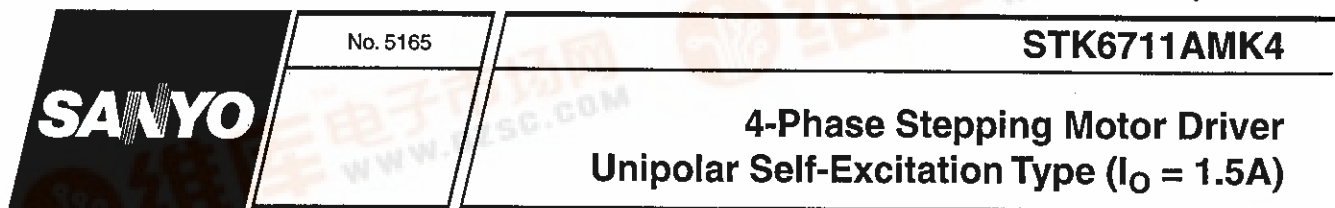


Thick Film Hybrid IC



Overview

The STK6711AMK4 is a unipolar fixed-current chopper-type self-excitation 4-phase stepping motor driver hybrid IC which uses MOSFET power devices. The excitation sequence signal is active-high.

Applications

- Serial printer, line printer, and laser beam printer (LBP) paper feed and carriage motor drivers
- PPC scanner and LBP feed drivers

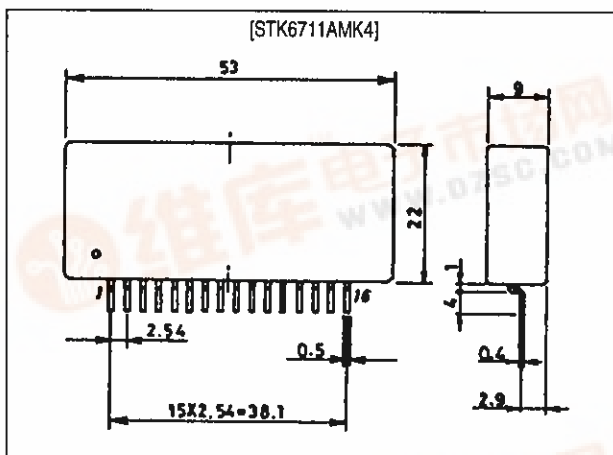
Features

- Simultaneous ON prevention circuit built-in to prevent driver breakdown due to simultaneous ON control signals from the control system's microcontroller, etc.
- Self-excitation design means chopping frequency is determined by motor L and R. Supports chopping at 20kHz or higher.
- Two 0.33Ω current detection resistors built-in for fixed-current chopping operation
- Wide operating supply voltage range (18 to 42V for motor drive)
- Unipolar design enables use as a driver for hybrid, PM, or VR-type stepping motors
- Supports W1-2 phase operation, with dual Vref pins

Package Dimensions

unit: mm

4129



Series Organization

The following devices form a series with differing excitation signal active level and output capacity. Some of the following devices are under development. Contact your Sanyo sales representative if you require more detailed information.

Type No.	Excitation signal	Output current (per phase)	Type
STK6711AMK4	Active-high	1.5A	Self-excitation
STK6711BMK4	Active-low		
STK6712AMK4	Active-high	1.7A	
STK6712BMK4	Active-low		
STK6713AMK4	Active-high	3.0A	
STK6713BMK4	Active-low		
STK6714AMK4	Active-high	4.0A	Fixed excitation
STK6714BMK4	Active-low		



STK6711AMK4

Specifications

Maximum Ratings at $T_a = 25^\circ\text{C}$

Parameter	Symbol	Conditions	Ratings	Unit
Maximum supply voltage 1	$V_{CC1 \text{ max}}$	No input signal	52	V
Maximum supply voltage 2	$V_{CC2 \text{ max}}$	No input signal	7	V
Maximum phase current	$I_{OH \text{ max}}$	$R = 5\Omega$, $L = 10\text{mH}$, $1 \times 0.5\text{s}$ pulse, V_{CC} applied	2.2	A
Repeated avalanche handling capability	$E_{ar \text{ max}}$		38	mJ
Junction temperature	$T_j \text{ max}$		150	$^\circ\text{C}$
Operating substrate temperature	$T_c \text{ max}$		105	$^\circ\text{C}$
Storage temperature	T_{stg}		-40 to +125	$^\circ\text{C}$

Allowable Operating Ranges at $T_a = 25^\circ\text{C}$

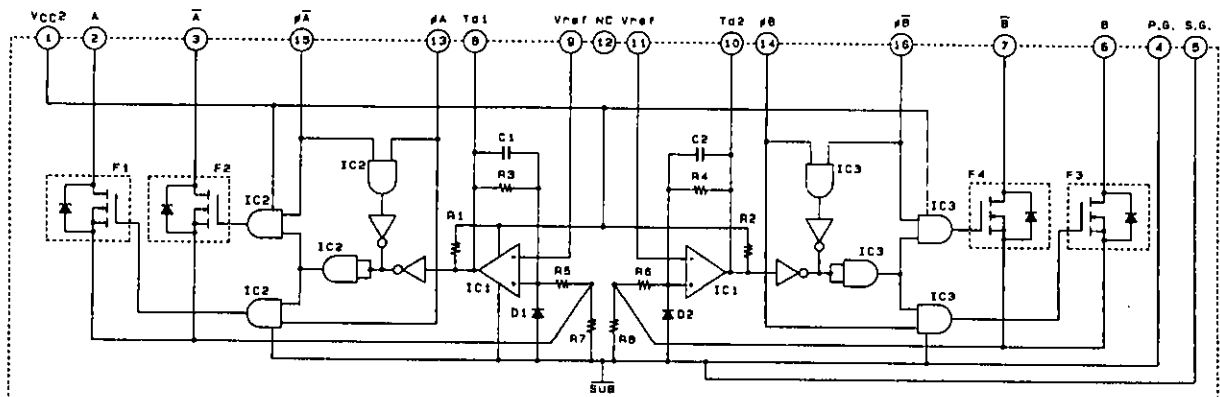
Parameter	Symbol	Conditions	min	typ	max	Unit
Supply voltage 1	V_{CC1}	With input signal	18	-	42	V
Supply voltage 2	V_{CC2}	With input signal	4.75	5.00	5.25	V
Phase driver withstand voltage	V_{DSS}		100	-	-	V
Phase current	$I_{OH \text{ max}}$	50% duty	-	-	1.5	A

Electrical Characteristics at $T_c = 25^\circ\text{C}$, $V_{CC1} = 36\text{V}$, $V_{CC2} = 5\text{V}$

Parameter	Symbol	Conditions	min	typ	max	Unit
Output saturation voltage	V_{st}	$R_L = 23\Omega$, $V_{in} = 2.4\text{V}$	-	1.4	1.9	V
Average output current	I_{oave}	Load: $R = 3.5\Omega$, $L = 3.8\text{mH}$, $V_{in} = 2.4\text{V}$, per phase	0.45	0.50	0.55	A
Pin current drain	I_{CC2}	Load: $R = 3.5\Omega$, $L = 3.8\text{mH}$, $V_{in} = 2.4\text{V}$, per phase	-	15	25	mA
FET diode forward voltage	V_{df}	$I_f = 1.0\text{A}$	-	1.2	1.8	V
TTL-input high level voltage	V_{IH}	Input voltage when F1, F2, F3, F4 ON	2.0	-	-	V
TTL-input low level voltage	V_{IL}	Input voltage when F1, F2, F3, F4 OFF	-	-	0.8	V
Switching time	t_{ON}	$R_L = 24\Omega$, $V_{in} = 2.4\text{V}$	-	50	-	ns
	t_{OFF}	$R_L = 24\Omega$, $V_{in} = 2.4\text{V}$	-	0.1	-	μs

Note: All tests are made using a constant-voltage supply.

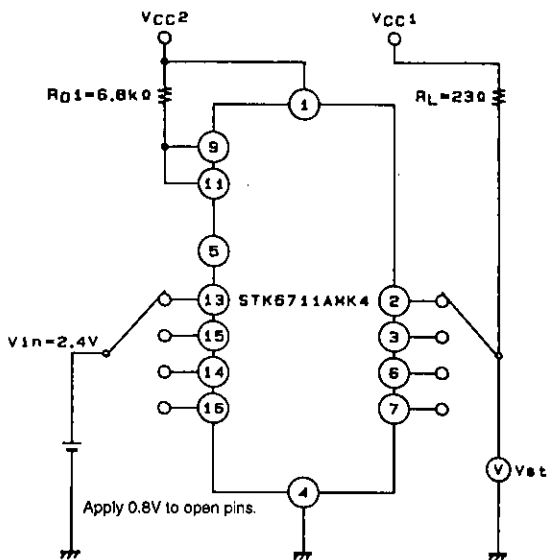
Equivalent Circuit



STK6711AMK4

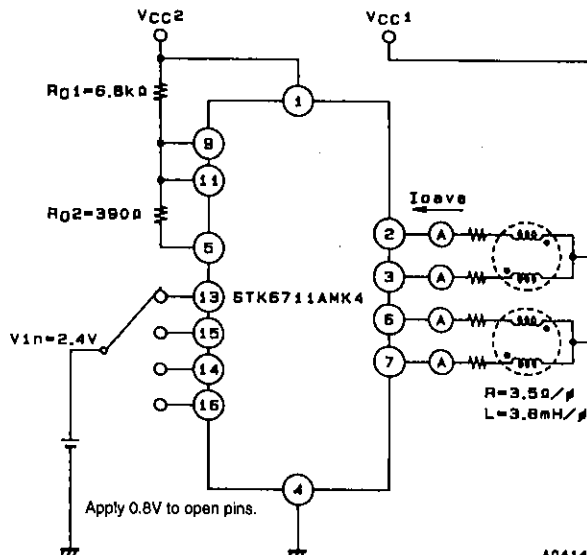
Test Circuits

Vst



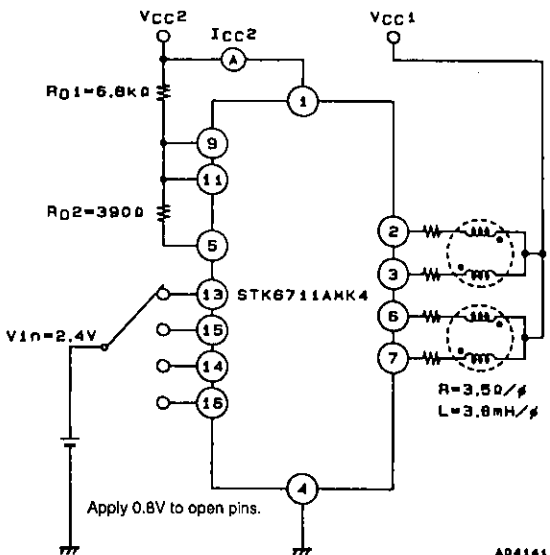
A04138

I_{oave}



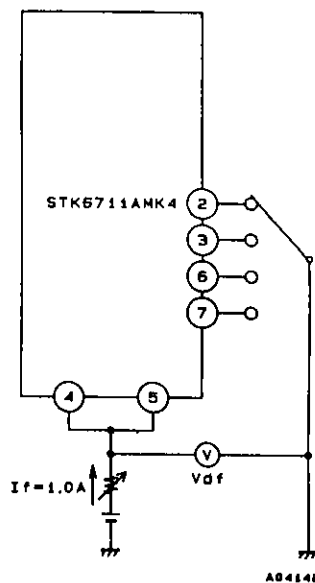
A04140

I_{cc2}



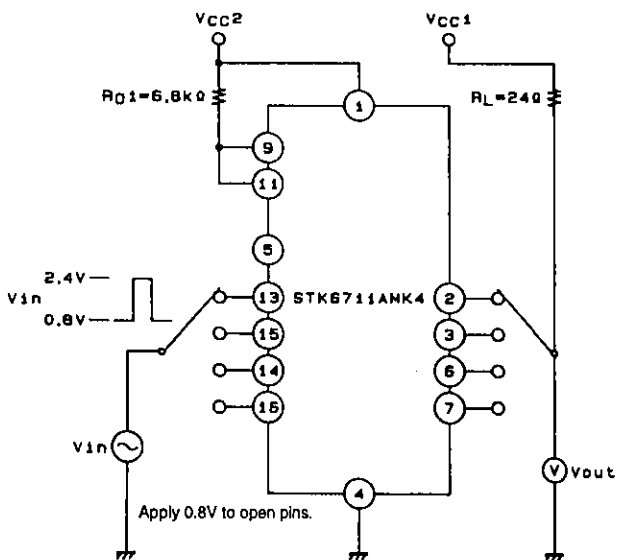
A04141

Vdf

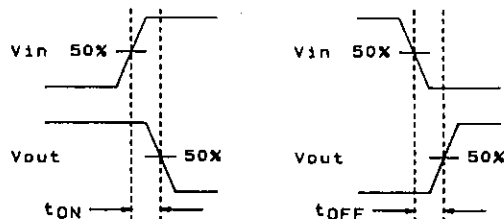


A04142

t_{ON}, t_{OFF}

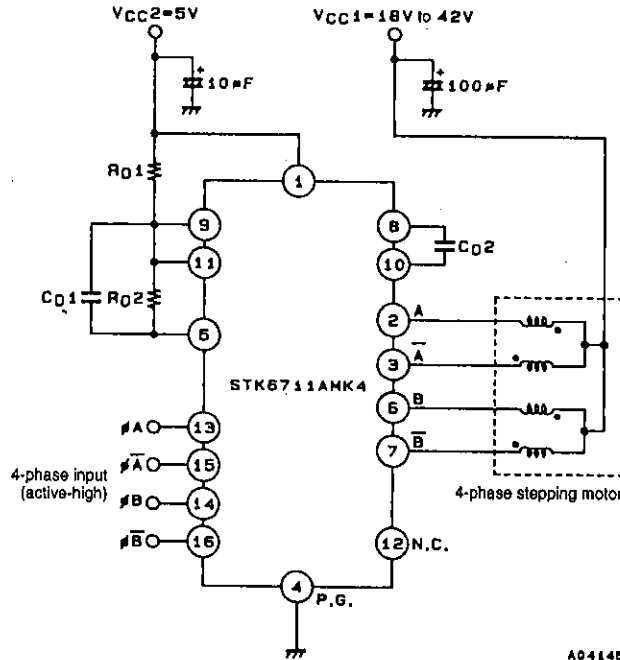


A04143



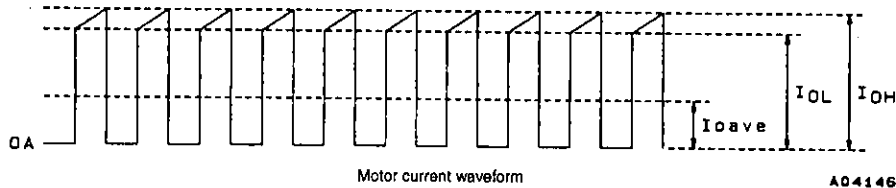
A04144

Sample Application Circuit



Motor Current

The following figure shows the motor current waveform when all 4-phase inputs are locked.



The motor current is set by the Vref voltage which is determined by the resistors R01 and R02 connected to pins 9 and 11. IOH and Vref are related as shown in the following equations, where K is a correction coefficient for actual measurement.

$$I_{OH} = K \times \frac{R_{O2}^2}{R_{O1} + R_{O2}} \times \frac{V_{CC2}^2}{R7}$$

$$V_{ref} = \frac{R_{O2}}{R_{O1} + R_{O2}} \times V_{CC2}$$

K ≈ 1.2 and R7 = R8 ≈ 0.33Ω ± 3%

Reference values are such that R01 = 6.8kΩ and R02 = 390Ω at IOH ≈ 1A.

Motor Hold Noise Countermeasures (C01 and C02 Capacitors)

During motor hold, there may be cases where the motor generates audible noise. In this case, capacitors C01 ≈ 0.01µF and C02 ≈ 100 to 200pF can be added to prevent this noise as shown in the Sample Application Circuit. During normal operation, however, these capacitors are not necessary.

- No products described or contained herein are intended for use in surgical implants, life-support systems, aerospace equipment, nuclear power control systems, vehicles, disaster/crime-prevention equipment and the like, the failure of which may directly or indirectly cause injury, death or property loss.
- Anyone purchasing any products described or contained herein for an above-mentioned use shall:
 - ① Accept full responsibility and indemnify and defend SANYO ELECTRIC CO., LTD., its affiliates, subsidiaries and distributors and all their officers and employees, jointly and severally, against any and all claims and litigation and all damages, cost and expenses associated with such use:
 - ② Not impose any responsibility for any fault or negligence which may be cited in any such claim or litigation on SANYO ELECTRIC CO., LTD., its affiliates, subsidiaries and distributors or any of their officers and employees, jointly or severally.
- Information (including circuit diagrams and circuit parameters) herein is for example only; it is not guaranteed for volume production. SANYO believes information herein is accurate and reliable, but no guarantees are made or implied regarding its use or any infringements of intellectual property rights or other rights of third parties.