

TOSHIBA FAST RECOVERY RECTIFIER SILICON DIFFUSED TYPE

1JH46

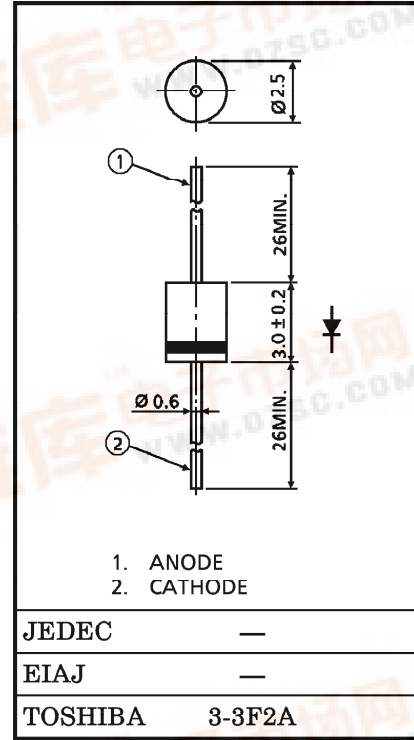
SWITCHING TYPE POWER SUPPLY APPLICATIONS

Unit in mm

- Repetitive Peak Reverse Voltage : $V_{RRM} = 600V$
- Average Forward Current : $I_F (AV) = 1.0A$
- Very Fast Reverse-Recovery Time : $t_{rr} = 200ns (Max.)$

MAXIMUM RATINGS

CHARACTERISTIC	SYMBOL	RATING	UNIT
Repetitive Peak Reverse Voltage	V_{RRM}	600	V
Average Forward Current ($T_a = 25^\circ C$)	$I_F (AV)$	1.0	A
Peak One Cycle Surge Forward Current (Non-Repetitive)	I_{FSM}	15 (50Hz)	A
		17 (60Hz)	
Junction Temperature Range	T_j	-40~150	$^\circ C$
Storage Temperature Range	T_{stg}	-40~150	$^\circ C$



Weight : 0.18g

ELECTRICAL CHARACTERISTICS ($T_a = 25^\circ C$)

CHARACTERISTIC	SYMBOL	TEST CONDITION	MIN.	TYP.	MAX.	UNIT
Peak Forward Voltage	V_{FM}	$V_{FM} = 1.0A$	—	—	1.2	V
Repetitive Peak Reverse Current	I_{RRM}	$V_{RRM} = 600V$	—	—	100	μA
Reverse Recovery Time	t_{rr}	$I_F = 1A, di/dt = -30A/\mu s$	—	—	200	ns
Forward Recovery Time	t_{fr}	$I_F = 1.0A$	—	—	500	ns
Thermal Resistance	$R_{th(j-a)}$	Junction to Ambient	—	—	115	$^\circ C/W$

Marking

