

TOSHIBA RECTIFIER SILICON DIFFUSED TYPE

1JU42

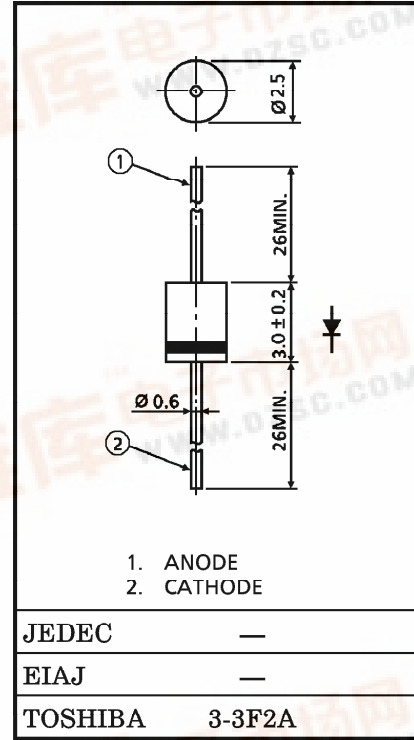
HIGH SPEED RECTIFIER APPLICATIONS
(FAST RECOVERY)

Unit in mm

- Average Forward Current : $I_F(AV) = 1.0A$
- Repetitive Peak Reverse Voltage : $V_{RRM} = 400V$
- Reverse Recovery Time : $t_{rr} = 100ns (Max.)$
- Plastic Mold Type.

MAXIMUM RATINGS

CHARACTERISTIC	SYMBOL	RATING	UNIT
Repetitive Peak Reverse Voltage	V_{RRM}	600	V
Average Forward Current	$I_F(AV)$	1.0	A
Peak One Cycle Surge Forward Current (Non-Repetitive)	I_{FSM}	15 (50Hz)	A
		17 (60Hz)	
Junction Temperature Range	T_j	-40~150	°C
Storage Temperature Range	T_{stg}	-40~150	°C



Weight : 0.18g

ELECTRICAL CHARACTERISTICS (Ta = 25°C)

CHARACTERISTIC	SYMBOL	TEST CONDITION	MIN.	MAX.	UNIT
Peak Forward Voltage	V_{FM}	$I_{FM} = 1.0A$	—	2.0	V
Repetitive Peak Reverse Current	I_{RRM}	$V_{RRM} = 600V$	—	100	μA
Reverse Recovery Time	t_{rr}	$I_F = 1.0A, di/dt = -30A/\mu s$	—	100	ns
Forward Recovery Time	t_{fr}	$I_F = 1.0A$	—	250	ns

Marking

