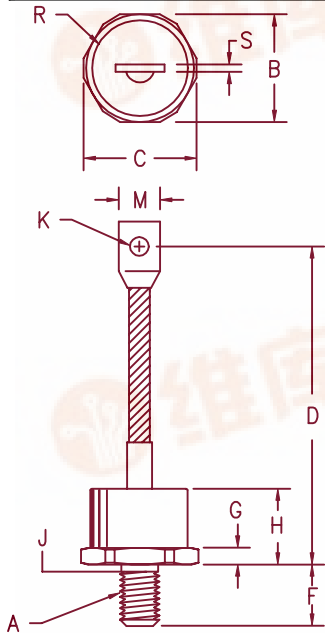


# 1N3288-1N3297



Notes:

- 3/8-24 UNF-3A
- Full threads within 2 1/2 threads
- Standard polarity: Stud is Cathode  
Reverse polarity: Stud is Anode

Dim.	Inches		Millimeter		Notes
	Minimum	Maximum	Minimum	Maximum	
A	---	---	---	---	1,3
B	1.050	1.060	26.67	26.92	
C	---	1.166	---	29.61	
D	4.30	4.65	109.22	118.11	2
F	.610	.640	15.49	16.25	
G	.213	.233	5.41	5.66	2
H	---	.745	---	18.92	
J	.344	.373	8.74	9.47	2
K	.276	.286	7.01	7.26	
M	.465	.670	11.81	17.02	Dia
R	.625	.850	15.88	21.59	
S	.050	.120	1.27	3.05	

## D0205AA (D08)

Microsemi Catalog Number	Additional JEDEC Numbers				Peak Reverse Voltage	
1N411B	1N1396	1N2426	1N3139		50V	
1N3288,S	1N412B	1N1397	1N2427	1N3140	100V	
		1N1398	1N2428	1N3141	150V	
1N3289,S	1N413B	1N1399	1N2429	1N3142	1N3972	200V
			1N2430		250V	
1N3290,S		1N1400	1N2431		300V	
			1N2432		350V	
1N3291,S		1N1401	1N2433	1N3973	400V	
1N3292,S,B		1N1402	1N2434		500V	
1N3293,S		1N1403	1N2435	1N3974	600V	
1N3294,S				1N3975	800V	
1N3295,S					1000V	
1N3296,S					1200V	
1N3297,S					1400V	

For Reverse Polarity, add R to the part number

- Glass Passivated Die
- 1600 Amps Surge Rating
- Glass to metal seal construction
- VRRM to 1400V

Electrical Characteristics		
Average forward current	$I_F(AV)$ 100 Amps	$T_C = 144^\circ C$ , Half Sine Wave, $R_{\theta JC} = 0.4^\circ C/W$
Maximum surge current	$I_{FSM}$ 1600 Amps	8.3ms, half sine, $T_J = 200^\circ C$
Max $I^2 t$ for fusing	$I^2 t$ 10700 A <sup>2</sup> s	
Max peak forward voltage	$V_{FM}$ 1.20 Volts	$I_{FM} = 200A; T_J = 25^\circ C^*$
Max peak reverse current	$I_{RM}$ 50 $\mu A$	$V_{RRM, T_J = 25^\circ C}$
Max peak reverse current	$I_{RM}$ 5 mA	$V_{RRM, T_J = 150^\circ C}$
Max Recommended Operating Frequency	7.5kHz	

\*Pulse test: Pulse width 300  $\mu sec$ . Duty cycle 2%

Thermal and Mechanical Characteristics		
Storage temperature range	$T_{STG}$	-65°C to 200°C
Operating junction temp range	$T_J$	-65°C to 200°C
Maximum thermal resistance	$R_{\theta JC}$	0.4°C/W Junction to Case
Mounting torque		80-100 inch pounds
Weight		2.75 ounces (78 grams) typical



# 1N3288-1N3297

Figure 1  
Typical Forward Characteristics

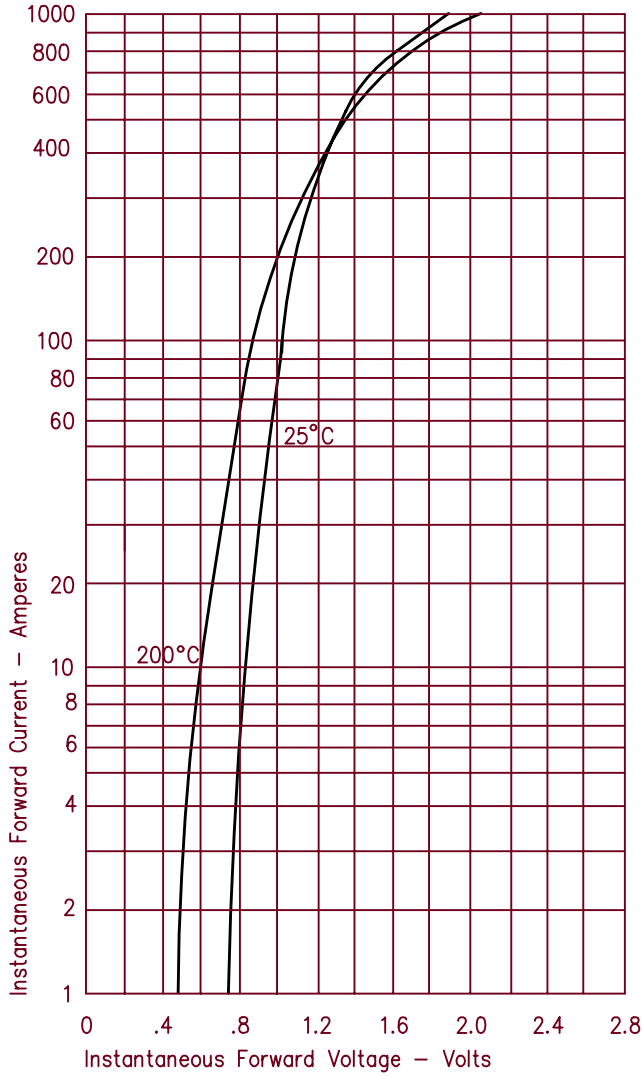


Figure 3  
Forward Current Derating

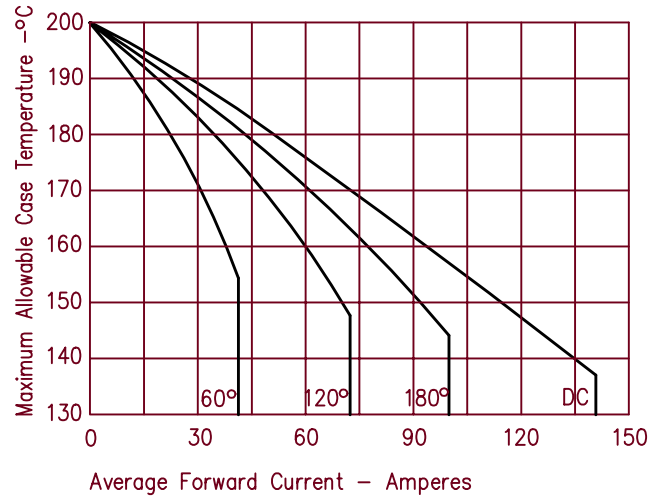


Figure 5  
Transient Thermal Impedance

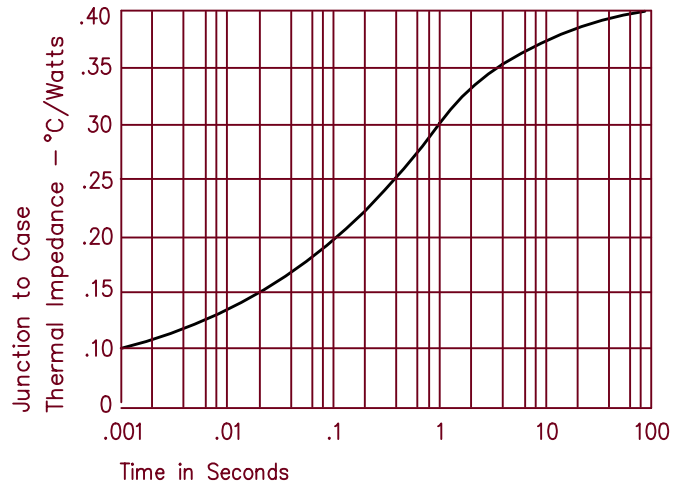


Figure 2  
Typical Reverse Characteristics

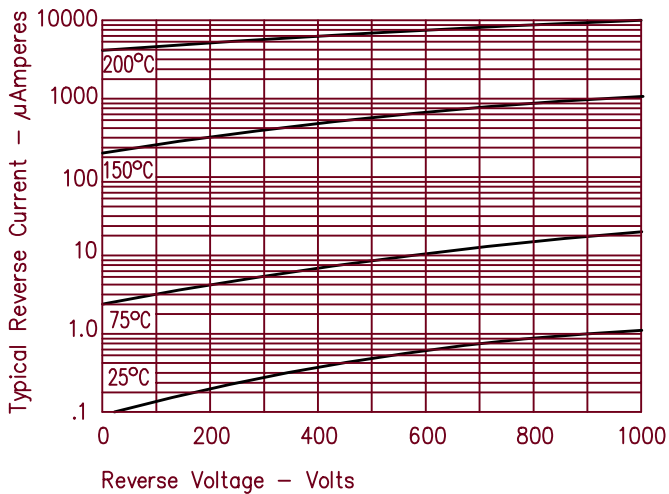


Figure 7  
Maximum Nonrepetitive Surge Current

