

SBS 1.1-COMPLIANT GAS GAUGE ENABLED WITH IMPEDANCE TRACK™ TECHNOLOGY FOR USE WITH THE bq29312A

FEATURES

- Patented Impedance Track™ Technology Accurately Measures Available Charge in Li-Ion and Li-Polymer Batteries
- Better than 1% Error Over Lifetime of the Battery
- Instant Accuracy – No Learning Cycle Required
- Supports the Smart Battery Specification SBS V1.1
- Works With the TI bq29312A Analog Front-End (AFE) Protection IC to Provide Complete Pack Electronics Solution
- Full Array of Programmable Voltage, Current, and Temperature Protection Features
- Integrated Time Base Removes Need for External Crystal with Optional Crystal Input
- Electronics for 7.2-V, 10.8-V or 14.4-V Battery Packs With Few External Components
- Based on a Powerful Low-Power RISC CPU Core With High-Performance Peripherals
- Integrated Field Programmable FLASH Memory Eliminates the Need for External Configuration Memory
- Measures Charge Flow Using a High-Resolution, 16-Bit Integrating Delta-Sigma Converter
 - Better Than 0.65 nVh of Resolution
 - Self-Calibrating
 - Offset Error Less Than 1 μ V
- Uses 16-Bit Delta-Sigma Converter for Accurate Voltage and Temperature Measurements
- Extensive Data Reporting Options For Improved System Interaction
- Optional Pulse Charging Feature for Improved Charge Times
- Drives 3-, 4- or 5-Segment LED Display for Remaining Capacity Indication
- Supports SHA-1 Authentication

- Lifetime Data Logging
- 38-Pin TSSOP (DBT)

APPLICATIONS

- Notebook PCs
- Medical and Test Equipment
- Portable Instrumentation

DESCRIPTION

The bq20z80 SBS-compliant gas gauge IC, incorporating patented Impedance Track™ technology, is designed for battery-pack or in-system installation. The bq20z80 measures and maintains an accurate record of available charge in Li-ion or Li-polymer batteries using its integrated high-performance analog peripherals. The bq20z80 monitors capacity change, battery impedance, open-circuit voltage, and other critical parameters of the battery pack, and reports the information to the system host controller over a serial-communication bus. It is designed to work with the bq29312A analog front-end (AFE) protection IC to maximize functionality and safety, and minimize component count and cost in smart battery circuits.

The Impedance Track technology continuously analyzes the battery impedance, resulting in superior gas-gauging accuracy. This enables remaining capacity to be calculated with discharge rate, temperature, and cell aging all accounted for during each stage of every cycle.

AVAILABLE OPTIONS

T _A	PACKAGE	
	38-PIN TSSOP (DBT) Tube	38-PIN TSSOP (DBT) Tape and Reel
-40°C to 85°C	bq20z80DBT-V102 ⁽¹⁾	bq20z80DBTR-V102 ⁽²⁾

(1) A single tube quantity is 50 units.

(2) A single reel quantity is 2000 units

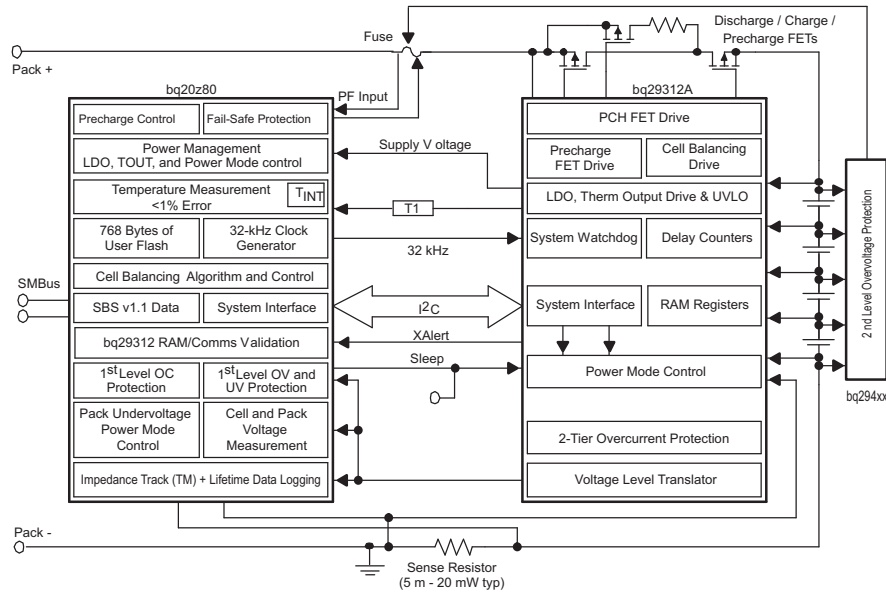
Please be aware that an important notice concerning availability, standard warranty, and use in critical applications of Texas Instruments semiconductor products and disclaimers thereto appears at the end of this data sheet.

Impedance Track is a trademark of Texas Instruments.



These devices have limited built-in ESD protection. The leads should be shorted together or the device placed in conductive foam during storage or handling to prevent electrostatic damage to the MOS gates.

SYSTEM DIAGRAM



**TSSOP (DBT)
(TOP VIEW)**

VIN	1	38	VSSD
TS1	2	37	NC
TS2	3	36	NC
PU	4	35	CLKOUT
PRES	5	34	XCK1 / VSSA
SCLK	6	33	XCK2 / ROSC
SAFE	7	32	FILT
VDDD	8	31	VDDA
RBI	9	30	VSSA
SDATA	10	29	VSSA
VSSD	11	28	SR1
SAFE	12	27	SR2
NC	13	26	MRST
NC	14	25	XALERT
SMBC	15	24	LED1
SMBD	16	23	LED2
DISP	17	22	LED3
PFIN	18	21	LED4
VSSD	19	20	LED5

NC - No internal connection

TERMINAL FUNCTIONS

TERMINAL		I/O ⁽¹⁾	DESCRIPTION
NO.	NAME		
1	VIN	I	Voltage measurement input from the AFE
2	TS1	I	1 st Thermistor voltage input connection to monitor temperature
3	TS2	I	2 nd Thermistor voltage input connection to monitor temperature
4	PU	O	Output to pull up the $\overline{\text{PRES}}$ pin for system detection
5	$\overline{\text{PRES}}$	I	Active low input to sense system insertion and typically requires additional ESD protection
6	SCLK	I/OD	Communication clock to the AFE
7	SAFE	O	Active high output to enforce additional level of safety protection; e.g., fuse blow. (Inverse of pin 12)
8	VDDD	P	Positive supply for digital circuitry and I/O pins
9	RBI	P	Backup power to the bq20z80 data registers during periods of low operating voltage. RBI accepts a storage capacitor or a battery input.
10	SDATA	I/O	Data transfer to and from the AFE
12	$\overline{\text{SAFE}}$	O	Active low output to enforce additional level of safety protection; e.g., fuse blow. (Inverse of pin 7)
13	NC	–	Not used— leave floating
14	NC	–	Not used— leave floating
15	SMBC	I/OD	SMBus clock open-drain bidirectional pin used to clock the data transfer to and from the bq20z80
16	SMBD	I/OD	SMBus data open-drain bidirectional pin used to transfer address and data to and from the bq20z80
17	$\overline{\text{DISP}}$	I	Display control for the LEDs. This pin is typically connected to bq29312A REG via a 100-k Ω resistor and a push-button switch to VSSD.
18	$\overline{\text{PFIN}}$	I	Active low input to detect secondary protector output status and allows the bq20z80 to report the status of the 2 nd level protection output
20	LED5	O	LED5 display segment that drives an external LED depending on the firmware configuration
21	LED4	O	LED4 display segment that drives an external LED depending on the firmware configuration
22	LED3	O	LED3 display segment that drives an external LED depending on the firmware configuration
23	LED2	O	LED2 display segment that drives an external LED depending on the firmware configuration
24	LED1	O	LED1 display segment that drives an external LED depending on the firmware configuration
25	XALERT	I	Input from bq29312A XALERT output.
26	MRST	I	Master reset input that forces the device into reset when held high
27	SR2	IA	Connections for a small-value sense resistor to monitor the battery charge- and discharge-current flow
28	SR1	IA	Connections for a small-value sense resistor to monitor the battery charge- and discharge-current flow
31	VDDA	P	Positive supply for analog circuitry
32	FILT	IA	Analog input connected to the external PLL filter components which are a 150-pF capacitor to V _{SSA} , in parallel with a 61.9-k Ω resistor and a 2200-pF capacitor in series. Place these components as close as possible to the bq20z80 to ensure optimal performance.
33	XCK2/ROSC	O	32.768-kHz crystal oscillator output pin or connected to a 100k, 50ppm or better resistor if the internal oscillator is used
34	XCK1/VSSA	I	32.768-kHz crystal oscillator input pin or connected to VSSA if the internal oscillator is used
35	CLKOUT	O	32.768-kHz output for the bq29312. This pin should be directly connected to the AFE.
36, 37	NC	-	Not used— leave floating
11, 19, 38	VSSD	P	Negative supply for digital circuitry
29, 30	VSSA	P	Negative supply for analog circuitry.

(1) I = Input, IA = Analog input, I/O = Input/output, I/OD = Input/Open-drain output, O = Output, OA = Analog output, P = Power

ABSOLUTE MAXIMUM RATINGS

over operating free-air temperature range (unless otherwise noted)⁽¹⁾

		RANGE
V _{DDA} and V _{DDD} relative to V _{SS} ⁽²⁾	Supply voltage range	-0.3 V to 4.1 V
V _(IOD) relative to V _{SS} ⁽²⁾	Open-drain I/O pins	-0.3 V to 6 V
V _I relative to V _{SS} ⁽²⁾	Input voltage range to all other pins	-0.3 V to V _{DDA} + 0.3 V
T _A	Operating free-air temperature range	-40°C to 85°C
T _{stg}	Storage temperature range	-65°C to 150°C

- (1) Stresses beyond those listed under absolute maximum ratings may cause permanent damage to the device. These are stress ratings only, and functional operation of the device at these or any other conditions beyond those indicated under recommended operating conditions is not implied. Exposure to absolute-maximum-rated conditions for extended periods may affect device reliability.
- (2) V_{SS} refers to the common node of V_(SSA) and V_(SSD).

ELECTRICAL CHARACTERISTICS

V_{DD} = 3 V to 3.6 V, T_A = -40°C to 85°C (unless otherwise noted)

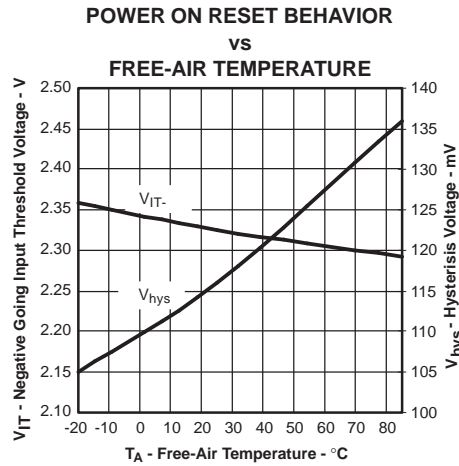
PARAMETER		TEST CONDITIONS	MIN	TYP	MAX	UNIT
V _{DD}	Supply voltage	V _{DDA} and V _{DDD}	3	3.3	3.6	V
I _{DD}	Operating mode current	No flash programming		350 ⁽¹⁾		μA
		bq20z80 + bq29312A		375		
I _(SLP)	Low-power storage mode current	Sleep mode		8 ⁽¹⁾		μA
		bq20z80 + bq29312A		28		
I _(SLP)	Shutdown Current	Shutdown Mode		0.1 ⁽¹⁾		μA
		bq20z80 + bq29312A		0.1		
V _{OL}	Output voltage low SMBC, SMBD, SDATA, SCLK, $\overline{\text{SAFE}}$, SAFE, PU	I _{OL} = 0.5 mA			0.4	V
	LED1 – LED5	I _{OL} = 10 mA			0.4	V
V _{OH}	Output high voltage, SMBC, SMBD, SDATA, SCLK, $\overline{\text{SAFE}}$, SAFE, PU	I _{OH} = -1 mA	V _{DD} - 0.5			V
V _{IL}	Input voltage low SMBC, SMBD, SDATA, SCLK, XALERT, PRES, PFIN		-0.3		0.8	V
	DISP		-0.3		0.8	V
V _{IH}	Input voltage high SMBC, SMBD, SDATA, SCLK, XALERT, PRES, PFIN		2		6	V
	DISP		2	V _{DD} + 0.3		V
C _{IN}	Input capacitance			5		pF
V _(AI1)	Input voltage range VIN, TS1, TS2		V _{SS} - 0.3		0.8 x V _{DD}	V
V _(AI2)	Input voltage range SR1, SR2		V _{SS} - 0.25		0.25	V
Z _(AI1)	Input impedance SR1, SR2	0 V–1 V	2.5			MΩ
Z _(AI2)	Input impedance VIN, TS1, TS2	0 V–1 V	8			MΩ

- (1) This value does not include the bq29312A

POWER-ON RESET

$V_{DD} = 3\text{ V to }3.6\text{ V}$, $T_A = -40^\circ\text{C to }85^\circ\text{C}$ (unless otherwise noted)

PARAMETER	TEST CONDITIONS	MIN	TYP	MAX	UNIT
V_{IT-} Negative-going voltage input		2.1	2.3	2.5	V
V_{HYS} Power-on reset hysteresis		50	150	200	mV



INTEGRATING ADC (Coulomb Counter) CHARACTERISTICS

$V_{DD} = 3\text{ V to }3.6\text{ V}$, $T_A = -40^\circ\text{C to }85^\circ\text{C}$ (unless otherwise noted)

PARAMETER	TEST CONDITIONS	MIN	TYP	MAX	UNIT
$V_{(SR)}$ Input voltage range, $V_{(SR2)}$ and $V_{(SR1)}$	$V_{(SR)} = V_{(SR2)} - V_{(SR1)}$	-0.25		0.25	V
$V_{(SROS)}$ Input offset			1		μV
INL Integral nonlinearity error			0.004%	0.019%	

PLL SWITCHING CHARACTERISTICS

$V_{DD} = 3\text{ V to }3.6\text{ V}$, $T_A = -40^\circ\text{C to }85^\circ\text{C}$ (unless otherwise noted)

PARAMETER	TEST CONDITIONS	MIN	TYP	MAX	UNIT
$t_{(SP)}$ Start-up time ⁽¹⁾	0.5% frequency error		2	5	ms

(1) The frequency error is measured from the trimmed frequency of the internal system clock which is 128 oscillator frequency, nominally 4.194 MHz.

OSCILLATOR

$V_{DD} = 3\text{ V to }3.6\text{ V}$, $T_A = -40^\circ\text{C to }85^\circ\text{C}$ (unless otherwise noted)

PARAMETER	TEST CONDITIONS	MIN	TYP	MAX	UNIT
$f_{(exo)}$ Frequency error from 32.768 kHz	ROSC = 100 k Ω	-2%	0.25%	2%	
	ROSC = 100 k Ω , $V_{DD} = 3.3\text{ V}$	-1%	0.25%	1%	
	XCK1 = 12-pF XTAL	-0.25%		0.25%	
$f_{(sxo)}$ Start-up time ⁽¹⁾	ROSC = 100 k Ω			250	μs
	XCK1 = 12-pF XTAL			200	ms

(1) The start-up time is defined as the time it takes for the oscillator output frequency to be within 1% of the specified frequency.

DATA FLASH MEMORY CHARACTERISTICS

$V_{DD} = 3\text{ V to }3.6\text{ V}$, $T_A = -40^\circ\text{C to }85^\circ\text{C}$ (unless otherwise noted)

PARAMETER		TEST CONDITIONS	MIN	TYP	MAX	UNIT
t_{DR}	Data retention	See (1)	10			Years
	Flash programming write-cycles	See (1)	20,000			Cycles
$t_{(WORDPROG)}$	Word programming time	See (1)			2	ms
$I_{(DDPROG)}$	Flash-write supply current	See (1)		8	15	mA

(1) Assured by design. Not production tested

REGISTER BACKUP

$V_{DD} = 3\text{ V to }3.6\text{ V}$, $T_A = -40^\circ\text{C to }85^\circ\text{C}$ (unless otherwise noted)

PARAMETER		TEST CONDITIONS	MIN	TYP	MAX	UNIT
$I_{(RBI)}$	RBI data-retention input current	$V_{(RBI)} > 3\text{ V}$, $V_{DD} < V_{IT}$		10	100	nA
$V_{(RBI)}$	RBI data-retention voltage ⁽¹⁾		1.3			V

(1) Specified by design. Not production tested.

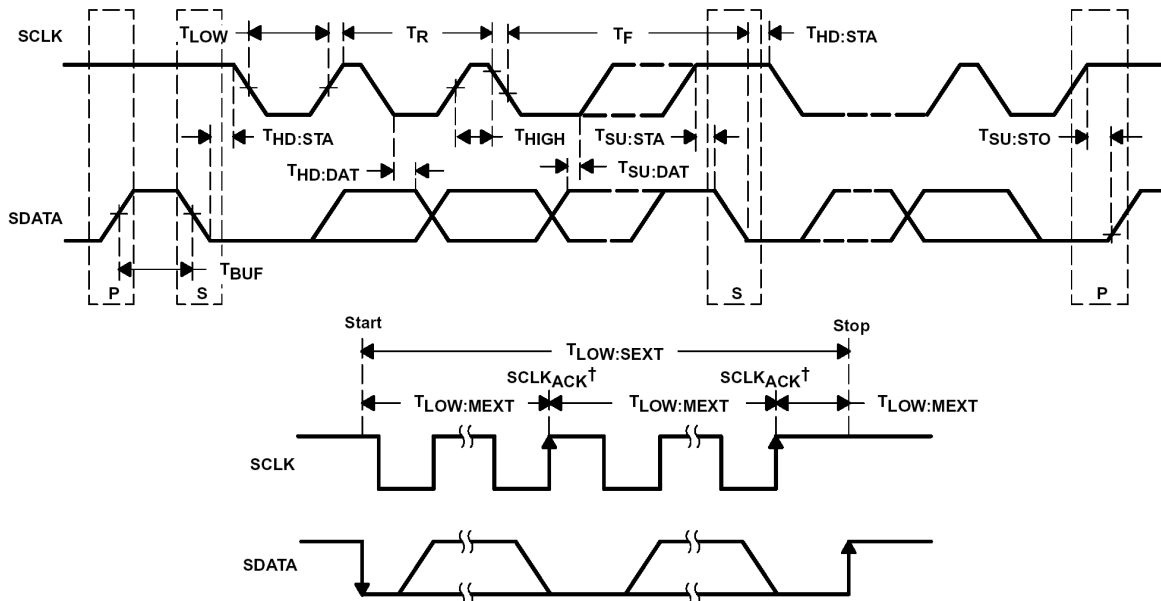
SMBus TIMING SPECIFICATIONS

$V_{DD} = 3\text{ V to }3.6\text{ V}$, $T_A = -40^{\circ}\text{C to }85^{\circ}\text{C}$ (unless otherwise noted)

PARAMETER	TEST CONDITIONS	MIN	TYP	MAX	UNIT
f_{SMB}	SMBus operating frequency	Slave mode, SMBC 50% duty cycle	10	100	kHz
f_{MAS}	SMBus master clock frequency	Master mode, no clock low slave extend	51.2		
t_{BUF}	Bus free time between start and stop		4.7		μs
$t_{HD:STA}$	Hold time after (repeated) start		4		
$t_{SU:STA}$	Repeated start setup time		4.7		
$t_{SU:STO}$	Stop setup time		4		ns
$t_{HD:DAT}$	Data hold time	Receive mode	0		
		Transmit mode	300		
$t_{SU:DAT}$	Data setup time		250		ms
$t_{TIMEOUT}$	Error signal/detect	See (1)	25	35	
t_{LOW}	Clock low period		4.7		μs
t_{HIGH}	Clock high period	See (2)	4	50	
$t_{LOW:SEXT}$	Cumulative clock low slave extend time	See (3)		25	ms
$t_{LOW:MEXT}$	Cumulative clock low master extend time	See (4)		10	
t_F	Clock/data fall time	$(V_{ILMAX} - 0.15\text{ V})$ to $(V_{IHMIN} + 0.15\text{ V})$		300	ns
t_R	Clock/data rise time	0.9 VDD to $(V_{ILMAX} - 0.15\text{ V})$		1000	

- (1) The bq20z80 times out when any clock low exceeds $t_{TIMEOUT}$.
- (2) $t_{HIGH:MAX}$ is minimum bus idle time. SMBC = 1 for $t > 50\ \mu\text{s}$ causes reset of any transaction involving the bq20z80 that is in progress.
- (3) $t_{LOW:SEXT}$ is the cumulative time a slave device is allowed to extend the clock cycles in one message from initial start to the stop.
- (4) $t_{LOW:MEXT}$ is the cumulative time a master device is allowed to extend the clock cycles in one message from initial start to the stop.

SMBus TIMING DIAGRAM



$SCLKACK^{\dagger}$ is the acknowledge-related clock pulse generated by the master.

FEATURE SET

NOTE:

The bq20z80-V102 is designed to work with the bq29312A AFE. The bq20z80 features are only available with the bq29312A.

Primary (1st Level) Safety Features

The bq20z80 supports a wide range of battery and system protection features that can easily be configured. The primary safety features includes:

- Battery cell over/under voltage protection
- Battery pack over/under voltage protection
- 2 independent charge overcurrent protection
- 3 independent discharge overcurrent protection
- Short circuit protection
- Over temperature protection
- Host watchdog

Secondary (2nd Level) Safety Features

The secondary safety features of the bq20z80 can be used to indicate more serious faults via the SAFE (pin 7) and SAFE (pin 12) pins. These pins can be used to blow a in-line fuse to permanently disable the battery pack from charging or discharging. The secondary safety features includes:

- Safety over voltage
- Battery cell imbalance
- 2nd level protection IC input
- Safety over current
- Safety over temperature
- Open thermistor
- Charge FET and 0 Volt Charge FET fault
- Discharge FET fault
- Fuse blow failure detection
- AFE communication error
- Internal flash data error

Charge Control Features

The bq20z80 charge control features includes:

- Report the appropriate charging current needed for constant current charging and the appropriate charging voltage needed for constant voltage charging to a smart charger using SMBus broadcasts.
- Determines the chemical state of charge of each battery cell using Impedance Track™ and can reduce the charge difference of the battery cells in fully charged state of the battery pack gradually using cell balancing algorithm during charging. This prevents fully charged cells from overcharging causing excessive degradation and also increases the usable pack energy by preventing to early charge termination
- supports pre-charging/zero-volt charging
- support fast charging
- supports pulse charging
- detects charge termination
- report charging faults and also indicate charge status via charge and discharge alarms.

FEATURE SET (continued)

Gas Gauging

The bq20z80 uses the Impedance Track™ Technology to measure and calculate the available charge in battery cells. The achievable accuracy is better than the coulomb counting method over the lifetime of the battery and there is no full charge discharge learning cycle required.

See *Theory and Implementation of Impedance Track Battery Fuel-Gauging Algorithm* application note (SLUA364) for further details.

LED Display

The bq20z80 can drive 3-, 4-, or 5- segment LED display for remaining capacity indication.

LifeTime Data Logging Features

The bq20z80 offers a lifetime data logging array, where all important measurements are stored for warranty and analysis purposes. The data monitored includes:

- Lifetime maximum temperature
- Lifetime minimum temperature
- Lifetime maximum battery cell voltage
- Lifetime minimum battery cell voltage
- Lifetime maximum battery pack voltage
- Lifetime minimum battery pack voltage
- Lifetime maximum charge current
- Lifetime maximum discharge current
- Lifetime maximum charge power
- Lifetime maximum discharge power
- Lifetime maximum average discharge current
- Lifetime maximum average discharge power
- Lifetime average temperature

Authentication

The bq20z80 supports authentication by the host using SHA-1.

Power Modes

The bq20z80 supports 3 different power modes to reduce power consumption:

- In Normal Mode, the bq20z80 performs measurements, calculations, protection decisions, data update in 1 second intervals. Between these intervals, the bq20z80 is in a reduced power stage.
- In Sleep Mode, the bq20z80 performs measurements, calculations, protection decisions, data update in adjustable time intervals. Between these intervals, the bq20z80 is in a reduced power stage.
- In Shutdown Mode the bq20z80 is completely disabled.

CONFIGURATION

Oscillator Function

The oscillator of the bq20z80 can be set up for internal or external operation. On power up, the bq20z80 automatically attempts to start the internal oscillator. If a 100-k Ω resistor is not connected to ROSC (pin 33), then it attempts to start the oscillator using an external 32.768-kHz crystal.

NOTE:

Install either the 100-k Ω ROSC resistor *or* the 12-pF, 32.768-kHz crystal. Do not install both.

FEATURE SET (continued)

The performance of the internal oscillator depends on the tolerance of the 100-k Ω resistor between RSOC (pin 33) and VSSA (pin 34). Choose a resistor with a tolerance of $\pm 0.1\%$, and 50-ppm or better temperature drift. Place this resistor as close as possible to the bq20z80. If a 12-pF crystal is used, place it as close as possible to the XCK1 (pin 34) and XCK2 (pin 33) pins. If not properly implemented, the PCB layout in this area can degrade oscillator performance.

System Present Operation

The bq20z80 pulls the PU pin high periodically (1 s). Connect this pin to the $\overline{\text{PRES}}$ pin of the bq20z80 via a resistor of approximately 5 k Ω . The bq20z80 measures the $\overline{\text{PRES}}$ input during the PU-active period to determine its state. If $\overline{\text{PRES}}$ input is pulled to ground by external system, the bq20z80 detects this as system present.

BATTERY PARAMETER MEASUREMENTS

The bq20z80 uses an integrating delta-sigma analog-to-digital converter (ADC) for current measurement, and a second delta-sigma ADC for individual cell and battery voltage, and temperature measurement.

Charge and Discharge Counting

The integrating delta-sigma ADC measures the charge/discharge flow of the battery by measuring the voltage drop across a small-value sense resistor between the SR1 and SR2 pins. The integrating ADC measures bipolar signals from -0.25 V to 0.25 V. The bq20z80 detects charge activity when $V_{\text{SR}} = V_{(\text{SR}1)} - V_{(\text{SR}2)}$ is positive and discharge activity when $V_{\text{SR}} = V_{(\text{SR}1)} - V_{(\text{SR}2)}$ is negative. The bq20z80 continuously integrates the signal over time, using an internal counter. The fundamental rate of the counter is 0.65 nVh.

Voltage

The bq20z80 updates the individual series cell voltages through the bq29312A at one second intervals. The bq20z80 configures the bq29312A to connect the selected cell, cell offset, or bq29312A VREF to the CELL pin of the bq29312A, which is required to be connected to VIN of the bq20z80. The internal ADC of the bq20z80 measures the voltage, scales and calibrates it appropriately. This data is also used to calculate the impedance of the cell for the Impedance Track™ gas-gauging.

Current

The bq20z80 uses the SR1 and SR2 inputs to measure and calculate the battery charge and discharge current using a 5 m Ω to 20 m Ω typ. sense resistor.

Auto Calibration

The bq20z80 provides an auto-calibration feature to cancel the voltage offset error across SR1 and SR2 for maximum charge measurement accuracy. The bq20z80 performs auto-calibration when the SMBus lines stay low continuously for a minimum of 5 s.

Temperature

The bq20z80 TS1 and TS2 inputs, in conjunction with two identical NTC thermistors (default are Semitec 103AT), measure the battery environmental temperature. The bq20z80 can also be configured to use its internal temperature sensor.

COMMUNICATIONS

The bq20z80 uses SMBus v1.1 with Master Mode and package error checking (PEC) options per the SBS specification.

SMBus On and Off State

The bq20z80 detects an SMBus off state when SMBC and SMBD are logic-low greater than an adjustable period of time. Clearing this state requires either SMBC or SMBD to transition high. Within 1 ms, the communication bus is available.

FEATURE SET (continued)
SBS and Dataflash Values
Table 1. SBS COMMANDS

SBS Cmd	Mode	Name	Format	Size in Bytes	Min Value	Max Value	Default Value	Unit
0x00	R/W	ManufacturerAccess	hex	2	0x0000	0xffff	—	
0x01	R/W	RemainingCapacityAlarm	unsigned int	2	0	65535	—	mAh or 10mWh
0x02	R/W	RemainingTimeAlarm	unsigned int	2	0	65535	—	min
0x03	R/W	BatteryMode	hex	2	0x0000	0xffff	—	
0x04	R/W	AtRate	signed int	2	-32768	32767	—	mA or 10mW
0x05	R	AtRateTimeToFull	unsigned int	2	0	65535	—	min
0x06	R	AtRateTimeToEmpty	unsigned int	2	0	65535	—	min
0x07	R	AtRateOK	unsigned int	2	0	65535	—	
0x08	R	Temperature	unsigned int	2	0	65535	—	0.1°K
0x09	R	Voltage	unsigned int	2	0	20000	—	mV
0x0a	R	Current	signed int	2	-32768	32767	—	mA
0x0b	R	AverageCurrent	signed int	2	-32768	32767	—	mA
0x0c	R	MaxError	unsigned int	1	0	100	—	%
0x0d	R	RelativeStateOfCharge	unsigned int	1	0	100	—	%
0x0e	R	AbsoluteStateOfCharge	unsigned int	1	0	100	—	%
0x0f	R	RemainingCapacity	unsigned int	2	0	65535	—	mAh or 10mWh
0x10	R	FullChargeCapacity	unsigned int	2	0	65535	—	mAh or 10mWh
0x11	R	RunTimeToEmpty	unsigned int	2	0	65535	—	min
0x12	R	AverageTimeToEmpty	unsigned int	2	0	65535	—	min
0x13	R	AverageTimeToFull	unsigned int	2	0	65535	—	min
0x14	R	ChargingCurrent	unsigned int	2	0	65535	—	mA
0x15	R	ChargingVoltage	unsigned int	2	0	65535	—	mV
0x16	R	BatteryStatus	unsigned int	2	0x0000	0xffff	—	
0x17	R/W	CycleCount	unsigned int	2	0	65535	—	
0x18	R/W	DesignCapacity	unsigned int	2	0	65535		mAh or 10mWh
0x19	R/W	DesignVoltage	unsigned int	2	7000	16000	14400	mV
0x1a	R/W	SpecificationInfo	unsigned int	2	0x0000	0xffff	0x0031	
0x1b	R/W	ManufactureDate	unsigned int	2	0	65535	0	
0x1c	R/W	SerialNumber	hex	2	0x0000	0xffff	0x0001	
0x20	R/W	ManufacturerName	String	11+1	—	—	Texas Instruments	ASCII
0x21	R/W	DeviceName	String	7+1	—	—	bq20z80	ASCII
0x22	R/W	DeviceChemistry	String	4+1	—	—	LION	ASCII
0x23	R	ManufacturerData	String	14+1	—	—	—	ASCII
0x2f	R/W	Authenticate	String	20+1	—	—	—	ASCII
0x3c	R	CellVoltage4	unsigned int	2	0	65535		mV
0x3d	R	CellVoltage3	unsigned int	2	0	65535		mV
0x3e	R	CellVoltage2	unsigned int	2	0	65535		mV
0x3f	R	CellVoltage1	unsigned int	2	0	65535		mV

Table 2. EXTENDED SBS COMMANDS

SBS Cmd	Mode	Name	Format	Size in Bytes	Min Value	Max Value	Default Value	Unit
0x45	R	AFEDData	String	11+1	—	—	—	ASCII
0x46	R/W	FETControl	hex	1	0x00	0xff	—	
0x4f	R	StateOfHealth	unsigned int	1	0	100	—	%
0x50	R	SafetyAlert	hex	2	0x0000	0xffff	—	
0x51	R	SafetyStatus	hex	2	0x0000	0xffff	—	
0x52	R	PFAAlert	hex	2	0x0000	0xffff	—	
0x53	R	PFStatus	hex	2	0x0000	0xffff	—	
0x54	R	OperationStatus	hex	2	0x0000	0xffff	—	
0x55	R	ChargingStatus	hex	2	0x0000	0xffff	—	
0x57	R	ResetData	hex	2	0x0000	0xffff	—	
0x58	R	WDRResetData	unsigned int	2	0	65535	—	
0x5a	R	PackVoltage	unsigned int	2	0	65535	—	mV
0x5d	R	AverageVoltage	unsigned int	2	0	65535	—	mV
0x60	R/W	UnSealKey	hex	4	0x00000000	0xffffffff	—	
0x62	R/W	PFKey	hex	4	0x00000000	0xffffffff	—	
0x63	R/W	AuthenKey3	hex	4	0x00000000	0xffffffff	—	
0x64	R/W	AuthenKey2	hex	4	0x00000000	0xffffffff	—	
0x65	R/W	AuthenKey1	hex	4	0x00000000	0xffffffff	—	
0x66	R/W	AuthenKey0	hex	4	0x00000000	0xffffffff	—	
0x70	R/W	ManufacturerInfo	String	8+1	—	—	—	
0x71	R/W	SenseResistor	unsigned int	2	0	65535	—	μΩ
0x77	R/W	DataflashClass	hex	2	0x0000	0xffff	—	
0x78	R/W	DataFlashSubClass1	hex	32	—	—	—	
0x79	R/W	DataFlashSubClass2	hex	32	—	—	—	
0x7a	R/W	DataFlashSubClass3	hex	32	—	—	—	
0x7b	R/W	DataFlashSubClass4	hex	32	—	—	—	
0x7c	R/W	DataFlashSubClass5	hex	32	—	—	—	
0x7d	R/W	DataFlashSubClass6	hex	32	—	—	—	
0x7e	R/W	DataFlashSubClass7	hex	32	—	—	—	
0x7f	R/W	DataFlashSubClass8	hex	32	—	—	—	

Table 3. DATAFLASH VALUES

Class	Subclass ID	Subclass	Offset	Name	Data Type	Min Value	Max Value	Default Value	Units
1st Level Safety	0	Voltage	0	COV Threshold	U2	3700	5000	4300	mV
			2	COV Time	U1	0	60	2	Sec
			3	COV Recovery	U2	0	4400	3900	mV
			5	COV Delta	U1	0	200	20	mV
			6	COV Temp. Hys	U1	0	250	100	0.1°C
			7	POV Threshold	U2	0	18000	17500	mV
			9	POV Time	U1	0	60	2	Sec
			10	POV Recovery	U2	0	17000	16000	mV
			12	CUV Threshold	U2	0	3500	2200	mV
			14	CUV Time	U1	0	60	2	Sec
			15	CUV Recovery	U2	0	3600	3000	mV
			17	PUV Threshold	U2	0	16000	11000	mV
			19	PUV Time	U1	0	60	2	Sec
			20	PUV Recovery	U2	0	16000	12000	mV

Table 3. DATAFLASH VALUES (continued)

Class	Subclass ID	Subclass	Offset	Name	Data Type	Min Value	Max Value	Default Value	Units			
1st Level Safety	1	Current	0	OC (1st Tier) Chg	U2	0	20000	6000	mA			
			2	OC (1st Tier) Chg Time	U1	0	60	2	sec			
			3	OC Chg Recovery	I2	-1000	1000	200	mA			
			5	OC (1st Tier) Dsg	U2	0	20000	6000	mA			
			7	OC (1st Tier) Dsg Time	U1	0	60	2	sec			
			8	OC Dsg Recovery	U2	0	1000	200	mA			
			10	OC (2nd Tier) Chg	U2	0	20000	8000	mA			
			12	OC (2nd Tier) Chg Time	U1	0	60	2	Sec			
			13	OC (2nd Tier) Dsg	U2	0	22000	8000	mA			
			15	OC (2nd Tier) Dsg Time	U1	0	60	2	Sec			
			16	Current Recovery Time	U1	0	60	8	Sec			
			17	AFE OC Dsg	H1	0x00	0x1f	0x12	hex			
			18	AFE OC Dsg Time	H1	0x00	0x0f	0x0f	hex			
			19	AFE OC Dsg Recovery	U2	10	1000	100	mA			
			21	AFE SC Chg Cfg	H1	0x00	0xff	0x77	hex			
22	AFE SC Dsg Cfg	H1	0x00	0xff	0x77	hex						
23	AFE SC Recovery	U2	0	200	1	mA						
1st Level Safety	2	Temperature	0	Over Temp Chg	U2	0	1200	550	0.1°C			
			2	OT Chg Time	U1	0	60	2	Sec			
			3	OT Chg Recovery	U2	0	1200	500	0.1°C			
			5	Over Temp Dsg	U2	0	1200	600	0.1°C			
			7	OT Dsg Time	U1	0	60	2	Sec			
			8	OT Dsg Recovery	U2	0	1200	550	0.1°C			
1st Level Safety	3	Host Comm	0	Host Watchdog Timeout	U1	0	255	0	Sec			
2nd Level Safety	16	Voltage	0	SOV Threshold	U2	0	20000	18000	mV			
			2	SOV Time	U1	0	30	0	Sec			
			3	Cell Imbalance Current	U1	0	200	5	mA			
			4	Cell Imbalance Fail Voltage	U2	0	5000	1000	mV			
			6	Cell Imbalance Time	U1	0	30	0	Sec			
			7	Battery Rest Time	U2	0	65535	1800	Sec			
			9	PFIN Detect Time	U1	0	30	0	Sec			
			2nd Level Safety	17	Current	0	SOC Chg	U2	0	30000	10000	mA
						2	SOC Chg Time	U1	0	30	0	Sec
3	SOC Dsg	U2				0	30000	10000	mA			
5	SOC Dsg Time	U1				0	30	0	Sec			
2nd Level Safety	18	Temperature	0	SOT Chg	U2	0	1200	650	0.1°C			
			2	SOT Chg Time	U1	0	30	0	Sec			
			3	SOT Dsg	U2	0	1200	750	0.1°C			
			5	SOT Dsg Time	U1	0	30	0	Sec			
			6	Open Thermistor	I2	-1000	1200	-333	0.1°C			
			8	Open Time	I1	0	30	0	Sec			
2nd Level Safety	19	FET Verification	0	FET Fail Limit	U2	0	500	20	mA			
			2	FET Fail Time	U1	0	30	0	Sec			
2nd Level Safety	20	AFE Verification	0	AFE Check Time	U1	0	255	0	Sec			
			1	AFE Fail Limit	U1	0	255	10	cnt			
			2	AFE Fail Recovery Time	U1	0	255	20	Sec			
			3	AFE Init Retry Limit	U1	0	255	6	num			
			4	AFE Init Limit	U1	0	255	20	cnt			
2nd Level Safety	21	Fuse Verification	0	Fuse Fail Limit	U2	0	20	2	mA			
			2	Fuse Fail Time	U1	0	30	0	Sec			

Table 3. DATAFLASH VALUES (continued)

Class	Subclass ID	Subclass	Offset	Name	Data Type	Min Value	Max Value	Default Value	Units
Charge Control	32	Charge Inhibit Cfg	0	Chg Inhibit Temp Low	I2	-400	1200	0	0.1°C
			2	Chg Inhibit Temp High	I2	-400	1200	450	0.1°C
			4	Temp Hys	I2	0	100	10	0.1°C
Charge Control	33	Pre-Charge Cfg	0	Pre-chg Current	U2	0	2000	250	mA
			2	Pre-chg Temp	I2	-400	1200	120	0.1°C
			4	Pre-chg Voltage	U2	0	20000	3000	mV
			6	Recovery Voltage	U2	0	20000	3100	mV
Charge Control	34	Fast Charge Cfg	0	Fast Charge Current	U2	0	10000	4000	mA
			2	Charging Voltage	U2	0	20000	16800	mV
			4	Over Charging Voltage	U2	0	2000	500	mV
			6	Delta Temp	I2	0	500	50	0.1°C
			8	Suspend Low Temp	I2	-400	1200	-50	0.1°C
			10	Suspend High Temp	I2	-400	1200	550	0.1°C
Charge Control	35	Pulse Charge Cfg	0	Turn ON Voltage	U2	0	5000	4150	mV
			2	Turn OFF Voltage	U2	0	5000	4250	mV
			4	Max ON Pulse Time	U1	0	240	240	S/4
			5	Min OFF Pulse Time	U1	0	240	0	S/4
			6	Max OFF Voltage	U2	0	5000	4270	mV
Charge Control	36	Termination Cfg.	0	Maintenance Current	U2	0	1000	0	mA
			2	Taper Current	U2	0	1000	250	mA
			6	Termination Voltage	U2	0	1000	300	mV
			8	Current Taper Window	U1	0	60	40	Sec
			9	TCA Set %	I1	-1	100	-1	%
			10	TCA Clear %	I1	-1	100	95	%
			11	FC Set %	I1	-1	100	-1	%
			12	FC Clear %	I1	-1	100	98	%
Charge Control	37	Cell Balancing Cfg	0	Min Cell Deviation	U2	0	65535	1750	Sec/mAH
Charge Control	38	Charging Faults	0	Over Charging Voltage	U2	0	3000	500	mV
			2	Over Charging Volt Time	U1	0	60	2	Sec
			3	Over Charging Current	U2	0	2000	500	mA
			5	Over Charging Curr Time	U1	0	60	2	Sec
			6	Over Charging Curr Recov	U2	0	2000	100	mA
			8	Depleted Voltage	U2	0	16000	8000	mV
			10	Depleted Voltage Time	U1	0	60	2	Sec
			11	Depleted Recovery	U2	0	16000	8500	mV
			13	Over Charge Capacity	U2	0	4000	300	mAh
			15	Over Charge Recovery	U2	0	100	2	mAh
			17	FC-MTO	U2	0	65535	10800	Sec
			19	PC-MTO	U2	0	65535	3600	Sec
			21	Charge Fault Cfg	H1	0x00	0xff	0	

Table 3. DATAFLASH VALUES (continued)

Class	Subclass ID	Subclass	Offset	Name	Data Type	Min Value	Max Value	Default Value	Units			
SBS Configuration	48	Data	0	Rem Cap Alarm	U2	0	700	300	mAh			
			2	Rem Time Alarm	U2	0	30	10	Min			
			4	Init Battery Mode	H2	0x0000	0xffff	0x0081	hex			
			6	Design Voltage	U2	7000	18000	14400	mV			
			8	Spec Info	H2	0x0000	0xffff	0x0031	hex			
			10	Manuf Date	U2	0	65355	0	date			
			12	Ser. Num.	H2	0x0000	0xffff	0x0001	hex			
			14	Cycle Count	U2	0	65355	0	cnt			
			16	CC Threshold	I2	100	32767	4400	mAh			
			18	CC %	U1	0	100	90	%			
			19	CF MaxError Limit	U1	0	100	100	%			
			20	Design Capacity	U2	0	65355	4400	mAh			
			22	Design Energy	U2	0	65355	6336	10mWh			
			24	Manuf Name	S12	-	-	Texas Inst.				
36	Device Name	S8	-	-	bq20z80							
44	Device Chemistry	S5	-	-	LION							
SBS Configuration	49	Configuration	0	TDA Set %	I1	-1	100	6	%			
			1	TDA Clear %	I1	-1	100	8	%			
			2	FD Set %	I1	-1	100	2	%			
			3	FD Clear %	I1	-1	100	5	%			
			4	TDA Set Volt Threshold	U2	0	16800	5000	mV			
			6	TDA Set Volt Time	U1	0	60	5	Sec			
			7	TDA Clear Volt	U2	0	16800	5500	mV			
			9	FD Set Volt Threshold	U2	0	16800	5000	mV			
			11	FD Volt Time	U1	0	60	5	Sec			
			12	FD Clear Volt	U2	0	16800	5500	mV			
			System Data	56	Manufacturer Data	0	Pack Lot Code	H2	0x0000	0xffff	0x0000	
						2	PCB Lot Code	H2	0x0000	0xffff	0x0000	
4	Firmware Version	H2				0x0000	0xffff	0x0000				
6	Hardware Revision	H2				0x0000	0xffff	0x0000				
8	Cell Revision	H2				0x0000	0xffff	0x0000				
System Data	58	Manufacturer Info	0	Manuf. Info	S9	-	-	12345678				
System Data	59	LifeTime Data	0	Lifetime Max Temp	I2	0	1400	300	0.1°C			
			2	Lifetime Min Temp	I2	-600	1400	200	0.1°C			
			4	Lifetime Max Cell Voltage	U2	0	65535	3500	mV			
			6	Lifetime Min Cell Voltage	U2	0	65535	3200	mV			
			8	Lifetime Max Pack Voltage	U2	0	65535	14000	mV			
			10	Lifetime Min Pack Voltage	U2	0	65535	12800	mV			
			12	Lifetime Max Chg Current	I2	-32768	32767	1500	mA			
			14	Lifetime Max Dsg Current	I2	-32768	32767	-3000	mA			
			16	Lifetime Max Chg Power	I2	-32768	32767	1500	10mW			
			18	Lifetime Max Dsg Power	I2	-32768	32767	-1500	10mW			
			22	Life Max AvgDsg Cur	I2	-32768	32767	-1000	mA			
			26	Life Max AvgDsg Pow	I2	-32768	32767	-1500	10mW			
			28	Lifetime Avg Temp	I2	0	1400	250	0.1°C			
System Data	60	LifeTime Temp Samples	0	LT Temp Samples	U4	0	140000000	0	num			

Table 3. DATAFLASH VALUES (continued)

Class	Subclass ID	Subclass	Offset	Name	Data Type	Min Value	Max Value	Default Value	Units			
Configuration	64	Registers	0	Operation Cfg A	H2	0x0000	0xffff	0x0F29				
			2	Operation Cfg B	H2	0x0000	0xffff	0x6440				
			4	Permanent Fail Cfg	H2	0x0000	0xffff	0x0000				
			6	Non-Removable Cfg	H2	0x0000	0xffff	0x0000	hex			
LED Support	67	LED Cfg	0	LED Flash Rate	U2	0	65535	512	500µs			
			2	LED Blink Rate	U2	0	65535	1024	500µs			
			4	LED Delay	U2	1	65535	100	500µs			
			6	LED Hold Time	U1	0	255	4	s			
			7	CHG Flash Alarm	I1	-1	101	10	%			
			8	CHG Thresh 1	I1	-1	101	0	%			
			9	CHG Thresh 2	I1	-1	101	20	%			
			10	CHG Thresh 3	I1	-1	101	40	%			
			11	CHG Thresh 4	I1	-1	101	60	%			
			12	CHG Thresh 5	I1	-1	101	80	%			
			13	DSG Flash Alarm	I1	-1	101	10	%			
			14	DSG Thresh 1	I1	-1	101	0	%			
			15	DSG Thresh 2	I1	-1	101	20	%			
			16	DSG Thresh 3	I1	-1	101	40	%			
			17	DSG Thresh 4	I1	-1	101	60	%			
			18	DSG Thresh 5	I1	-1	101	60	%			
			Power	68	Power	0	Flash Update OK Voltage	U2	6000	20000	7500	mV
						2	Shutdown Voltage	U2	5000	20000	7000	mV
4	Shutdown Time	U1				0	60	10	Sec			
5	Charger Present	U2				0	23000	12000	mV			
7	Sleep Current	U2				0	100	10	mA			
9	Bus Low Time	U1				0	255	5	Sec			
10	Cal Inhibit Temp Low	I2				-400	1200	50	0.1°C			
12	Cal Inhibit Temp High	I2				-400	1200	450	0.1°C			
14	Sleep Voltage Time	U1				0	100	5	Sec			
15	Sleep Current Time	U1	0	255	20	Sec						
Gas Gauging	80	IT Cfg	0	Load Select	U1	0	255	3	num			
			1	Load Mode	U1	0	255	0	num			
			45	Term Voltage	I2	-32768	32767	12000	mV			
			60	User Rate-mA	I2	-9000	-2000	0	mA			
			62	User Rate-mW	I2	-14000	-3000	0	10mW			
			64	Reserve Cap-mAh	I2	0	9000	0	mAh			
			66	Reserve Cap-mWh	I2	0	14000	0	10mWh			
Gas Gauging	81	Current Thresholds	0	Dsg Current Threshold	U2	0	2000	100	mA			
			2	Chg Current Threshold	U2	0	2000	50	mA			
			4	Quit Current	U2	0	1000	10	mA			
			6	Dsg Relax Time	U1	0	255	1	Sec			
			7	Chg Relax Time	U1	0	255	60	Sec			

Table 3. DATAFLASH VALUES (continued)

Class	Subclass ID	Subclass	Offset	Name	Data Type	Min Value	Max Value	Default Value	Units
Gas Gauging	82	State	0	Qmax Cell 0	U2	0	65535	4400	mAh
			2	Qmax Cell 1	U2	0	65535	4400	mAh
			4	Qmax Cell 2	U2	0	65535	4400	mAh
			6	Qmax Cell 3	U2	0	65535	4400	mAh
			8	Qmax Pack	U2	0	65535	4400	mAh
			12	Update Status	H1	0x00	0x06	0x00	num
			21	Avg I Last Run	I2	-32768	32767	-2000	mA
			23	Avg P Last Run	I2	-32768	32767	-3022	10mW
			25	Delta Voltage	I2	-32768	32767	0	mV
Ra Table	88	R_a0	0	Cell0 R_a flag	H2	0x0000	0xffff	0xff55	
			2	Cell0 R_a 0	I2	-32768	32767	160	mΩ at 0°C
			4	Cell0 R_a 1	I2	-32768	32767	166	mΩ at 0°C
			6	Cell0 R_a 2	I2	-32768	32767	153	mΩ at 0°C
			8	Cell0 R_a 3	I2	-32768	32767	151	mΩ at 0°C
			10	Cell0 R_a 4	I2	-32768	32767	145	mΩ at 0°C
			12	Cell0 R_a 5	I2	-32768	32767	152	mΩ at 0°C
			14	Cell0 R_a 6	I2	-32768	32767	176	mΩ at 0°C
			16	Cell0 R_a 7	I2	-32768	32767	204	mΩ at 0°C
			18	Cell0 R_a 8	I2	-32768	32767	222	mΩ at 0°C
			20	Cell0 R_a 9	I2	-32768	32767	254	mΩ at 0°C
			22	Cell0 R_a 10	I2	-32768	32767	315	mΩ at 0°C
			24	Cell0 R_a 11	I2	-32768	32767	437	mΩ at 0°C
			26	Cell0 R_a 12	I2	-32768	32767	651	mΩ at 0°C
			28	Cell0 R_a 13	I2	-32768	32767	1001	mΩ at 0°C
30	Cell0 R_a 14	I2	-32768	32767	1458	mΩ at 0°C			
Ra Table	89	R_a1	0	Cell1 R_a flag	H2	0x0000	0xffff	0xff55	
			2	Cell1 R_a 0	I2	-32768	32767	160	mΩ at 0°C
			4	Cell1 R_a 1	I2	-32768	32767	166	mΩ at 0°C
			6	Cell1 R_a 2	I2	-32768	32767	153	mΩ at 0°C
			8	Cell1 R_a 3	I2	-32768	32767	151	mΩ at 0°C
			10	Cell1 R_a 4	I2	-32768	32767	145	mΩ at 0°C
			12	Cell1 R_a 5	I2	-32768	32767	152	mΩ at 0°C
			14	Cell1 R_a 6	I2	-32768	32767	176	mΩ at 0°C
			16	Cell1 R_a 7	I2	-32768	32767	204	mΩ at 0°C
			18	Cell1 R_a 8	I2	-32768	32767	222	mΩ at 0°C
			20	Cell1 R_a 9	I2	-32768	32767	254	mΩ at 0°C
			22	Cell1 R_a 10	I2	-32768	32767	315	mΩ at 0°C
			24	Cell1 R_a 11	I2	-32768	32767	437	mΩ at 0°C
			26	Cell1 R_a 12	I2	-32768	32767	651	mΩ at 0°C
			28	Cell1 R_a 13	I2	-32768	32767	1001	mΩ at 0°C
30	Cell1 R_a 14	I2	-32768	32767	1458	mΩ at 0°C			
Ra Table	90	R_a2	0	Cell2 R_a flag	H2	0x0000	0xffff	0xff55	
			2	Cell2 R_a 0	I2	-32768	32767	160	mΩ at 0°C
			4	Cell2 R_a 1	I2	-32768	32767	166	mΩ at 0°C
			6	Cell2 R_a 2	I2	-32768	32767	153	mΩ at 0°C
			8	Cell2 R_a 3	I2	-32768	32767	151	mΩ at 0°C
			10	Cell2 R_a 4	I2	-32768	32767	145	mΩ at 0°C
			12	Cell2 R_a 5	I2	-32768	32767	152	mΩ at 0°C
			14	Cell2 R_a 6	I2	-32768	32767	176	mΩ at 0°C
16	Cell2 R_a 7	I2	-32768	32767	204	mΩ at 0°C			

Table 3. DATAFLASH VALUES (continued)

Class	Subclass ID	Subclass	Offset	Name	Data Type	Min Value	Max Value	Default Value	Units
			18	Cell2 R_a 8	I2	-32768	32767	222	mΩ at 0°C
			20	Cell2 R_a 9	I2	-32768	32767	254	mΩ at 0°C
			22	Cell2 R_a 10	I2	-32768	32767	315	mΩ at 0°C
			24	Cell2 R_a 11	I2	-32768	32767	437	mΩ at 0°C
			26	Cell2 R_a 12	I2	-32768	32767	651	mΩ at 0°C
			28	Cell2 R_a 13	I2	-32768	32767	1001	mΩ at 0°C
			30	Cell2 R_a 14	I2	-32768	32767	1458	mΩ at 0°C
Ra Table	91	R_a3	0	Cell3 R_a flag	H2	0x0000	0xffff	0xff55	
			2	Cell3 R_a 0	I2	-32768	32767	160	mΩ at 0°C
			4	Cell3 R_a 1	I2	-32768	32767	166	mΩ at 0°C
			6	Cell3 R_a 2	I2	-32768	32767	153	mΩ at 0°C
			8	Cell3 R_a 3	I2	-32768	32767	151	mΩ at 0°C
			10	Cell3 R_a 4	I2	-32768	32767	145	mΩ at 0°C
			12	Cell3 R_a 5	I2	-32768	32767	152	mΩ at 0°C
			14	Cell3 R_a 6	I2	-32768	32767	176	mΩ at 0°C
			16	Cell3 R_a 7	I2	-32768	32767	204	mΩ at 0°C
			18	Cell3 R_a 8	I2	-32768	32767	222	mΩ at 0°C
			20	Cell3 R_a 9	I2	-32768	32767	254	mΩ at 0°C
			22	Cell3 R_a 10	I2	-32768	32767	315	mΩ at 0°C
			24	Cell3 R_a 11	I2	-32768	32767	437	mΩ at 0°C
			26	Cell3 R_a 12	I2	-32768	32767	651	mΩ at 0°C
			28	Cell3 R_a 13	I2	-32768	32767	1001	mΩ at 0°C
			30	Cell3 R_a 14	I2	-32768	32767	1458	mΩ at 0°C
Ra Table	92	R_a0x	0	xCell0 R_a flag	H2	0x0000	0xffff	0xffff	
			2	xCell0 R_a 0	I2	-32768	32767	160	mΩ at 0°C
			4	xCell0 R_a 1	I2	-32768	32767	166	mΩ at 0°C
			6	xCell0 R_a 2	I2	-32768	32767	153	mΩ at 0°C
			8	xCell0 R_a 3	I2	-32768	32767	151	mΩ at 0°C
			10	xCell0 R_a 4	I2	-32768	32767	145	mΩ at 0°C
			12	xCell0 R_a 5	I2	-32768	32767	152	mΩ at 0°C
			14	xCell0 R_a 6	I2	-32768	32767	176	mΩ at 0°C
			16	xCell0 R_a 7	I2	-32768	32767	204	mΩ at 0°C
			18	xCell0 R_a 8	I2	-32768	32767	222	mΩ at 0°C
			20	xCell0 R_a 9	I2	-32768	32767	254	mΩ at 0°C
			22	xCell0 R_a 10	I2	-32768	32767	315	mΩ at 0°C
			24	xCell0 R_a 11	I2	-32768	32767	437	mΩ at 0°C
			26	xCell0 R_a 12	I2	-32768	32767	651	mΩ at 0°C
			28	xCell0 R_a 13	I2	-32768	32767	1001	mΩ at 0°C
			30	xCell0 R_a 14	I2	-32768	32767	1458	mΩ at 0°C
Ra Table	93	R_a1x	0	xCell1 R_a flag	H2	0x0000	0xffff	0xffff	
			2	xCell1 R_a 0	I2	-32768	32767	160	mΩ at 0°C
			4	xCell1 R_a 1	I2	-32768	32767	166	mΩ at 0°C
			6	xCell1 R_a 2	I2	-32768	32767	153	mΩ at 0°C
			8	xCell1 R_a 3	I2	-32768	32767	151	mΩ at 0°C
			10	xCell1 R_a 4	I2	-32768	32767	145	mΩ at 0°C
			12	xCell1 R_a 5	I2	-32768	32767	152	mΩ at 0°C
			14	xCell1 R_a 6	I2	-32768	32767	176	mΩ at 0°C
			16	xCell1 R_a 7	I2	-32768	32767	204	mΩ at 0°C
			18	xCell1 R_a 8	I2	-32768	32767	222	mΩ at 0°C
			20	xCell1 R_a 9	I2	-32768	32767	254	mΩ at 0°C

Table 3. DATAFLASH VALUES (continued)

Class	Subclass ID	Subclass	Offset	Name	Data Type	Min Value	Max Value	Default Value	Units
			22	xCell1 R_a 10	I2	-32768	32767	315	mΩ at 0°C
			24	xCell1 R_a 11	I2	-32768	32767	437	mΩ at 0°C
			26	xCell1 R_a 12	I2	-32768	32767	651	mΩ at 0°C
			28	xCell1 R_a 13	I2	-32768	32767	1001	mΩ at 0°C
			30	xCell1 R_a 14	I2	-32768	32767	1458	mΩ at 0°C
Ra Table	94	R_a2x	0	xCell2 R_a flag	H2	0x0000	0xffff	0xffff	
			2	xCell2 R_a 0	I2	-32768	32767	160	mΩ at 0°C
			4	xCell2 R_a 1	I2	-32768	32767	166	mΩ at 0°C
			6	xCell2 R_a 2	I2	-32768	32767	153	mΩ at 0°C
			8	xCell2 R_a 3	I2	-32768	32767	151	mΩ at 0°C
			10	xCell2 R_a 4	I2	-32768	32767	145	mΩ at 0°C
			12	xCell2 R_a 5	I2	-32768	32767	152	mΩ at 0°C
			14	xCell2 R_a 6	I2	-32768	32767	176	mΩ at 0°C
			16	xCell2 R_a 7	I2	-32768	32767	204	mΩ at 0°C
			18	xCell2 R_a 8	I2	-32768	32767	222	mΩ at 0°C
			20	xCell2 R_a 9	I2	-32768	32767	254	mΩ at 0°C
			22	xCell2 R_a 10	I2	-32768	32767	315	mΩ at 0°C
			24	xCell2 R_a 11	I2	-32768	32767	437	mΩ at 0°C
			26	xCell2 R_a 12	I2	-32768	32767	651	mΩ at 0°C
			28	xCell2 R_a 13	I2	-32768	32767	1001	mΩ at 0°C
			30	xCell2 R_a 14	I2	-32768	32767	1458	mΩ at 0°C
Ra Table	95	R_a3x	0	xCell3 R_a flag	H2	0x0000	0xffff	0xffff	
			2	xCell3 R_a 0	I2	-32768	32767	160	mΩ at 0°C
			4	xCell3 R_a 1	I2	-32768	32767	166	mΩ at 0°C
			6	xCell3 R_a 2	I2	-32768	32767	153	mΩ at 0°C
			8	xCell3 R_a 3	I2	-32768	32767	151	mΩ at 0°C
			10	xCell3 R_a 4	I2	-32768	32767	145	mΩ at 0°C
			12	xCell3 R_a 5	I2	-32768	32767	152	mΩ at 0°C
			14	xCell3 R_a 6	I2	-32768	32767	176	mΩ at 0°C
			16	xCell3 R_a 7	I2	-32768	32767	204	mΩ at 0°C
			18	xCell3 R_a 8	I2	-32768	32767	222	mΩ at 0°C
			20	xCell3 R_a 9	I2	-32768	32767	254	mΩ at 0°C
			22	xCell3 R_a 10	I2	-32768	32767	315	mΩ at 0°C
			24	xCell3 R_a 11	I2	-32768	32767	437	mΩ at 0°C
			26	xCell3 R_a 12	I2	-32768	32767	651	mΩ at 0°C
			28	xCell3 R_a 13	I2	-32768	32767	1001	mΩ at 0°C
			30	xCell3 R_a 14	I2	-32768	32767	1458	mΩ at 0°C
PF Status	96	Device Status Data	0	PF Flags 1	H2	0x0000	0xffff	0x0000	
			2	Fuse Flag	H2	0x0000	0xffff	0x0000	
			4	PF Voltage	U2	0	65535	0	mV
			6	PF C4 Voltage	U2	0	9999	0	mV
			8	PF C3 Voltage	U2	0	9999	0	mV
			10	PF C2 Voltage	U2	0	9999	0	mV
			12	PF C1 Voltage	U2	0	9999	0	mV
			14	PF Current	I2	-32768	32767	0	mA
			16	PF Temperature	U2	0	9999	0	0.1°K
			18	PF Batt Stat	H2	0x0000	0xffff	0x0000	
			20	PF RC-mAh	U2	0	65535	0	mAh
			22	PF RC-10mWh	U2	0	65535	0	10mWh
			24	PF Chg Status	H2	0x0000	0xffff	0x0000	

Table 3. DATAFLASH VALUES (continued)

Class	Subclass ID	Subclass	Offset	Name	Data Type	Min Value	Max Value	Default Value	Units
			26	PF Safety Status	H2	0x0000	0xffff	0x0000	
			28	PF Flags 2	H2	0x0000	0xffff	0x0000	
PF Status	97	AFE Regs	0	AFE Status	H1	0x00	0xffff	0x00	
			1	AFE Output	H1	0x00	0xffff	0x00	
			2	AFE State	H1	0x00	0xffff	0x00	
			3	AFE Function	H1	0x00	0xffff	0x00	
			4	AFE Cell Select	H1	0x00	0xffff	0x00	
			5	AFE OLV	H1	0x00	0xffff	0x00	
			6	AFE OLT	H1	0x00	0xffff	0x00	
			7	AFE SCC	H1	0x00	0xffff	0x00	
			8	AFE SCD	H1	0x00	0xffff	0x00	
Calibration	104	Data	0	CC Gain	F4	-1.00E+128	1.00E+128	0.471	num
			4	CC Delta	F4	-1.00E+128	1.00E+128	140500	num
			8	Ref Voltage	I2	0	32767	24500	50µV
			10	AFE Corr	U2	0	65535	1288	num
			12	AFE Pack Gain	U2	0	65535	30625	num
			14	CC Offset	I2	-32768	32767	-12250	num
			16	Board Offset	I1	-128	127	0	num
			17	Int Temp Offset	I1	-128	127	0	num
			18	Ext1 Temp Offset	I1	-128	127	0	num
			19	Ext2 Temp Offset	I1	-128	127	0	num
Calibration	105	Config	0	CC Current	U2	0	65535	3000	mA
			2	Voltage Signal	U2	0	65535	16800	mV
			4	Temp Signal	U2	0	65535	2980	0.1°K
			6	CC Offset Time	U2	0	65535	250	ms
			8	ADC Offset Time	U2	0	65535	32	ms
			10	CC Gain Time	U2	0	65535	250	ms
			12	Voltage Time	U2	0	65535	1984	ms
			14	Temperature Time	U2	0	65535	32	ms
			17	Cal Mode Timeout	U2	0	65535	38400	sec/128
Calibration	106	Temp Model	0	Ext Coef 1	I2	-32768	32767	-28285	Sec
			2	Ext Coef 2	I2	-32768	32767	20848	Sec
			4	Ext Coef 3	I2	-32768	32767	-7537	Sec
			6	Ext Coef 4	I2	-32768	32767	4012	Sec
			8	Ext Min AD	I2	-32768	32767	0	Sec
			10	Ext Max Temp	I2	-32768	32767	4012	Sec
			12	Int Coef 1	I2	-32768	32767	0	Sec
			14	Int Coef 2	I2	-32768	32767	0	Sec
			16	Int Coef 3	I2	-32768	32767	-11136	Sec
			18	Int Coef 4	I2	-32768	32767	5754	Sec
			20	Int Min AD	I2	-32768	32767	0	Sec
			22	Int Max Temp	I2	-32768	32767	5754	Sec
Calibration	107	Current	0	Filter	U1	0	255	239	mA
			1	Deadband	U1	0	255	3	mA
			2	CC Deadband	U1	0	255	34	nV+
			3	CC Max Deadband	U1	0	255	5	nV+
			4	CC Deadband Sample	U2	0	65535	256	num
			6	CC Max Offset Sample	U2	0	65535	64	num

Firmware Version Changes

bq20z80-V101 to bq20z80-V102 Changes

Table 4. CHANGE DETAILS

CHANGE	bq0z80-V102	bq20z80-V101	COMMENTS
Corrected to allow display to turn off when charging and button pushed.	LED display operates correctly during charging.	LED display would stay on until charging terminated after the button was pushed. Only occurs when LED display not configured to be always on during charging.	Correct operation of the LED display under all conditions
Allow negative LED thresholds to permit LED alarms to be disabled	Configuring negative LED alarm threshold disables LED alarm functionality.	Feature not available	Allow better customization
Allow zero values for ALARM and CHARGING LED blink rates to disable them	Configuring zero value for the LED blink rates disables them.	Feature not available	Allow better customization
Restore initialization of dodcharge in relaxed state so that the correct dodcharge value is used in capacity estimation	dodcharge initialized to the correct value	dodcharge value set to zero	Improved gauging accuracy with correct initialization of dodcharge value.
Only clear offset calibration flag when SMBus lines go high.	Prevents offset calibration occurring just because a safety condition occurs and then clears when the SMBus lines are low.	Offset calibration occurs multiple times if safety condition occurs when SMBus lines are low.	More appropriate period between offset calibrations when SMBus lines are low.
Change so that setting AFE Fail Limit to zero disables PF_AFE_C	Configurable option to allow disabling PF_AFE_C trigger	Feature not available.	Allow better customization
Enable LED display to turn off after charge termination and if SMBus lines are detected low and LEDs enabled during charging.	LED display turns off after charge termination.	LED display stays on when charging terminates after SMBus lines are detected low.	Correct operation of the LED display under all conditions
Set charge FET state immediately when entering sleep	Charge FET state set correctly, immediately after entering sleep	The CHG FET would not get set to the correct state for sleep until the first voltage measurement.	Quicker transition of FET to the correct state in sleep
Change <i>DF:Operation Cfg B [CCT = 0]</i> , so that <i>SBS.CycleCount()</i> threshold is in mA, not in % of FCC	Data flash default bases <i>SBS.CycleCount()</i> calculation on mA and not % of FCC	<i>DF:Operation Cfg B [CCT = 1]</i> , making the default <i>SBS.CycleCount()</i> calculation to be based on % of FCC	Data flash default changed to reflect common customer usage
When <i>DF:Operation Cfg B [CCT = 1]</i> , so that <i>SBS.CycleCount()</i> threshold is % of FCC, then <i>DF:CC Threshold</i> is used as a minimum for the <i>SBS.CycleCount()</i> threshold	Use <i>DF:CC Threshold</i> as the minimum to prevent rapid incrementing of the <i>SBS.Cyclecount()</i> , damaging the data flash	Small or negative <i>SBS.Full Charge Capacity()</i> values (should not occur under normal operation) from causing the <i>SBS.CycleCount()</i> incrementing rapidly, potentially damaging the data flash	Improved system reliability
When exiting the relaxed state to sleep, the initial charge capacity is correctly calculated	Corrected initial charge capacity calculation to be accurate when exiting relaxed state to sleep	If the relaxed state was exited to sleep after a valid DOD measurement (30-minute default value), then the initial charge capacity would not be recalculated and would result in an incorrect FCC value if the sleep state was exited before another valid DOD measurement (30-minute default value)	More reliable <i>SBS:FullChargeCapacity()</i> calculation under all system conditions

Table 4. CHANGE DETAILS (continued)

CHANGE	bq0z80-V102	bq20z80-V101	COMMENTS
Correct update of Remcap in relaxed state to use passed charge	Charge or discharge current accumulated in a relaxed state used to update Remcap	If the relaxed state was exited after the accumulation of significant charge or discharge current (over at most 100 seconds with default values), the RemCap and FCC would be in error by this charge. This is only significant if the relaxed state can exist with significant current as determined by application settings.	More reliable <i>SBS:FullChargeCapacity()</i> <i>SBS:RemainingCapacity()</i> calculation under all system conditions
Implement disable of resistance update based on accumulative scale. If the product of 15 consecutive (default value) resistance scale factors is less than 0.5 or more than 1.5, then resistance update is disabled until the next valid soc measurement. Sets bit 2 of Operation Status to indicate resistance update disabled.	Prevent invalid soc values from causing incorrect resistance updates	Incorrect resistance updates that could result from invalid soc values	More reliable resistance updates under all system conditions
Implement disable of resistance update based on estimated capacity error. Sets bit 2 of Operation Status to indicate resistance update disabled.	Prevent invalid soc values from causing incorrect resistance updates	Incorrect resistance updates that could result from invalid soc values	More reliable resistance updates under all system conditions
Disable Qmax increment if due to Grid 14 and exit of discharge	Prevent unnecessary Qmax increments	Qmax increments can occur due to Grid 14 and exit of discharge	Improved Qmax data reliability under all system conditions.
Drive all unused pins low	Provides better ESD immunity	Not all unused pins driven low	Improved ESD immunity
Initial charge capacity calculation when dod0 is measured in the overdischarged state is corrected	Overdischarged state does not affect the accuracy of FCC calculations	An incorrect initial charge capacity affects FCC that is calculated during discharge or a Qmax update. If FCC is not changed by a Qmax update, then reported RemainingCapacity could be negative after 5 hours of relaxation	More reliable <i>SBS:FullChargeCapacity()</i> <i>SBS:RemainingCapacity()</i> calculation under all system conditions
Correct calculation of FCC and RemCap when dod0 is taken when the battery is overdischarged or overcharged. This allows RemCap to go negative, or greater than FCC (though is only reported from 0 - FCC).	Overcharged/Overdischarged does not affect the accuracy of FCC and RemCap calculations	The RemainingCapacity will increment (or decrement) during charging (discharging) even when the battery is in an overdischarged (overcharged) state.	More reliable <i>SBS:FullChargeCapacity()</i> <i>SBS:RemainingCapacity()</i> calculation under all system conditions
Change cell imbalance <i>DF:Battery Rest Time</i> from 1 byte to 2 bytes and set the default value to 1800 seconds	New feature providing improved customization	Feature not available	Improved customization for Cell Imbalance detection
Use upper and lower limit for resistance accumulative scale. Set default values to 300% and 30%.			More reliable resistance updates under all system conditions
Add <i>DF:CF MaxError limit</i> for setting <i>SBS.BatteryMode()</i> [<i>CONDITION FLAG</i>]. Set default value to 100%.	New feature providing improved customization	Feature not available	Improved customization

Table 4. CHANGE DETAILS (continued)

CHANGE	bq0z80-V102	bq20z80-V101	COMMENTS
Use <i>SBS.AtRate()</i> , <i>UserRate</i> and <i>C/5</i> rate for relaxed capacity calculation, respectively, if set by Load Select; otherwise, use previous rate.			More reliable <i>SBS.FullChargeCapacity()</i> <i>SBS.RemainingCapacity()</i> calculation under all system conditions
Correct Host Watchdog from being reset by broadcasts	Host Watchdog functionality not affected by alarm or charger broadcasts	Host Watchdog reset by alarm or charger broadcasts	Reliable Host Watchdog functionality under all system conditions
The voltage table chemistry ID can be read by writing 0x0008 to <i>ManufacturerAccess</i> and then reading from <i>ManufacturerAccess</i> . The default chemistry ID is 0x0100	New feature providing more information	Feature not available	Improved information access
<i>SBS.BatteryMode()</i> is initialized on high transition of the SMBus lines to <i>DF:Init BatteryMode</i> , instead of always clearing <i>SBS.BatteryMode()</i> defined bits on high transition of the SMBus lines.	Customization allows for preserving <i>SBS.BatteryMode()</i> settings through SMBus line transitions	Feature not available	Improved customization
Broadcast timers are set correctly on high transition of SMBus lines. The timers are set to 10 seconds on high transition of SMBus lines.	Broadcast timer accurate regardless of CC offset calibration or entry to sleep	Broadcast timer accuracy required a CC offset calibration and entry to sleep.	Improved broadcast timing accuracy to meet Smart Battery Data spec

bq20z80 to bq20z80-V101 Changes

CHANGE	bq20z80	bq20z80-V101	COMMENTS
Added authentication (optional SBS command 0x2f)	Command 0x2f has no function and is not acknowledged.	Command 0x2f is the <i>SBS.Authenticate()</i> command to the bq20z80 to begin the SHA1 authentication.	Additional feature to enable host to authenticate the battery
Added Cell Balancing	Cell balancing not available	Added State of Charge cell balancing algorithm	Additional feature to enable longer lifetime of battery
Added charge fault FET Enable register	When charge faults occur, FET action is taken.	When charge faults occur, FET action is taken if enabled in <i>DF:FET Enable</i> register.	Adds flexibility to system interaction
Added pulse compensation for end of discharge	Applications with pulsed current loads and minimum voltage requirements can have less <i>RemainingCapacity</i> than reported.	The voltage pulses caused by pulsed current loads are measured and used to better estimate <i>RemainingCapacity</i> .	Added additional feature to improve capacity prediction
Added <i>SBS.BatteryStatus()</i> [TDA, FD] voltage thresholds	<i>SBS.BatteryStatus()</i> [TDA, FD] are only set on <i>SBS.RSOC</i> , detection of charge termination or faults	<i>SBS.BatteryStatus()</i> [TDA, FD] are now set and cleared based on <i>SBS.Voltage()</i>	Adds flexibility to system interaction
Added option for LEDs in series with current source	LED display is only in parallel.	LED display is available in series (with current source) or parallel.	Adds capability for higher brightness LEDs
Configured pin 7 as active high fuse blow	Pin 7 is not connected.	Pin 7 is now an active high reflection of <i>SAFE</i> (pin 12).	Adds flexibility to choose different circuits driven by the permanent failure signal
Added State of Health calculation (command 0x4f)	Command 0x4f has no function and is not acknowledged.	Command 0x4f is the <i>SBS.StateOfHealth()</i> command where SOH is the ratio of <i>SBS.DesignCapacity()</i> to <i>SBS.FullChargeCapacity()</i> .	Additional feature to allow host to easily determine health of the battery
Added Synchronization of <i>SBS.RemainingCapacity()</i> to <i>SBS.FullChargeCapacity()</i> at charge taper termination.	<i>SBS.RemainingCapacity()</i> is not affected and could be < 100% at charge termination.	If <i>DF:Operation Cfg</i> [RMFCC] is set then <i>SBS.RemainingCapacity()</i> is updated to the value of <i>SBS.FullChargeCapacity()</i> at charge termination.	Adds option to enable charge synchronization in order to display <i>RelativeStateOfCharge</i> as 100% at charge termination

CHANGE	bq20z80	bq20z80-V101	COMMENTS
Improved thermal model	A preliminary thermal mode was used.	An updated thermal model is used.	Improved thermal compensation of Impedance Track™ algorithm
Improved cell capacity measurement by limiting valid temperature ranges	Valid voltage measurements for cell capacity estimation can occur at any temperature.	Valid voltage measurements for cell capacity estimation must occur within a defined temperature range.	Improves capacity estimation
Improved cell capacity measurement	After a full reset, it may take several minutes for voltage reading to settle to the most accurate reading.	Settling time of voltage measurements after a full reset is reduced.	Improves initial voltage reading accuracy
Improved default resistance tables	A preliminary default resistance mode was used.	An updated default resistance mode is used.	Improved thermal accuracy of Impedance Track™ algorithm
Prevented lifetime updates until IT is enabled	Data flash lifetime data is updated under all conditions.	Data flash lifetime data is not updated until Impedance Track™ is enabled.	Improves suitability of lifetime data
Aligned SBS.RemainingCapacity() with DF:Terminate Voltage	SBS.RemainingCapacity() could be above zero when SBS.Voltage() reaches DF:Terminate Voltage.	Forces SBS.RemainingCapacity() to zero when SBS.Voltage() is below terminate voltage	Improves alignment between reporting and system status
Disabled LEDs for undervoltage conditions	When SBS.OperationStatus() [CUV or PUV] is set, then the LED display could be activated.	When SBS.OperationStatus() [CUV or PUV] is set, the LED display is disabled.	Reduces risk of deeply discharging the battery
Clear SBS.BatteryStatus() [RCA] when not SBS.BatteryStatus() [DSG]	SBS.BatteryStatus() [RCA] is not cleared when SBS.BatteryStatus() [DSG] is cleared.	SBS.BatteryStatus() [RCA] is now cleared when SBS.BatteryStatus() [DSG] is cleared.	Corrected to meet SBS specification
Allowed sleep mode for undervoltage conditions	When SBS.OperationStatus() [CUV or PUV] is set, then entry to sleep mode is disabled.	When SBS.OperationStatus() [CUV or PUV] is set, then entry to sleep mode is allowed.	Reduces risk of deeply discharging the battery
Improvements made to Lifetime data	Does not save maximum and minimum lifetime AverageCurrent or AveragePower. Only saves lifetime data when new values exceed old values by defined delta values	Saves maximum and minimum lifetime AverageCurrent and AveragePower. Lifetime data is saved after a defined period of time even if new values do not exceed old values by defined delta values	Improves lifetime data
Changes made to pulse charging	Voltages for pulse charging are sampled once a second.	Voltages for pulse charging are sampled 4 times a second.	Improves pulse charging
Changes made to charging timeouts	The precharge timeout timer runs when the charging current is below a defined threshold; so, it is possible that the precharge timer will run during charging taper current and cause an undesired precharge timeout during charging taper.	The fast charge and precharge timeout timers only run when precharging or charging, as indicated by FCHG and PCHG bits in ChargingStatus.	Improves operation of fast charge and precharge timeout timers
Changes made to discharge faults	Discharging fault is indicated whenever BatteryStatus [TDA] is set. Current discharging fault is not indicated for current faults detect by AFE. Separate discharging faults are indicated for voltage and temperature.	Discharging fault is indicated for any safety condition resulting in turning off the discharge FET. Current discharging fault is indicated for all detected overcurrent conditions, including overcurrent detected by AFE. Temperature and voltage discharge faults are not indicated separately.	Improves indication of discharging fault conditions
Improvements made to calibration functions	Voltage calibration functions may cause error in voltage calibration of several millivolts.	Voltage calibration functions are capable of accuracy within 1 millivolt.	Improved voltage calibration accuracy
Protect against simultaneous writes to data flash	A SMBus-initiated data flash write may occur at the same time as a data flash write initiated by the AGG, which may cause a data flash write error.	A SMBus-initiated data flash write cannot occur at the same time as any other data flash write.	Increased robustness of data flash writes
Corrected SBS.ManufacturerAccess() access of silicon revision	SBS.ManufacturerAccess() access of silicon revision is not functional.	SBS.ManufacturerAccess() access of silicon revision is functional.	Allows host to determine bq20z80 silicon revision
Corrected data flash checksum operation	The data flash checksum includes non-accessible portions of the data flash that change when writing the data flash checksum, invalidating the checksum.	The data flash checksum only includes data flash that does not change when writing an updated data flash checksum.	Data flash checksum operation works correctly.
Corrections made to LED display	Fixed LED thresholds cannot be selected.	Fixed LED thresholds can be selected.	Correct operation of LED threshold settings
Erroneous readings are corrected that occurred after offset calibration when sleep mode is not entered.	Erroneous SBS voltage, current, and temperature readings occur after current offset calibration if sleep mode is not entered, corrupting the lifetime data.	No erroneous SBS voltage, current, and temperature readings occur after current offset calibration if sleep mode is not entered.	Improve reliability of lifetime data

CHANGE	bq20z80	bq20z80-V101	COMMENTS
Corrected the length of <i>SBS.ManufacturerData()</i> command	<i>SBS.ManufacturerData()</i> returned additional data not specified in the data sheet.	Only returns the appropriate data	Correct data set made available to host
Changed <i>DF:Charger Present</i> default voltage to 12000 mV	<i>DF:Charger Present</i> default was 16800 mV.	Default changed to 12000 mV.	More realistic default for most applications
Corrected LED display lock-up fault when exiting sleep with LEDs on	LED display locks up if LEDs are ON as the bq20z80 exits sleep mode.	LED display operates normally regardless of power state transitions.	Correct operation of the LED display under all conditions
Added report of any inability to write DFF as flash write error in calibration mode	If writing the data flash is not allowed either due to a permanent failure or low voltage, then no indication is given when attempting to write data flash in calibration mode.	The inability to write data flash in calibration mode is reported as a flash write error.	Improved calibration system interaction
Corrected issue of improperly clearing AFE faults	AFE faults were detected and the pack protected but the fault would be cleared up to three times at an interval of 250 milliseconds before the defined recovery requirements would apply.	AFE faults are correctly handled, including the flags.	Improved system interaction when faults occur
Modified code to save open-circuit voltage (OCV) data on IT enable only, not a full reset	OCV data was saved after a full reset which could have disturbed the OCV measurements if the battery was not in a completely relaxed state.	OCV tables are only updated when IT enabled, or the IT enable command is resent.	Improved OCV data reliability under all system conditions
Corrected range check for calibration of analog-to-digital converter (ADC) offset	In calibration mode, if the measurement ADC offset was out of range, no error would be reported.	In calibration mode, if the measurement ADC offset is out of range, an error is reported.	Improved calibration system interaction
Implemented a validation time for DOD0	There is a possibility of erroneous DOD0 measurement if charge or discharge current occurs at the same time.	DOD0 measurement is not saved unless the battery remains in the relaxed state for a defined time after the DOD0 measurement is made.	More reliable <i>SBS.FullChargeCapacity()</i> and <i>SBS.RemainingCapacity</i> under all system conditions
Implemented a bounds limit to a QMAX change	QMAX changes are not limited to filter-bad readings.	QMAX changes are bounds limited to filter-bad readings.	More reliable <i>SBS.FullChargeCapacity()</i> and <i>SBS.RemainingCapacity</i> under all system conditions
Implemented a double hit for dv/dt detection for QMAX qualification	The dv/dt qualification for QMAX update requires only one sample to be valid.	The dv/dt qualification for QMAX update requires two samples to be valid.	More reliable <i>SBS.FullChargeCapacity()</i> and <i>SBS.RemainingCapacity()</i> under all system conditions
Corrected parameter update issue caused by exiting sleep mode during current measurement	If bq20z80 exits sleep during a current measurement, the SBS parameters do not update again until the pack enters and exits sleep mode again.	SBS parameter updates operate normally regardless of power state transitions.	Improved system interaction for sleep mode transitions
Implemented an option to leave charge FET on for a nonremovable pack in sleep mode, enabled by <i>DF:Operation Cfg B [NRCHG]</i> .	When <i>DF:Operation Cfg B [NR]</i> is set, then the CHG is turned off at entry to sleep mode.	When <i>DF:Operation Cfg B [NR, NRCHG]</i> are set, then the CHG remains on at entry to sleep mode.	Improved system interaction options
Modified code such that if QMAX has not been updated, old valid OCV readings are discarded when a new valid OCV reading is detected and the conditions for QMAX update do not exist.	Valid OCV is only discarded when all conditions for QMAX update are satisfied, but the accumulated error in the measured capacity exceeds 1% (default value).	If QMAX has been updated, the same conditions for discarding an OCV reading are the same as for the bq20z80. Otherwise, old OCV readings are discarded and new OCV readings are used when the conditions for a valid OCV reading exist, but the conditions for QMAX update do not exist.	Enables QMAX measurement for full charge or discharge for the first QMAX update, even if initial OCV measurement is made when battery is only partially charged.
Modified code such that if QMAX has not been updated, then for QMAX update to occur, the measured capacity must be greater than or equal to 90% (default value) of design capacity.	The measured capacity must be greater than 20% (default value) or a value as determined from the QMAX update filter constant for a QMAX update to occur.	For the first QMAX, the measured capacity must be greater than 90% (default value) for a QMAX update to occur. If QMAX update has occurred the conditions for measured capacity are the same as for the bq20z80.	Improved QMAX data reliability for the first update of QMAX
Default minimum passed charge for QMAX update has been changed from 20% to 37%	Internal flash value of Min Passed Charge is 20%. The default setting for the QMAX update filter constant of 64 means actual Min Passed Charge for QMAX update is 25%.	Internal flash value of Min Passed Charge is 37%. This 37% is consistent with the QMAX update filter constant of 96.	Improved QMAX data reliability under all system conditions.
Default QMAX update filter constant has been changed from 64 to 94.	Internal flash value of QMAX update filter is 64.	Internal flash value of QMAX update filter is 94.	Improved QMAX data reliability under all system conditions.
QMAX values for nonexistent cells will be updated to Design Capacity.	<i>DF:Qmax Cell 2..4</i> written with random values if not used when QMAX is updated	<i>DF:Qmax Cell 2..4</i> are updated to = <i>DF:Design Capacity</i> if not used when QMAX is updated.	Ensure all QMAX values are reasonable, even if not used

PACKAGING INFORMATION

Orderable Device	Status ⁽¹⁾	Package Type	Package Drawing	Pins	Package Qty	Eco Plan ⁽²⁾	Lead/Ball Finish	MSL Peak Temp ⁽³⁾
BQ20Z80DBT-V102	ACTIVE	SM8	DBT	38	50	Green (RoHS & no Sb/Br)	CU NIPDAU	Level-2-260C-1 YEAR
BQ20Z80DBTR-V102	ACTIVE	SM8	DBT	38	2000	Green (RoHS & no Sb/Br)	CU NIPDAU	Level-2-260C-1 YEAR
BQ20Z80DBTR-V102G4	ACTIVE	SM8	DBT	38	2000	Green (RoHS & no Sb/Br)	CU NIPDAU	Level-2-260C-1 YEAR
BQ20ZDBT-V102G4	ACTIVE	SM8	DBT	38	50	Green (RoHS & no Sb/Br)	CU NIPDAU	Level-2-260C-1 YEAR
BQ20ZDBTR-V102G4	ACTIVE	SM8	DBT	38		TBD	Call TI	Call TI

⁽¹⁾ The marketing status values are defined as follows:

ACTIVE: Product device recommended for new designs.

LIFEBUY: TI has announced that the device will be discontinued, and a lifetime-buy period is in effect.

NRND: Not recommended for new designs. Device is in production to support existing customers, but TI does not recommend using this part in a new design.

PREVIEW: Device has been announced but is not in production. Samples may or may not be available.

OBSOLETE: TI has discontinued the production of the device.

⁽²⁾ Eco Plan - The planned eco-friendly classification: Pb-Free (RoHS), Pb-Free (RoHS Exempt), or Green (RoHS & no Sb/Br) - please check <http://www.ti.com/productcontent> for the latest availability information and additional product content details.

TBD: The Pb-Free/Green conversion plan has not been defined.

Pb-Free (RoHS): TI's terms "Lead-Free" or "Pb-Free" mean semiconductor products that are compatible with the current RoHS requirements for all 6 substances, including the requirement that lead not exceed 0.1% by weight in homogeneous materials. Where designed to be soldered at high temperatures, TI Pb-Free products are suitable for use in specified lead-free processes.

Pb-Free (RoHS Exempt): This component has a RoHS exemption for either 1) lead-based flip-chip solder bumps used between the die and package, or 2) lead-based die adhesive used between the die and leadframe. The component is otherwise considered Pb-Free (RoHS compatible) as defined above.

Green (RoHS & no Sb/Br): TI defines "Green" to mean Pb-Free (RoHS compatible), and free of Bromine (Br) and Antimony (Sb) based flame retardants (Br or Sb do not exceed 0.1% by weight in homogeneous material)

⁽³⁾ MSL, Peak Temp. -- The Moisture Sensitivity Level rating according to the JEDEC industry standard classifications, and peak solder temperature.

Important Information and Disclaimer: The information provided on this page represents TI's knowledge and belief as of the date that it is provided. TI bases its knowledge and belief on information provided by third parties, and makes no representation or warranty as to the accuracy of such information. Efforts are underway to better integrate information from third parties. TI has taken and continues to take reasonable steps to provide representative and accurate information but may not have conducted destructive testing or chemical analysis on incoming materials and chemicals. TI and TI suppliers consider certain information to be proprietary, and thus CAS numbers and other limited information may not be available for release.

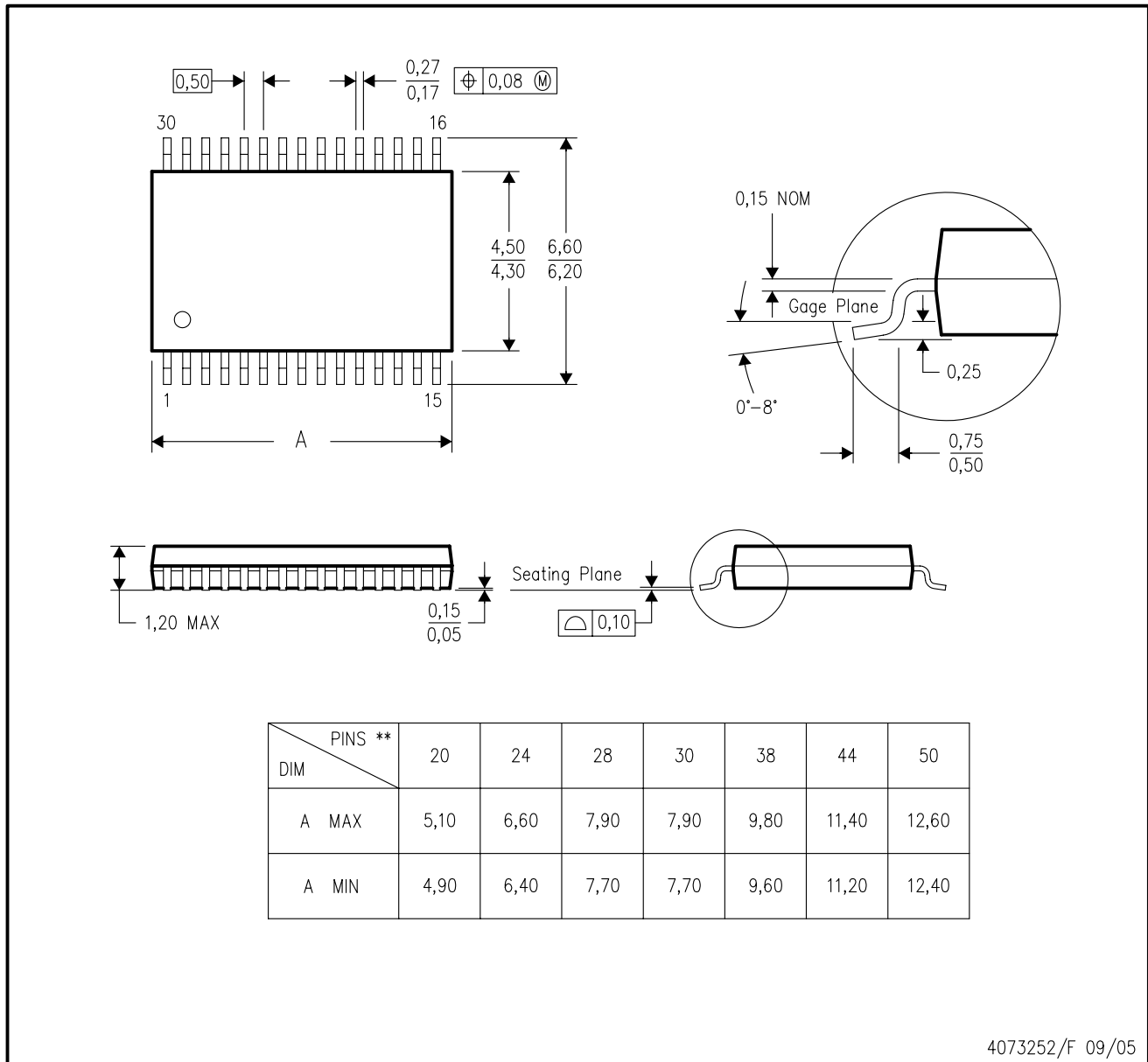
In no event shall TI's liability arising out of such information exceed the total purchase price of the TI part(s) at issue in this document sold by TI to Customer on an annual basis.

MECHANICAL DATA

DBT (R-PDSO-G**)

30 PINS SHOWN

PLASTIC SMALL-OUTLINE PACKAGE



4073252/F 09/05

- NOTES:
- All linear dimensions are in millimeters.
 - This drawing is subject to change without notice.
 - Body dimensions do not include mold flash or protrusion.
 - Falls within JEDEC MO-153 except 44 pin package length.

IMPORTANT NOTICE

Texas Instruments Incorporated and its subsidiaries (TI) reserve the right to make corrections, modifications, enhancements, improvements, and other changes to its products and services at any time and to discontinue any product or service without notice. Customers should obtain the latest relevant information before placing orders and should verify that such information is current and complete. All products are sold subject to TI's terms and conditions of sale supplied at the time of order acknowledgment.

TI warrants performance of its hardware products to the specifications applicable at the time of sale in accordance with TI's standard warranty. Testing and other quality control techniques are used to the extent TI deems necessary to support this warranty. Except where mandated by government requirements, testing of all parameters of each product is not necessarily performed.

TI assumes no liability for applications assistance or customer product design. Customers are responsible for their products and applications using TI components. To minimize the risks associated with customer products and applications, customers should provide adequate design and operating safeguards.

TI does not warrant or represent that any license, either express or implied, is granted under any TI patent right, copyright, mask work right, or other TI intellectual property right relating to any combination, machine, or process in which TI products or services are used. Information published by TI regarding third-party products or services does not constitute a license from TI to use such products or services or a warranty or endorsement thereof. Use of such information may require a license from a third party under the patents or other intellectual property of the third party, or a license from TI under the patents or other intellectual property of TI.

Reproduction of information in TI data books or data sheets is permissible only if reproduction is without alteration and is accompanied by all associated warranties, conditions, limitations, and notices. Reproduction of this information with alteration is an unfair and deceptive business practice. TI is not responsible or liable for such altered documentation.

Resale of TI products or services with statements different from or beyond the parameters stated by TI for that product or service voids all express and any implied warranties for the associated TI product or service and is an unfair and deceptive business practice. TI is not responsible or liable for any such statements.

Following are URLs where you can obtain information on other Texas Instruments products and application solutions:

Products

Amplifiers	amplifier.ti.com
Data Converters	dataconverter.ti.com
DSP	dsp.ti.com
Interface	interface.ti.com
Logic	logic.ti.com
Power Mgmt	power.ti.com
Microcontrollers	microcontroller.ti.com
Low Power Wireless	www.ti.com/lpw

Applications

Audio	www.ti.com/audio
Automotive	www.ti.com/automotive
Broadband	www.ti.com/broadband
Digital Control	www.ti.com/digitalcontrol
Military	www.ti.com/military
Optical Networking	www.ti.com/opticalnetwork
Security	www.ti.com/security
Telephony	www.ti.com/telephony
Video & Imaging	www.ti.com/video
Wireless	www.ti.com/wireless

Mailing Address: Texas Instruments
Post Office Box 655303 Dallas, Texas 75265