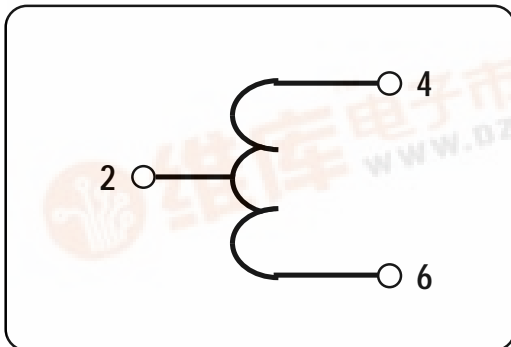


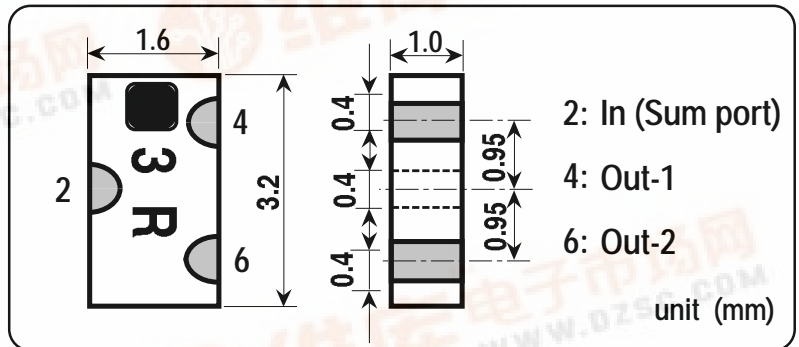
1.7 / 1.9 GHz Band Chip 0 deg. Splitter / Combiner

Model No. FSTH-03R-2

Equivalent Circuits



Shape & Size

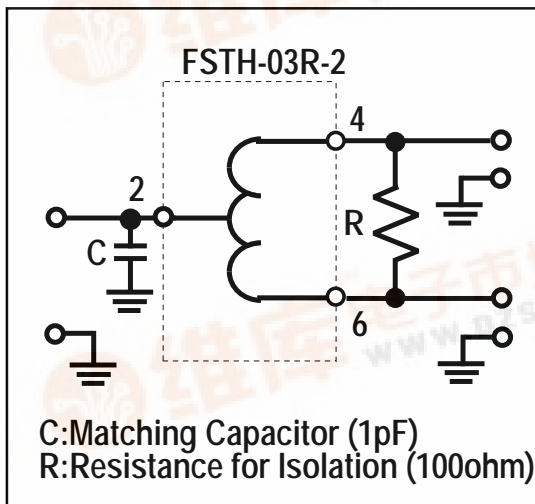


Specifications

Frequency Range(MHz)	Matching Capacitor	Insertion Loss	Isolation	Return Loss	Handling Power	Temperature Range
1500-1900	1pF	1dB Max. (0.2dB Typ.) *1	12dB Min. (20dB Typ.)	9.5dB Min. (17.7dB Typ.)	2W Max.	-35 ~ +85 deg.C

*1 Not include Splitting Loss (3dB)

Measurement Circuit



Typical Data

