

**Freescale Semiconductor**  
Technical Data

MMA6280Q  
Rev 1.0, 2/2006



# ±1.5 g - 6 g Dual Axis Low-g Micromachined Accelerometer

The MMA6280Q low cost capacitive micromachined accelerometer features signal conditioning, a 1-pole low pass filter, temperature compensation and g-Select which allows for the selection among 4 sensitivities. Zero-g offset full scale span and filter cut-off are factory set and require no external devices. Includes a Sleep Mode that makes it ideal for handheld battery powered electronics.

**Features**

- Selectable Sensitivity (1.5 g / 2 g / 4 g / 6 g)
- Low Current Consumption: 500  $\mu$ A
- Sleep Mode: 3  $\mu$ A
- Low Voltage Operation: 2.2 V – 3.6 V
- 6 mm x 6 mm x 1.45 mm QFN
- High Sensitivity (800 mV/g @1.5 g)
- Fast Turn On Time
- Integral Signal Conditioning with Low Pass Filter
- Robust Design, High Shocks Survivability
- Pb-Free Terminations
- Environmentally Preferred Package
- Low Cost

**Typical Applications**

- Portable Applications: Tilt Monitoring, Anti-Theft
- Pedometer: Motion Sensing
- PDA: Text Scroll
- Gaming: Tilt and Motion Sensing, Event Recorder
- Robotics: Motion Sensing
- Impact Monitoring (shipping/handling, black box event recorder)
- Vibration Monitoring and Recording (appliance balance, seismic, smart motors, etc.).

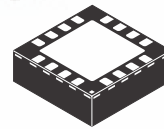
**ORDERING INFORMATION**

Device Name	Temperature Range	Package Drawing	Package
MMA6280Q	- 20 to +85°C	98ASA10651D	QFN-16, Tube
MMA6280QR2	- 20 to +85°C	98ASA10651D	QFN-16, Tape & Reel

**MMA6280Q**

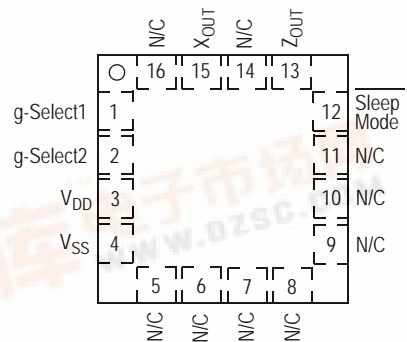
**MMA6280Q: XZ AXIS  
ACCELEROMETER**  
 $\pm$ 1.5 g / 2 g / 4 g / 6 g

**Bottom View**



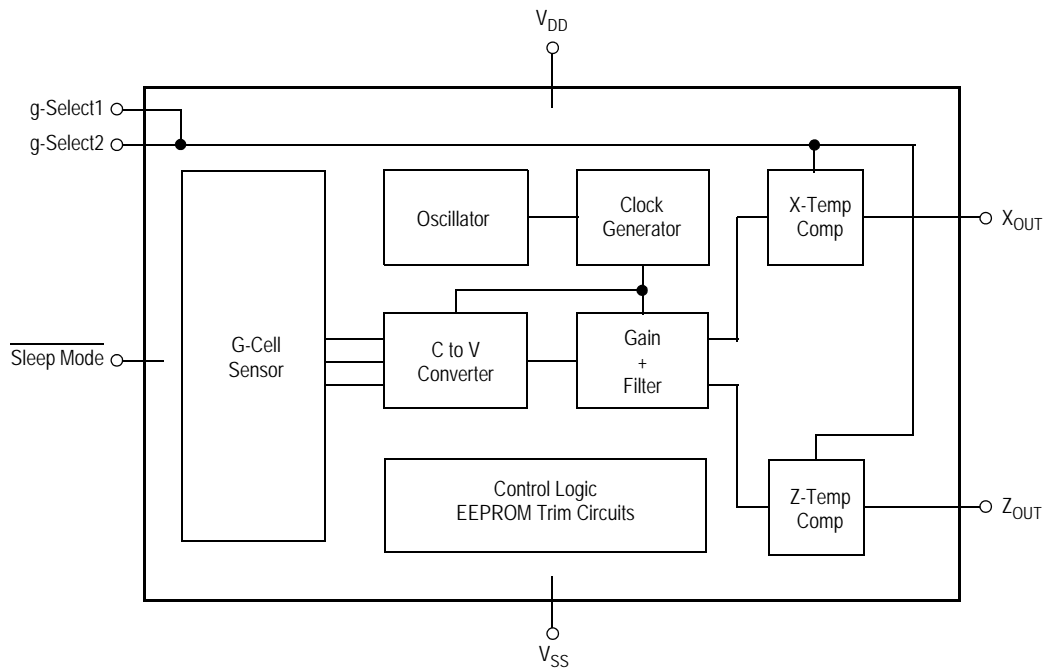
**16 LEAD  
QFN**  
98ASA10651D

**Top View**



**Figure 1. Pin Connections**





**Figure 2. Simplified Accelerometer Functional Block Diagram**

**Table 1. Maximum Ratings**

(Maximum ratings are the limits to which the device can be exposed without causing permanent damage.)

Rating	Symbol	Value	Unit
Maximum Acceleration (all axis)	$g_{max}$	$\pm 2000$	g
Supply Voltage	$V_{DD}$	-0.3 to +3.6	V
Drop Test <sup>(1)</sup>	$D_{drop}$	1.8	m
Storage Temperature Range	$T_{stg}$	-40 to +125	°C

1. Dropped onto concrete surface from any axis.

## ELECTRO STATIC DISCHARGE (ESD)

**WARNING:** This device is sensitive to electrostatic discharge.

Although the Freescale accelerometer contains internal 2000 V ESD protection circuitry, extra precaution must be taken by the user to protect the chip from ESD. A charge of over 2000 volts can accumulate on the human body or associated test equipment. A charge of this magnitude can

alter the performance or cause failure of the chip. When handling the accelerometer, proper ESD precautions should be followed to avoid exposing the device to discharges which may be detrimental to its performance.

**Table 2. Operating Characteristics**Unless otherwise noted:  $-20^{\circ}\text{C} \leq T_A \leq 85^{\circ}\text{C}$ ,  $2.2\text{ V} \leq V_{\text{DD}} \leq 3.6\text{ V}$ , Acceleration = 0 g, Loaded output<sup>(1)</sup>

Characteristic	Symbol	Min	Typ	Max	Unit
Operating Range <sup>(2)</sup>					
Supply Voltage <sup>(3)</sup>	$V_{\text{DD}}$	2.2	3.3	3.6	V
Supply Current	$I_{\text{DD}}$	—	500	800	$\mu\text{A}$
Supply Current at Sleep Mode <sup>(4)</sup>	$I_{\text{DD}}$	—	3	10	$\mu\text{A}$
Operating Temperature Range	$T_A$	-20	—	+85	$^{\circ}\text{C}$
Acceleration Range, X-Axis, Z-Axis					
g-Select1 & 2: 00	$g_{\text{FS}}$	—	$\pm 1.5$	—	g
g-Select1 & 2: 10	$g_{\text{FS}}$	—	$\pm 2.0$	—	g
g-Select1 & 2: 01	$g_{\text{FS}}$	—	$\pm 4.0$	—	g
g-Select1 & 2: 11	$g_{\text{FS}}$	—	$\pm 6.0$	—	g
Output Signal					
Zero g ( $T_A = 25^{\circ}\text{C}$ , $V_{\text{DD}} = 3.3\text{ V}$ ) <sup>(5)</sup>	$V_{\text{OFF}}$	1.485	1.65	1.815	V
Zero g	$V_{\text{OFF}}, T_A$	—	$\pm 2$	—	$\text{mg}/^{\circ}\text{C}$
Sensitivity ( $T_A = 25^{\circ}\text{C}$ , $V_{\text{DD}} = 3.3\text{ V}$ )					
1.5 g	$S_{1.5\text{g}}$	740	800	860	$\text{mV}/\text{g}$
2 g	$S_{2\text{g}}$	555	600	645	$\text{mV}/\text{g}$
4 g	$S_{4\text{g}}$	277.5	300	322.5	$\text{mV}/\text{g}$
6 g	$S_{6\text{g}}$	185	200	215	$\text{mV}/\text{g}$
Sensitivity	$S, T_A$	—	$\pm 0.03$	—	$\%/^{\circ}\text{C}$
Bandwidth Response					
X	$f_{-3\text{dB}}$	—	350	—	Hz
Z	$f_{-3\text{dB}}$	—	150	—	Hz
Noise					
RMS (0.1 Hz – 1 kHz) <sup>(4)</sup>	$n_{\text{RMS}}$	—	4.7	—	$\text{mVrms}$
Power Spectral Density RMS (0.1 Hz – 1 kHz) <sup>(4)</sup>	$n_{\text{PSD}}$	—	350	—	$\mu\text{g}/\sqrt{\text{Hz}}$
Control Timing					
Power-Up Response Time <sup>(6)</sup>	$t_{\text{RESPONSE}}$	—	1.0	2.0	ms
Enable Response Time <sup>(7)</sup>	$t_{\text{ENABLE}}$	—	0.5	2.0	ms
Sensing Element Resonant Frequency					
X	$f_{\text{GCELL}}$	—	6.0	—	kHz
Z	$f_{\text{GCELL}}$	—	3.4	—	kHz
Internal Sampling Frequency	$f_{\text{CLK}}$	—	11	—	kHz
Output Stage Performance					
Full-Scale Output Range ( $I_{\text{OUT}} = 30\ \mu\text{A}$ )	$V_{\text{FSO}}$	$V_{\text{SS}}+0.25$	—	$V_{\text{DD}}-0.25$	V
Nonlinearity, $X_{\text{OUT}}$ , $Z_{\text{OUT}}$	$\text{NL}_{\text{OUT}}$	-1.0	—	+1.0	%FSO
Cross-Axis Sensitivity <sup>(8)</sup>	$V_{\text{XY}}, \text{XZ}, \text{YZ}$	—	—	5.0	%

1. For a loaded output, the measurements are observed after an RC filter consisting of a 1.0 k $\Omega$  resistor and a 0.1  $\mu\text{F}$  capacitor on  $V_{\text{DD}}-\text{GND}$ .
2. These limits define the range of operation for which the part will meet specification.
3. Within the supply range of 2.2 and 3.6 V, the device operates as a fully calibrated linear accelerometer. Beyond these supply limits the device may operate as a linear device but is not guaranteed to be in calibration.
4. This value is measured with g-Select in 1.5 g mode.
5. The device can measure both + and – acceleration. With no input acceleration the output is at midsupply. For positive acceleration the output will increase above  $V_{\text{DD}}/2$ . For negative acceleration, the output will decrease below  $V_{\text{DD}}/2$ .
6. The response time between 10% of full scale  $V_{\text{DD}}$  input voltage and 90% of the final operating output voltage.
7. The response time between 10% of full scale Sleep Mode input voltage and 90% of the final operating output voltage.
8. A measure of the device's ability to reject an acceleration applied 90° from the true axis of sensitivity.

## PRINCIPLE OF OPERATION

The Freescale accelerometer is a surface-micromachined integrated-circuit accelerometer.

The device consists of two surface micromachined capacitive sensing cells (g-cell) and a signal conditioning ASIC contained in a single integrated circuit package. The sensing elements are sealed hermetically at the wafer level using a bulk micromachined cap wafer.

The g-cell is a mechanical structure formed from semiconductor materials (polysilicon) using semiconductor processes (masking and etching). It can be modeled as a set of beams attached to a movable central mass that move between fixed beams. The movable beams can be deflected from their rest position by subjecting the system to an acceleration (Figure 3).

As the beams attached to the central mass move, the distance from them to the fixed beams on one side will increase by the same amount that the distance to the fixed beams on the other side decreases. The change in distance is a measure of acceleration.

The g-cell beams form two back-to-back capacitors (Figure 3). As the center beam moves with acceleration, the distance between the beams changes and each capacitor's value will change, ( $C = A\epsilon/D$ ). Where A is the area of the beam,  $\epsilon$  is the dielectric constant, and D is the distance between the beams.

The ASIC uses switched capacitor techniques to measure the g-cell capacitors and extract the acceleration data from the difference between the two capacitors. The ASIC also signal conditions and filters (switched capacitor) the signal, providing a high level output voltage that is ratiometric and proportional to acceleration.

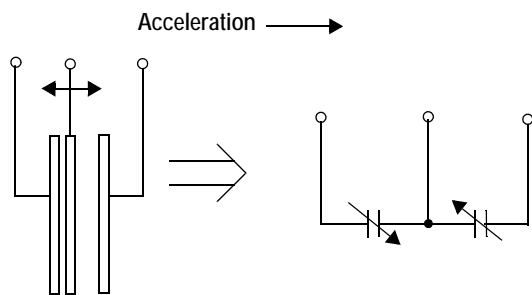


Figure 3. Simplified Transducer Physical Model

## SPECIAL FEATURES

### g-Select

The g-Select feature allows for the selection among 4 sensitivities present in the device. Depending on the logic input placed on pins 1 and 2, the device internal gain will be changed allowing it to function with a 1.5 g, 2 g, 4 g, or 6 g sensitivity (Table 3). This feature is ideal when a product has applications requiring different sensitivities for optimum performance. The sensitivity can be changed at anytime during the operation of the product. The g-Select1 and g-Select2 pins can be left unconnected for applications requiring only a 1.5 g sensitivity as the device has an internal pulldown to keep it at that sensitivity (800 mV/g).

Table 3. g-Select Pin Descriptions

g-Select2	g-Select1	g-Range	Sensitivity
0	0	1.5 g	800 mV/g
0	1	2 g	600 mV/g
1	0	4 g	300 mV/g
1	1	6 g	200 mV/g

### Sleep Mode

The dual axis accelerometer provides a Sleep Mode that is ideal for battery operated products. When Sleep Mode is active, the device outputs are turned off, providing significant reduction of operating current. A low input signal on pin 12 (Sleep Mode) will place the device in this mode and reduce the current to 3uA typ. For lower power consumption, it is recommended to set g-Select1 and g-Select2 to 1.5g mode. By placing a high input signal on pin 12, the device will resume to normal mode of operation.

### Filtering

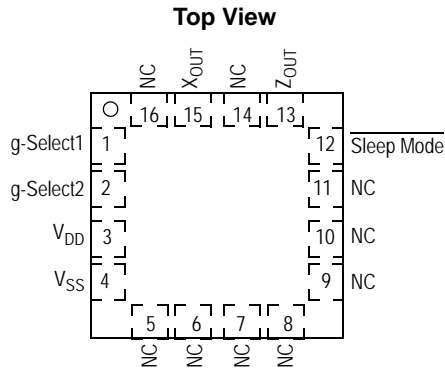
The dual axis accelerometer contains onboard single-pole switched capacitor filters. Because the filter is realized using switched capacitor techniques, there is no requirement for external passive components (resistors and capacitors) to set the cut-off frequency.

### Ratiometricity

Ratiometricity simply means the output offset voltage and sensitivity will scale linearly with applied supply voltage. That is, as supply voltage is increased, the sensitivity and offset increase linearly; as supply voltage decreases, offset and sensitivity decrease linearly. This is a key feature when interfacing to a microcontroller or an A/D converter because it provides system level cancellation of supply induced errors in the analog to digital conversion process.

## BASIC CONNECTIONS

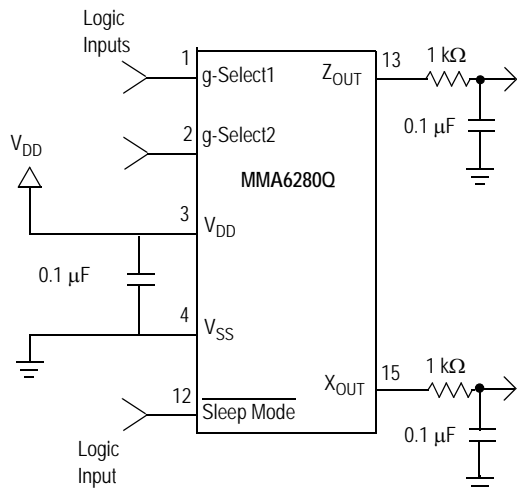
### Pin Descriptions



**Figure 4. Pinout Description**

**Table 4. Pin Descriptions**

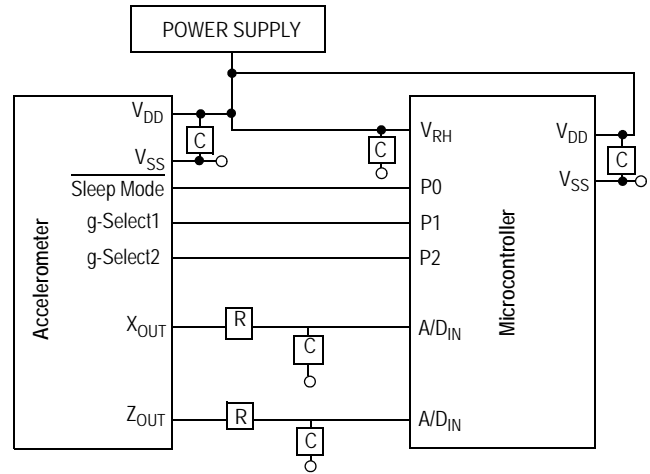
Pin No.	Pin Name	Description
1	g-Select1	Logic input pin to select g level.
2	g-Select2	Logic input pin to select g level.
3	V <sub>DD</sub>	Power Supply Input
4	V <sub>SS</sub>	Power Supply Ground
5 - 7	N/C	No internal connection. Leave unconnected.
8 - 11	N/C	Unused for factory trim. Leave unconnected.
12	Sleep Mode	Logic input pin to enable product or Sleep Mode.
13	Z <sub>OUT</sub>	Z direction output voltage.
14	N/C	No internal connection. Leave unconnected.
15	X <sub>OUT</sub>	X direction output voltage.
16	N/C	No internal connection. Leave unconnected.



**Figure 5. Accelerometer with Recommended**

### Connection Diagram

#### PCB Layout

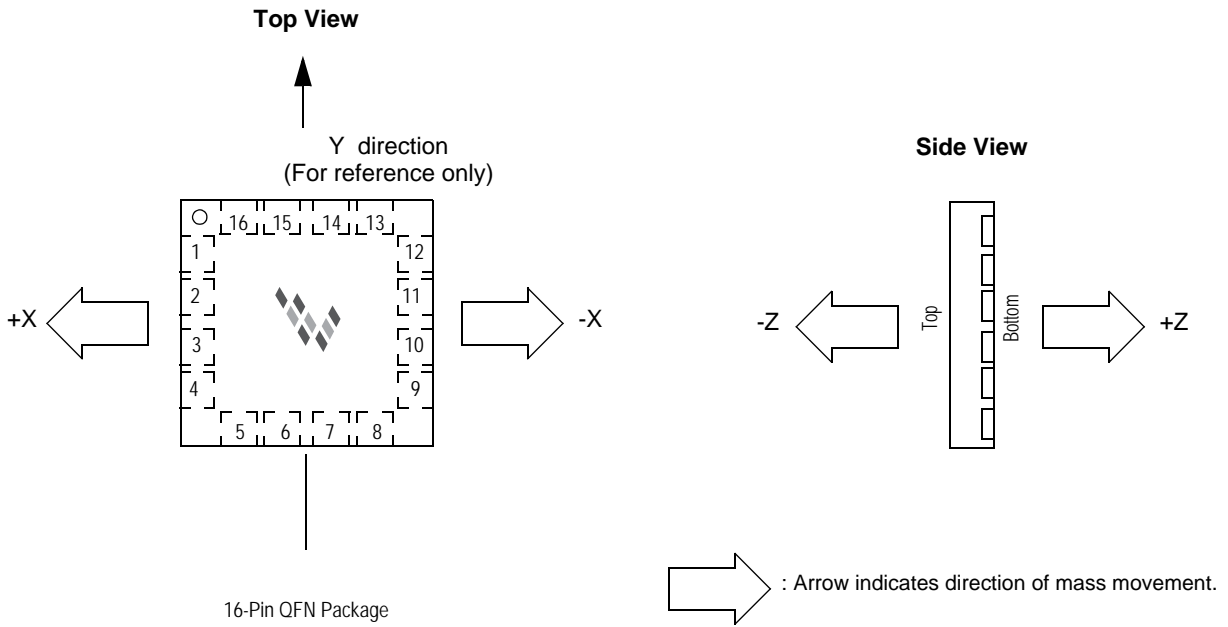


**Figure 6. Recommended PCB Layout for Interfacing Accelerometer to Microcontroller**

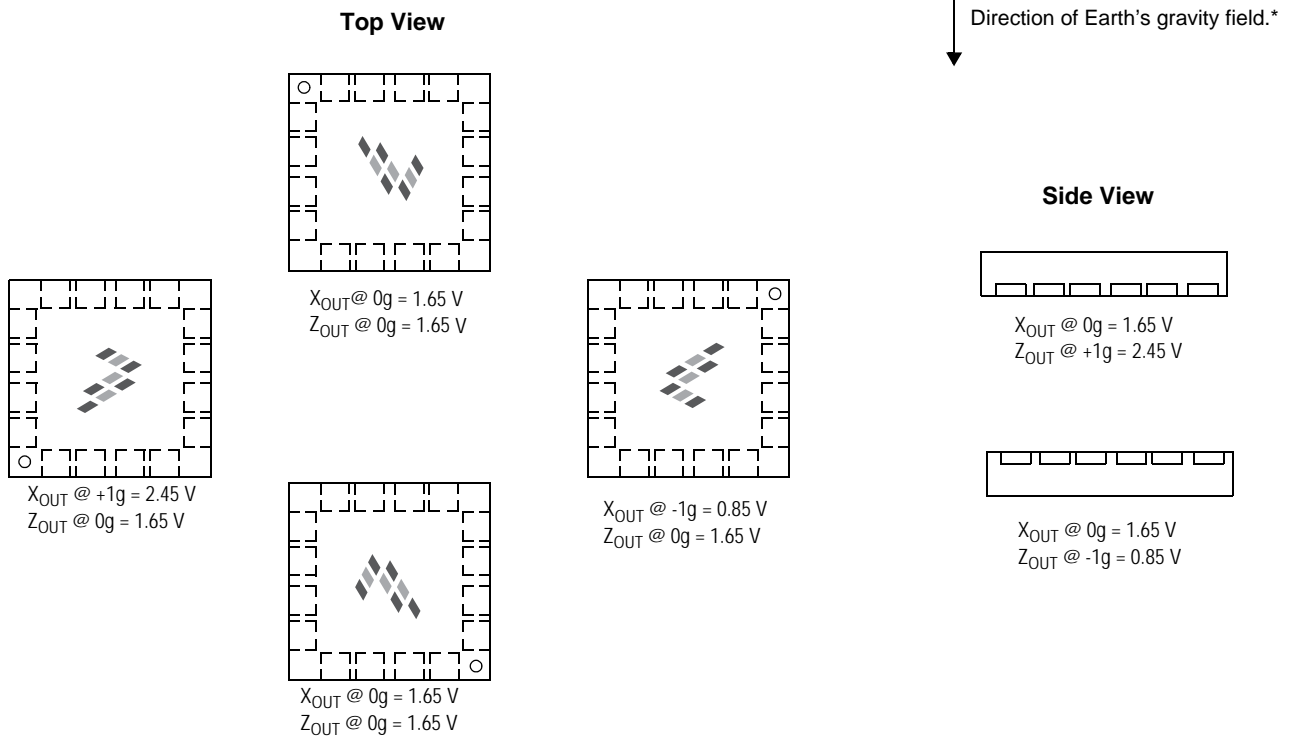
#### NOTES:

1. Use 0.1 μF capacitor on V<sub>DD</sub> to decouple the power source. Do not exceed capacitor values of 2.2 or 3.3 μF.
2. Physical coupling distance of the accelerometer to the microcontroller should be minimal.
3. Flag underneath package is connected to ground.
4. Place a ground plane beneath the accelerometer to reduce noise, the ground plane should be attached to all of the open ended terminals shown in [Figure 6](#).
5. Use an RC filter with 1.0 kΩ and 0.1 μF on the outputs of the accelerometer to minimize clock noise (from the switched capacitor filter circuit).
6. PCB layout of power and ground should not couple power supply noise.
7. Accelerometer and microcontroller should not be a high current path.
8. A/D sampling rate and any external power supply switching frequency should be selected such that they do not interfere with the internal accelerometer sampling frequency (11 kHz for the sampling frequency). This will prevent aliasing errors.

### DYNAMIC ACCELERATION



### STATIC ACCELERATION

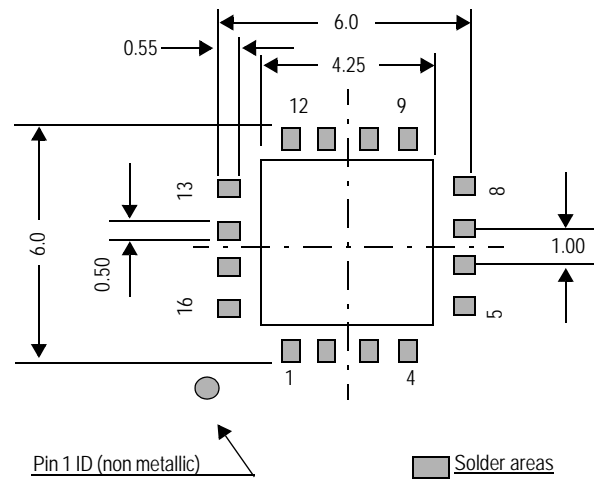


\* When positioned as shown, the Earth's gravity will result in a positive 1g output.

## MINIMUM RECOMMENDED FOOTPRINT FOR SURFACE MOUNTED APPLICATIONS

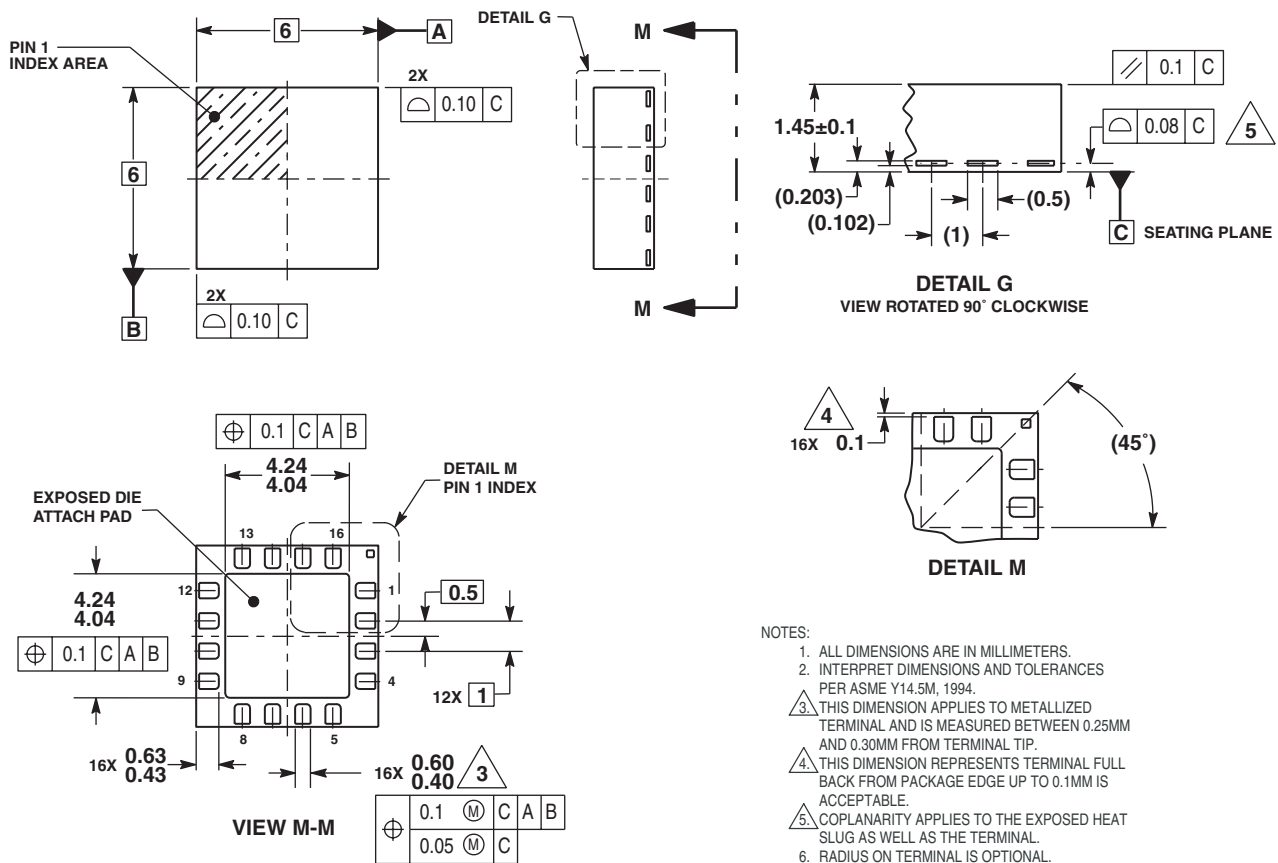
Surface mount board layout is a critical portion of the total design. The footprint for the surface mount packages must be the correct size to ensure proper solder connection interface between the board and the package.

With the correct footprint, the packages will self-align when subjected to a solder reflow process. It is always recommended to design boards with a solder mask layer to avoid bridging and shorting between solder pads.



## PACKAGE DIMENSIONS

For the most current package revision, visit [www.freescale.com](http://www.freescale.com) and perform a keyword search using the "98A" listed below.



**CASE 1622-01  
ISSUE O  
16-LEAD QFN**

## **How to Reach Us:**

**Home Page:**  
www.freescale.com

**E-mail:**  
support@freescale.com

**USA/Europe or Locations Not Listed:**  
Freescale Semiconductor  
Technical Information Center, CH370  
1300 N. Alma School Road  
Chandler, Arizona 85224  
+1-800-521-6274 or +1-480-768-2130  
support@freescale.com

**Europe, Middle East, and Africa:**  
Freescale Halbleiter Deutschland GmbH  
Technical Information Center  
Schatzbogen 7  
81829 Muenchen, Germany  
+44 1296 380 456 (English)  
+46 8 52200080 (English)  
+49 89 92103 559 (German)  
+33 1 69 35 48 48 (French)  
support@freescale.com

**Japan:**  
Freescale Semiconductor Japan Ltd.  
Headquarters  
ARCO Tower 15F  
1-8-1, Shimo-Meguro, Meguro-ku,  
Tokyo 153-0064  
Japan  
0120 191014 or +81 3 5437 9125  
support.japan@freescale.com

**Asia/Pacific:**  
Freescale Semiconductor Hong Kong Ltd.  
Technical Information Center  
2 Dai King Street  
Tai Po Industrial Estate  
Tai Po, N.T., Hong Kong  
+800 2666 8080  
support.asia@freescale.com

**For Literature Requests Only:**  
Freescale Semiconductor Literature Distribution Center  
P.O. Box 5405  
Denver, Colorado 80217  
1-800-441-2447 or 303-675-2140  
Fax: 303-675-2150  
LDCForFreescaleSemiconductor@hibbertgroup.com

RoHS-compliant and/or Pb-free versions of Freescale products have the functionality and electrical characteristics of their non-RoHS-compliant and/or non-Pb-free counterparts. For further information, see <http://www.freescale.com> or contact your Freescale sales representative.

For information on Freescale's Environmental Products program, go to <http://www.freescale.com/epp>.

Information in this document is provided solely to enable system and software implementers to use Freescale Semiconductor products. There are no express or implied copyright licenses granted hereunder to design or fabricate any integrated circuits or integrated circuits based on the information in this document.

Freescale Semiconductor reserves the right to make changes without further notice to any products herein. Freescale Semiconductor makes no warranty, representation or guarantee regarding the suitability of its products for any particular purpose, nor does Freescale Semiconductor assume any liability arising out of the application or use of any product or circuit, and specifically disclaims any and all liability, including without limitation consequential or incidental damages. "Typical" parameters that may be provided in Freescale Semiconductor data sheets and/or specifications can and do vary in different applications and actual performance may vary over time. All operating parameters, including "Typicals", must be validated for each customer application by customer's technical experts. Freescale Semiconductor does not convey any license under its patent rights nor the rights of others. Freescale Semiconductor products are not designed, intended, or authorized for use as components in systems intended for surgical implant into the body, or other applications intended to support or sustain life, or for any other application in which the failure of the Freescale Semiconductor product could create a situation where personal injury or death may occur. Should Buyer purchase or use Freescale Semiconductor products for any such unintended or unauthorized application, Buyer shall indemnify and hold Freescale Semiconductor and its officers, employees, subsidiaries, affiliates, and distributors harmless against all claims, costs, damages, and expenses, and reasonable attorney fees arising out of, directly or indirectly, any claim of personal injury or death associated with such unintended or unauthorized use, even if such claim alleges that Freescale Semiconductor was negligent regarding the design or manufacture of the part.

Freescale™ and the Freescale logo are trademarks of Freescale Semiconductor, Inc. All other product or service names are the property of their respective owners.

© Freescale Semiconductor, Inc., 2006. All rights reserved.

