



3A Low Dropout Regulator with Enable

Features

- Adjustable Outputs
- Over Current and Over Temperature Protection
- Output Current 3A
- Enable Pin
- 20µA Quiescent Current in Shutdown
- TO-263-5 Package

Applications

- Battery Powered Systems
- Motherboards
- Peripheral Cards
- Network Cards
- Set Top Boxes
- Notebook Computers

General Description

The G9967 is a high performance positive voltage regulator designed for use in applications requiring very low dropout voltage at up to 3 Amps. Since it has superior dropout characteristics compared with regular LDOs, it can be used to supply adjustable voltage on motherboards or on peripheral cards from the power supply thus allowing the elimination of costly heatsinks. An enable pin further reduces power dissipation while shut down. The G9967 provides excellent regulation over variations in line, load and temperature. It provides over current and over temperature protection functions.

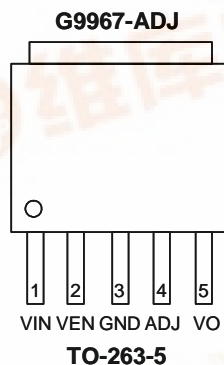
The G9967 is available with adjustable outputs in TO-263-5 package.

Ordering Information

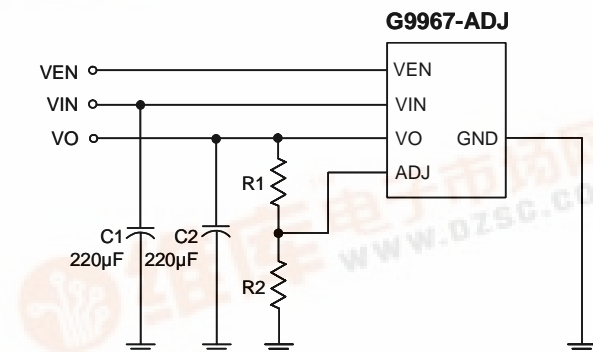
ORDER NUMBER	MARKING	TEMP. RANGE	PACKAGE (Pb free)
G9967-ADJTGU	G9967	-40°C ~ +85°C	TO-263-5

Note: TG: TO-263-5 U: Tape & Reel

Pin Configuration



Typical Application Circuit



$$VO = \frac{1.2 (R1+R2)}{R2} \text{ Volts}$$

R2=12KΩ is recommended