



**TRIPLE
PECL-TO-ECL TRANSLATOR**

SY100EL91

FEATURES

- 620ps typical propagation delay
- Fully differential design
- Supports standard operation
- Available in 20-pin SOIC package

DESCRIPTION

The SY100EL91 is a triple PECL-to-ECL translator. It receives standard voltage PECL signals and translates them to different ECL output signals.

A V_{BB} output is provided for interfacing with single ended PECL signals at the input. If a single ended input is to be used, the V_{BB} output should be connected to the \bar{D} input. The active signal would then drive the D input. When used, the V_{BB} output should be bypassed to ground via a $0.01\mu F$ capacitor. The V_{BB} output is designed to act as the switching reference for the EL91 under single ended input switching conditions. As a result this pin can only source/sink up to 0.5mA of current.

To accomplish the level translation the EL91 requires three power rails. The V_{CC} supply should be connected to the positive supply, and the V_{EE} pin should be connected to the negative power supply. The GND pins as expected are connected to the system ground plane. Both V_{EE} and V_{CC} should be bypassed to ground via $0.01\mu F$ capacitors.

Under open input conditions, the \bar{D} input will be biased at $V_{CC}/2$ and the D input will be pulled to GND. This condition will force the Q output to a LOW, ensuring stability.

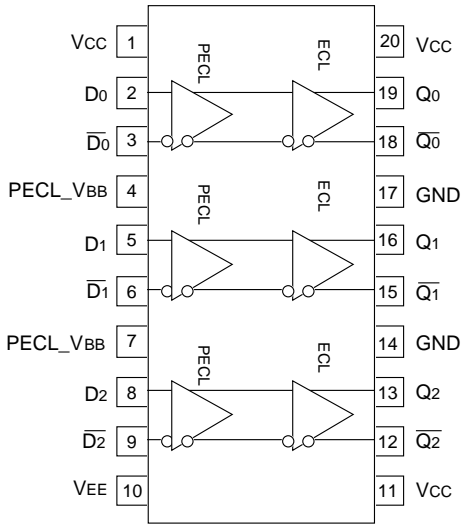
PIN NAMES

Pin	Function
D_n	PECL Inputs
Q_n	ECL Outputs
PECL_ V_{BB}	PECL Reference Voltage Output



PACKAGE/ORDERING INFORMATION

Ordering Information⁽¹⁾



20-Pin Wide SOIC (Z20-1)

Part Number	Package Type	Operating Range	Package Marking	Lead Finish
SY100EL91ZC	Z20-1	Commercial	SY100EL91ZC	Sn-Pb
SY100EL91ZCTR ⁽²⁾	Z20-1	Commercial	SY100EL91ZC	Sn-Pb
SY100EL91ZI	Z20-1	Industrial	SY100EL91ZI	Sn-Pb
SY100EL91ZITR ⁽²⁾	Z20-1	Industrial	SY100EL91ZI	Sn-Pb
SY100EL91ZG ⁽³⁾	Z20-1	Industrial	SY100EL91ZG with Pb-Free bar-line indicator	NiPdAu Pb-Free
SY100EL91ZGTR ^(2, 3)	Z20-1	Industrial	SY100EL91ZG with Pb-Free bar-line indicator	NiPdAu Pb-Free

Notes:

1. Contact factory for die availability. Dice are guaranteed at $T_A = 25^\circ\text{C}$, DC Electricals only.
2. Tape and Reel.
3. Pb-Free package is recommended for new designs.

PECL INPUT DC ELECTRICAL CHARACTERISTICS

Symbol	Parameter	TA = -40°C			TA = 0°C			TA = +25°C			TA = +85°C			Unit
		Min.	Typ.	Max.	Min.	Typ.	Max.	Min.	Typ.	Max.	Min.	Typ.	Max.	
VCC	Power Supply Voltage	4.75	—	5.25	4.75	—	5.25	4.75	—	5.25	4.75	—	5.25	V
VIH	Input HIGH Voltage ⁽¹⁾	3.835	—	4.120	3.835	—	4.120	3.835	—	4.120	3.835	—	4.120	V
VIL	Input LOW Voltage ⁽¹⁾	3.190	—	3.525	3.190	—	3.525	3.190	—	3.525	3.190	—	3.525	V
IiH	Input HIGH Current	—	—	150	—	—	150	—	—	150	—	—	150	μA
IiL	Input LOW Current $\frac{Dn}{Dn}$	0.5 -600	— —	— —	0.5 -600	— —	— —	0.5 -600	— —	— —	0.5 -600	— —	— —	μA
VBB	Output Reference ⁽¹⁾	3.620	—	3.740	3.620	—	3.740	3.620	—	3.740	3.620	—	3.740	V
ICC	Power Supply Current	—	—	11	—	—	11	—	6.0	11	—	—	11	mA

Note:

1. These values are for VCC = 5V. Level specifications will vary 1:1 with VCC.

ECL OUTPUT DC ELECTRICAL CHARACTERISTICS

Symbol	Parameter	TA = -40°C			TA = 0°C			TA = +25°C			TA = +85°C			Unit
		Min.	Typ.	Max.	Min.	Typ.	Max.	Min.	Typ.	Max.	Min.	Typ.	Max.	
VEE	Power Supply Voltage	-4.2	—	-5.5	-4.2	—	-5.5	-4.2	—	-5.5	-4.2	—	-5.5	V
VOH	Output HIGH Voltage	-1085	—	-880	-1025	—	-880	-1025	-955	-880	-1025	—	-880	mV
VOL	Output LOW Voltage	-1830	—	-1555	-1810	—	-1620	-1810	-1705	-1620	-1810	—	-1620	mV
IEE	Power Supply Current	—	—	28	—	—	28	—	22	28	—	—	30	mA

AC ELECTRICAL CHARACTERISTICS

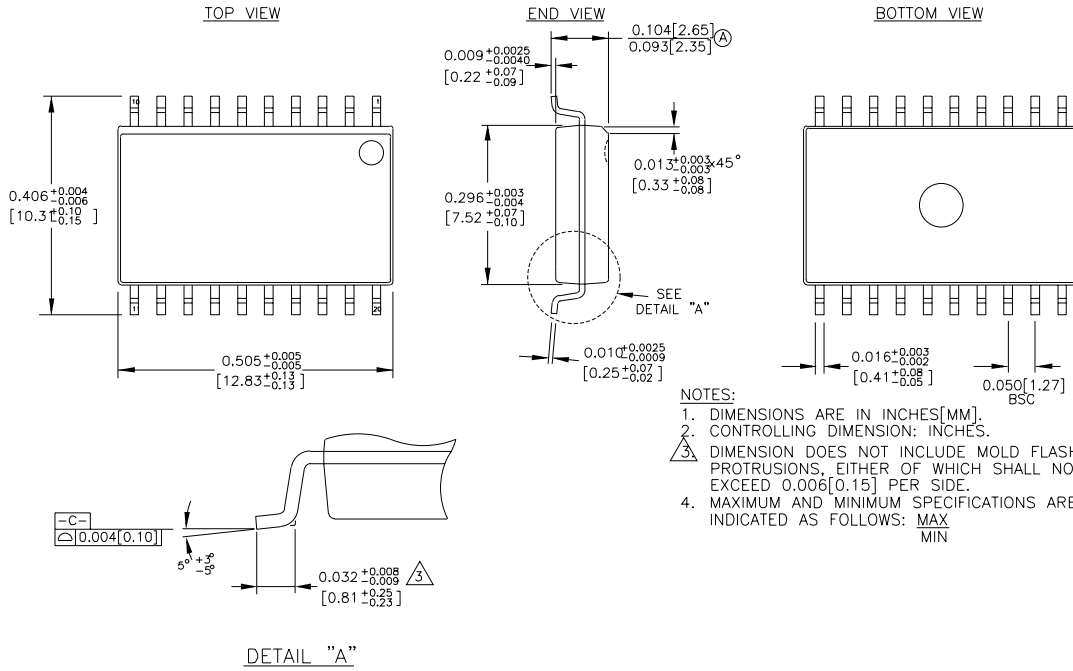
PECL: $V_{CC} = +4.75V$ to $+5.25V$, ECL: $V_{EE} = -4.2V$ to $-5.5V$

Symbol	Parameter	$T_A = -40^\circ C$			$T_A = 0^\circ C$			$T_A = +25^\circ C$			$T_A = +85^\circ C$			Unit
		Min.	Typ.	Max.	Min.	Typ.	Max.	Min.	Typ.	Max.	Min.	Typ.	Max.	
t_{PD}	Propagation Delay D to Q	520 470	620 620	720 770	520 470	620 620	720 770	520 470	620 620	720 770	550 500	650 650	750 800	ps
t_{skew}	Within-Device Skew ⁽¹⁾ Output-to-Output Part-to-Part (Diff.) Duty Cycle (Diff.)	— — —	— — 25	100 200 —	— — —	— — 25	100 200 —	— — —	20 — 25	100 200 —	— — —	— — 25	100 200 —	ps
V_{PP}	Minimum Input Swing ⁽²⁾	200	—	—	200	—	—	200	—	—	200	—	—	mV
V_{CMR}	Common Mode Range ⁽³⁾ $V_{PP} < 500mV$ $V_{PP} > 500mV$	1.3 1.5	— —	$V_{CC}-0.2$ $V_{CC}-0.2$	1.2 1.4	— —	$V_{CC}-0.2$ $V_{CC}-0.2$	1.2 1.4	— —	$V_{CC}-0.2$ $V_{CC}-0.2$	1.2 1.4	— —	$V_{CC}-0.2$ $V_{CC}-0.2$	V
t_r t_f	Output Rise/Fall Times Q (20% to 80%)	320	400	580	320	400	580	320	400	580	320	400	580	ps

Notes:

- Skew is measured between outputs under identical transitions.
- Minimum input swing for which AC parameters are guaranteed. The device has a DC gain of ~ 40 .
- The CMR range is referenced to the most positive side of the differential input signal. Normal operation is obtained if the HIGH level falls within the specified range and the peak-to-peak voltage lies between V_{PP} min. and 1V.

20-PIN SOIC .300" WIDE (Z20-1)



- NOTES:
1. DIMENSIONS ARE IN INCHES[MM].
 2. CONTROLLING DIMENSION: INCHES.
 3. DIMENSION DOES NOT INCLUDE MOLD FLASH OR PROTRUSIONS, EITHER OF WHICH SHALL NOT EXCEED 0.006[0.15] PER SIDE.
 4. MAXIMUM AND MINIMUM SPECIFICATIONS ARE INDICATED AS FOLLOWS: MAX MIN

Rev. 03

MICREL, INC. 2180 FORTUNE DRIVE SAN JOSE, CA 95131 USA

TEL + 1 (408) 944-0800 FAX + 1 (408) 474-1000 WEB <http://www.micrel.com>

The information furnished by Micrel in this datasheet is believed to be accurate and reliable. However, no responsibility is assumed by Micrel for its use. Micrel reserves the right to change circuitry and specifications at any time without notification to the customer.

Micrel Products are not designed or authorized for use as components in life support appliances, devices or systems where malfunction of a product can reasonably be expected to result in personal injury. Life support devices or systems are devices or systems that (a) are intended for surgical implant into the body or (b) support or sustain life, and whose failure to perform can be reasonably expected to result in a significant injury to the user. A Purchaser's use or sale of Micrel Products for use in life support appliances, devices or systems is at Purchaser's own risk and Purchaser agrees to fully indemnify Micrel for any damages resulting from such use or sale.