

UTC 79LXX LINEAR INTEGRATED CIRCUIT

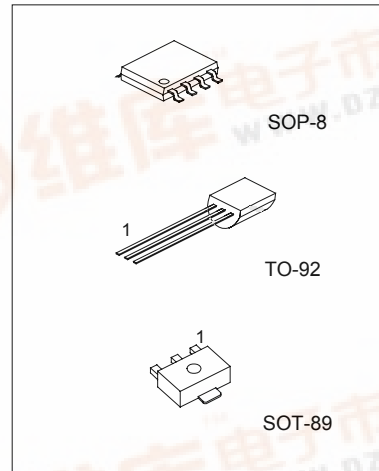
3-TERMINAL 0.1A NEGATIVE VOLTAGE REGULATOR

DESCRIPTION

The UTC 79LXX family is monolithic fixed voltage regulator integrated circuit. They are suitable for applications that required supply current up to 100mA.

FEATURES

- *Output current up to 100mA
- *Fixed output voltage of -5V, -6V, -8V, -9V, -12V, -15V, -18V and -24V available
- *Thermal overload shutdown protection
- *Short circuit current limiting



SOP-8 : 1. Vout ; 2,3,6,7 Vin ; 5. GND; 4,8 NC

TO-92 : 1: GND 2: Input 3: Output

SOT-89: 1: GND 2: Input 3: Output

*Pb-free plating product number: 79LXXL

ORDERING INFORMATION

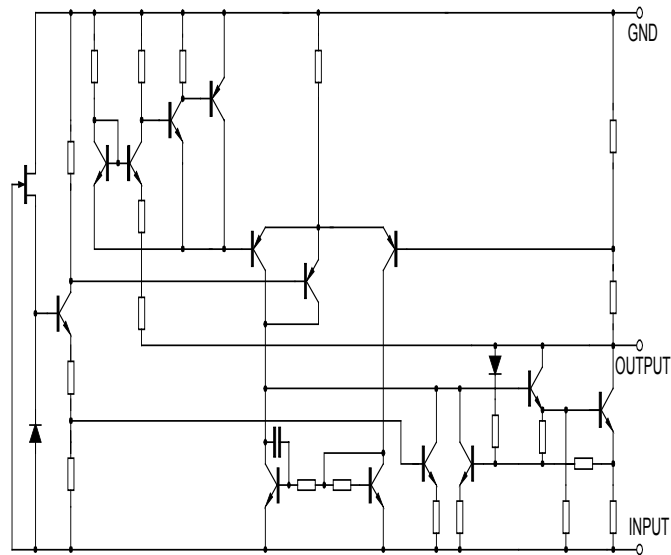
Order Number		Package	Packing
Normal	Lead free		
79Lxx-S08-R	79LxxL-S08-R	SOP-8	Tape Reel
79Lxx-S08-T	79LxxL-S08-T	SOP-8	Tube
79Lxx-AB3-R	79LxxL-AB3-R	SOT-89	Tape Reel
79Lxx-T92-B	79LxxL-T92-B	TO-92	Tape Box
79Lxx-T92-K	79LxxL-T92-K	TO-92	Bulk

Note:1. xx: Output Voltage, refer to Marking Information.



UTC 79LXX LINEAR INTEGRATED CIRCUIT

TEST CIRCUIT



ABSOLUTE MAXIMUM RATINGS (Operating temperature range applies unless otherwise specified)

PARAMETER	SYMBOL	VALUE	UNIT
Input voltage(for $V_o=-5\sim-9V$)	V_i	-30	V
(for $V_o=-12\sim-15V$)	V_i	-35	V
(for $V_o=-18\sim-24V$)	V_i		
Power Dissipation	P_D	350 (SOT-89) 300 (SOP-8) 625 (TO-92)	mW
Operating Junction Temperature Range	T_{OPR}	-30 ~ +125	°C
Storage Temperature Range	T_{STG}	-40 ~ +125	°C

UTC 79LXX LINEAR INTEGRATED CIRCUIT

UTC79L05 ELECTRICAL CHARACTERISTICS

(T_j=25°C, C₁=0.33μF, C_o=0.1μF, unless otherwise specified)

PARAMETER	SYMBOL	TEST CONDITIONS	MIN	TYP	MAX	UNIT
Output Voltage	V _o	V _{IN} =-10V, I _o =40mA	-4.8	-5.0	-5.2	V
Line Regulation	V _o -V _{IN}	V _{IN} =-7~-20V, I _o =40mA		15	150	mV
Load Regulation	V _o -I _o	V _{IN} =-10V, I _o =1~100mA		7	60	mV
Quiescent current	I _Q	V _{IN} =-10V, I _o =40mA		3.5	6.0	mA
Ripple Rejection	RR	V _{IN} =-8~-18V, I _o =40mA, E _{in} =1Vp-p, f=120Hz	41	71		dB
Output Noise Voltage	V _{NO}	V _{IN} =-10V, BW=10Hz~100kHz, I _o =40mA		120		μV

UTC79L06 ELECTRICAL CHARACTERISTICS

(T_j=25°C, C₁=0.33μF, C_o=0.1μF, unless otherwise specified)

PARAMETER	SYMBOL	TEST CONDITIONS	MIN	TYP	MAX	UNIT
Output Voltage	V _o	V _{IN} =-12V, I _o =40mA	-5.76	-6.0	-6.24	V
Line Regulation	V _o -V _{IN}	V _{IN} =-8.5~-20V, I _o =40mA		15	150	mV
Load Regulation	V _o -I _o	V _{IN} =-12V, I _o =1~100mA		7	60	mV
Quiescent current	I _Q	V _{IN} =-12V, I _o =40mA		3.5	6.0	mA
Ripple Rejection	RR	V _{IN} =-9~-19V, I _o =40mA, E _{in} =1Vp-p, f=120Hz	41	71		dB
Output Noise Voltage	V _{NO}	V _{IN} =-12V, BW=10Hz~100kHz, I _o =40mA		120		μV

UTC79L08 ELECTRICAL CHARACTERISTICS

(T_j=25°C, C₁=0.33μF, C_o=0.1μF, unless otherwise specified)

PARAMETER	SYMBOL	Test conditions	MIN	TYP	MAX	UNIT
Output Voltage	V _o	V _{IN} =-14V, I _o =40mA	-7.68	-8.0	-8.32	V
Line Regulation	V _o -V _{IN}	V _{IN} =-10.5~-23V, I _o =40mA		24	175	mV
Load Regulation	V _o -I _o	V _{IN} =-14V, I _o =1~100mA		10	80	mV
Quiescent current	I _Q	V _{IN} =-14V, I _o =40mA		3.5	6.0	mA
Ripple Rejection	RR	V _{IN} =-11~-21V, I _o =40mA, E _{in} =1Vp-p, f=140Hz	39	68		dB
Output Noise Voltage	V _{NO}	V _{IN} =-14V, BW=10Hz~100kHz, I _o =40mA		190		μV

UTC79L09 ELECTRICAL CHARACTERISTICS

(T_j=25°C, C₁=0.33μF, C_o=0.1μF, unless otherwise specified)

PARAMETER	SYMBOL	TEST CONDITIONS	MIN	TYP	MAX	UNIT
Output Voltage	V _o	V _{IN} =-15V, I _o =40mA	-8.64	-9.0	-9.36	V
Line Regulation	V _o -V _{IN}	V _{IN} =-12.5~-24V, I _o =40mA		27	200	mV
Load Regulation	V _o -I _o	V _{IN} =-15V, I _o =1~100mA		12	90	mV
Quiescent current	I _Q	V _{IN} =-15V, I _o =40mA		3.5	6.0	mA
Ripple Rejection	RR	V _{IN} =-12~-22V, I _o =40mA, E _{in} =1Vp-p, f=150Hz	37	64		dB
Output Noise Voltage	V _{NO}	V _{IN} =-15V, BW=10Hz~100kHz, I _o =40mA		210		μV

UTC79LXX LINEAR INTEGRATED CIRCUIT

UTC79L12 ELECTRICAL CHARACTERISTICS

(Tj=25°C, C1=0.33μF, Co=0.1μF, unless otherwise specified)

PARAMETER	SYMBOL	TEST CONDITIONS	MIN	TYP	MAX	UNIT
Output Voltage	Vo	VIN=-19V, Io=40mA	-11.52	-12.0	-12.48	V
Line Regulation	Vo-VIN	VIN=-14.5~-27V, Io=40mA		36	250	mV
Load Regulation	Vo-Io	VIN=-19V, Io=1~100mA		16	100	mV
Quiescent current	Iq	VIN=-19V, Io=40mA		3.5	6.0	mA
Ripple Rejection	RR	VIN=-15~-25V, Io=40mA, Ein=1Vp-p, f=190Hz	37	64		dB
Output Noise Voltage	VNO	VIN=-19V, BW=10Hz~100kHz, Io=40mA		210		μV

UTC79L15 ELECTRICAL CHARACTERISTICS

(Tj=25°C, C1=0.33μF, Co=0.1μF, unless otherwise specified)

PARAMETER	SYMBOL	TEST CONDITIONS	MIN	TYP	MAX	UNIT
Output Voltage	Vo	VIN=-23V, Io=40mA	-14.4	-15.0	-15.6	V
Line Regulation	Vo-VIN	VIN=-17.5~-30V, Io=40mA		45	300	mV
Load Regulation	Vo-Io	VIN=-23V, Io=1~100mA		20	150	mV
Quiescent current	Iq	VIN=-23V, Io=40mA		3.5	6.0	mA
Ripple Rejection	RR	VIN=-18.5~-28.5V, Io=40mA, Ein=1Vp-p, f=230Hz	34	63		dB
Output Noise Voltage	VNO	VIN=-23V, BW=10Hz~100kHz, Io=40mA		340		μV

UTC79L18 ELECTRICAL CHARACTERISTICS

(Tj=25°C, C1=0.33μF, Co=0.1μF, unless otherwise specified)

PARAMETER	SYMBOL	TEST CONDITIONS	MIN	TYP	MAX	UNIT
Output Voltage	Vo	VIN=-27V, Io=40mA	-17.28	-18.0	-18.72	V
Line Regulation	Vo-VIN	VIN=-20.5~-33V, Io=40mA		54	300	mV
Load Regulation	Vo-Io	VIN=-27V, Io=1~100mA		23	170	mV
Quiescent current	Iq	VIN=-27V, Io=40mA		3.5	6.0	mA
Ripple Rejection	RR	VIN=-23~-33V, Io=40mA, Ein=1Vp-p, f=270Hz	33	60		dB
Output Noise Voltage	VNO	VIN=-27V, BW=10Hz~100kHz, Io=40mA		410		μV

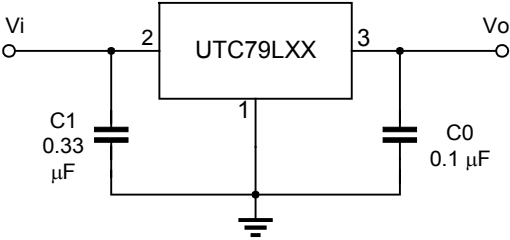
UTC79L24 ELECTRICAL CHARACTERISTICS

(Tj=25°C, C1=0.33μF, Co=0.1μF, unless otherwise specified)

PARAMETER	SYMBOL	TEST CONDITIONS	MIN	TYP	MAX	UNIT
Output Voltage	Vo	VIN=-33V, Io=40mA	-23.04	-24.0	-24.96	V
Line Regulation	Vo-VIN	VIN=-27~-38V, Io=40mA		72	350	mV
Load Regulation	Vo-Io	VIN=-33V, Io=1~100mA		30	200	mV
Quiescent current	Iq	VIN=-33V, Io=40mA		3.5	6.0	mA
Ripple Rejection	RR	VIN=-29~-35V, Io=40mA, Ein=1Vp-p, f=330Hz	31	55		dB
Output Noise Voltage	VNO	VIN=-33V, BW=10Hz~100kHz, Io=40mA		550		μV

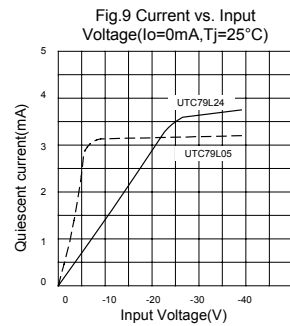
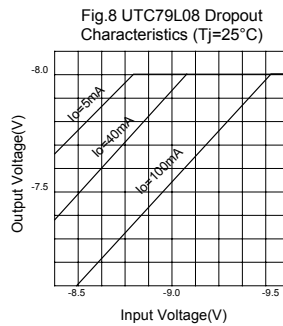
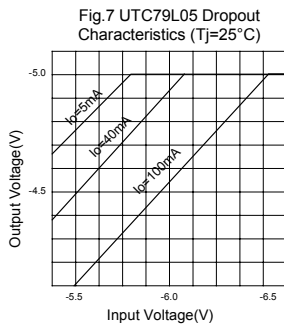
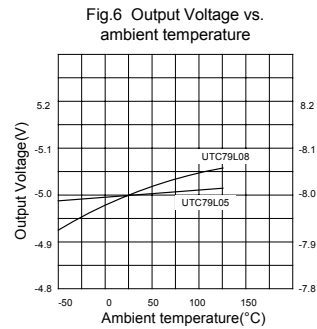
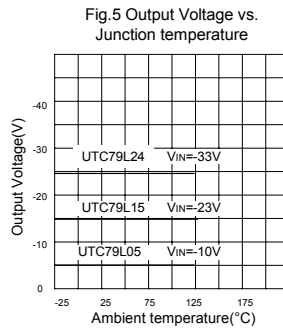
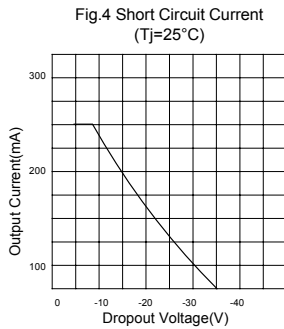
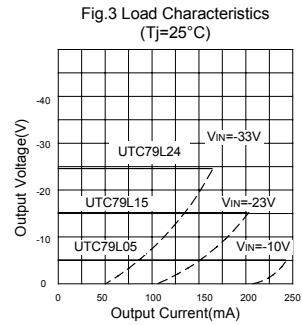
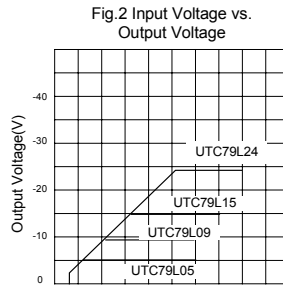
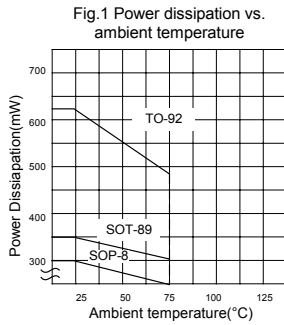
UTC79LXX LINEAR INTEGRATED CIRCUIT

APPLICATION CIRCUIT



UTC79LXX LINEAR INTEGRATED CIRCUIT

TYPICAL PERFORMANCE CHARACTERISTICS



UTC 79LXX LINEAR INTEGRATED CIRCUIT

UTC assumes no responsibility for equipment failures that result from using products at values that exceed, even momentarily, rated values (such as maximum ratings, operating condition ranges, or other parameters) listed in products specifications of any and all UTC products described or contained herein. UTC products are not designed for use in life support appliances, devices or systems where malfunction of these products can be reasonably expected to result in personal injury. Reproduction in whole or in part is prohibited without the prior written consent of the copyright owner. The information presented in this document does not form part of any quotation or contract, is believed to be accurate and reliable and may be changed without notice.