



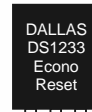
DS1233 5V EconoReset

www.dalsemi.com

FEATURES

- Automatically restarts microprocessor after power failure
- Monitors pushbutton for external override
- Internal circuitry debounces pushbutton switch
- Maintains reset for 350 ms after V_{CC} returns to an in-tolerance condition or pushbutton released
- Accurate 5%, 10% or 15% microprocessor 5V power supply monitoring
- Reduces need for discrete components
- Precision temperature-compensated voltage reference and voltage sensor
- Low-cost TO-92 package or surface-mount SOT-223 package
- Internal 5k Ω pull-up resistor
- Operating temperature of -40°C to +85°C

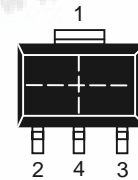
PIN ASSIGNMENT



1 2 3



TO-92 PACKAGE
See Mech.
Drawings Section



SOT-223 PACKAGE
See Mech.
Drawings Section

PIN DESCRIPTION

PIN 1	GROUND
PIN 2	RESET
PIN 3	V_{CC}
PIN 4	GROUND (SOT-223 ONLY)

DESCRIPTION

The DS1233 EconoReset monitors two vital conditions for a microprocessor: power supply and external override. A precision temperature compensated reference and comparator circuit are used to monitor the status of the power supply (V_{CC}). When an out-of-tolerance condition is detected, an internal power-fail signal is generated which forces reset to the active state. When V_{CC} returns to an in-tolerance condition, the reset signal is kept in the active state for approximately 350 ms to allow the power supply and processor to stabilize. The second function of the DS1233 is pushbutton reset control. The DS1233 debounces a pushbutton closure and will generate a 350 ms reset pulse upon release.

OPERATION - POWER MONITOR

The DS1233 provides the functions of detecting out-of-tolerance power supply conditions and warning a processor-based system of impending power failure. When V_{CC} is detected as out-of-tolerance, as defined by the tolerance of the part selected, the \overline{RST} signal is asserted. On power-up, \overline{RST} is kept active for approximately 350 ms after the power supply has reached the selected tolerance. This allows the power supply and microprocessor to stabilize before \overline{RST} is released.



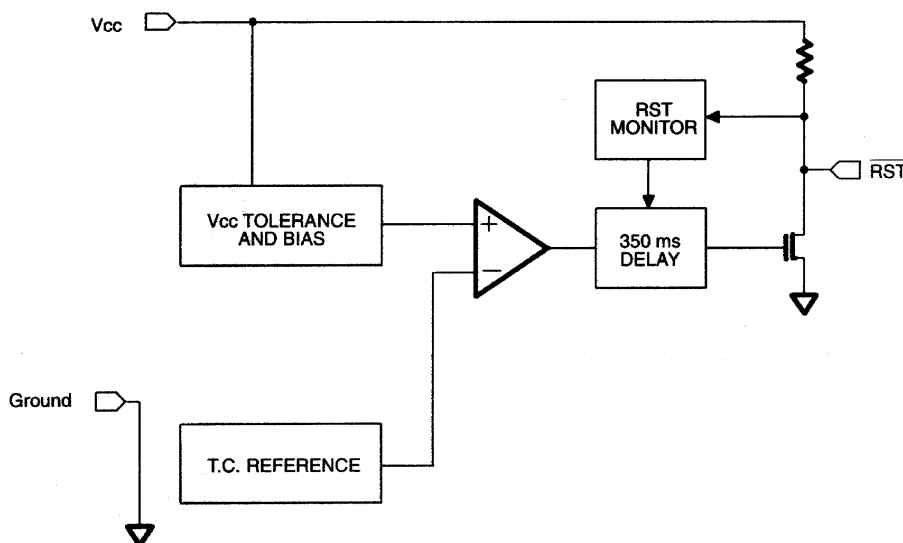
OPERATION - PUSHBUTTON RESET

The DS1233 provides for a pushbutton switch to be connected to the $\overline{\text{RST}}$ output pin. When the DS1233 is not in a reset cycle, it continuously monitors the $\overline{\text{RST}}$ signal for a low going edge. If an edge is detected, the DS1233 will debounce the switch by pulling the $\overline{\text{RST}}$ line low. After the internal timer has expired, the DS1233 will continue to monitor the $\overline{\text{RST}}$ line. If the line is still low, the DS1233 will continue to monitor the line looking for a rising edge. Upon detecting a release, the DS1233 will force the $\overline{\text{RST}}$ line low and hold it low for 350 ms.

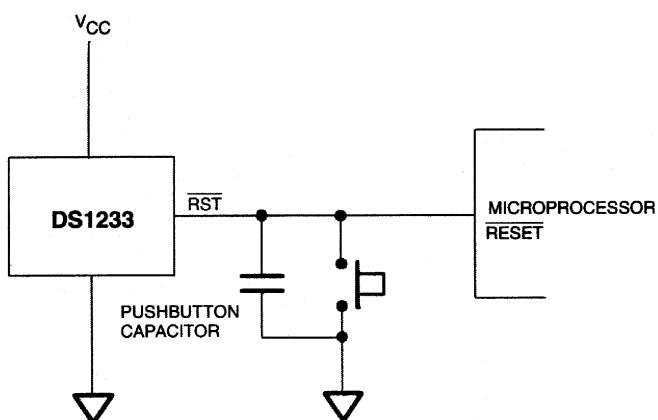
NOTE:

For proper operation with an external pushbutton, a capacitor between 100 pF and 0.01 μF must be connected between $\overline{\text{RST}}$ and ground. In applications where additional reset current is required, a minimum capacitance of 500 pF should be used, along with a parallel external pull-up resistor of 1 k Ω minimum.

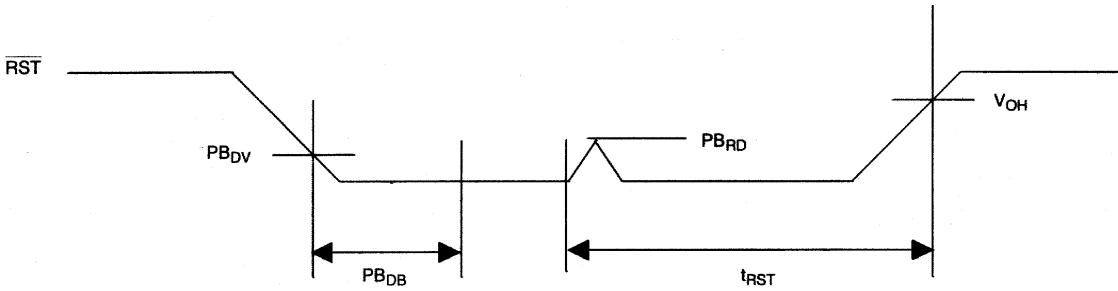
BLOCK DIAGRAM Figure 1



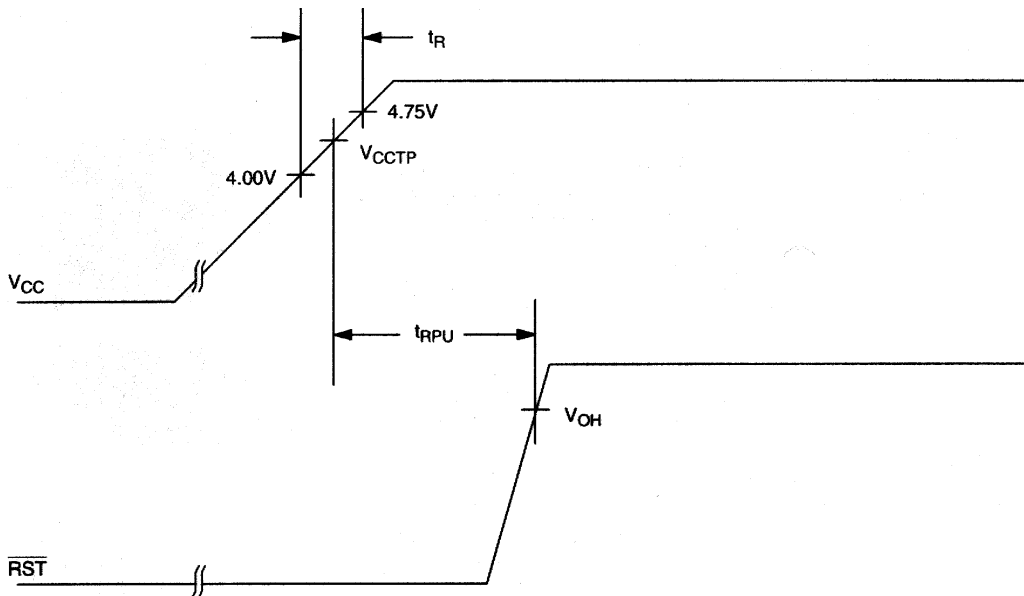
APPLICATION EXAMPLE Figure 2



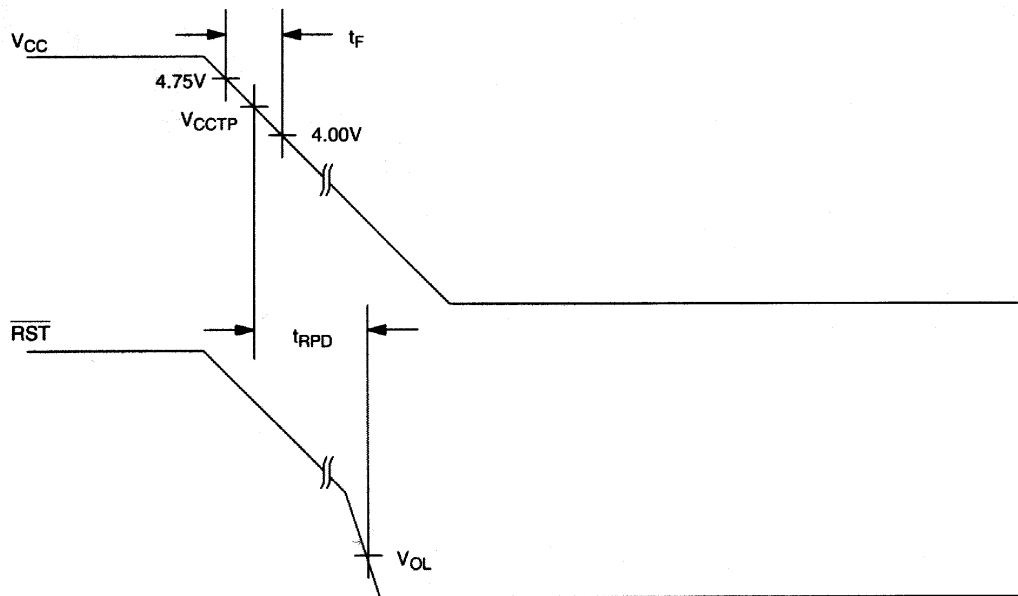
PUSHBUTTON RESET Figure 3



POWER UP Figure 4



POWER DOWN Figure 5



ABSOLUTE MAXIMUM RATINGS*

Voltage on V_{CC} Pin Relative to Ground	-0.5V to +7.0V
Voltage on I/O Relative to Ground	-0.5V to $V_{CC} + 0.5V$
Operating Temperature	-40°C to +85°C
Storage Temperature	-55°C to +125°C
Soldering Temperature	260°C for 10 seconds

* This is a stress rating only and functional operation of the device at these or any other conditions above those indicated in the operation sections of this specification is not implied. Exposure to absolute maximum rating conditions for extended periods of time may affect reliability.

RECOMMENDED DC OPERATING CONDITIONS (-40°C to +85°C)

PARAMETER	SYMBOL	MIN	TYP	MAX	UNITS	NOTES
Supply Voltage	V_{CC}	1.2	5.0	5.5	V	1

DC ELECTRICAL CHARACTERISTICS (-40°C to +85°C; $V_{DD}=5V \pm 10\%$)

PARAMETER	SYMBOL	MIN	TYP	MAX	UNITS	NOTES
Low Level @ \overline{RST}	V_{OL}			0.4	V	1
Output Current @ 0.4V	I_{OL}	+8			mA	
Operating Current	I_{CC}			50	μA	
V_{CC} Trip Point 5%	V_{CCTP0}	4.50	4.625	4.75	V	1
V_{CC} Trip Point 10%	V_{CCTP1}	4.25	4.375	4.49	V	1
V_{CC} Trip Point 15%	V_{CCTP2}	4.0	4.125	4.24	V	1
Output Capacitance	C_{OUT}			10	pF	
Pushbutton Detect	PB_{DV}	1.8		3.3	V	1
Pushbutton Release	PB_{RD}		0.3	0.8	V	1, 2
Internal Pull-Up Resistor	R_P	3.75	5	6.25	$k\Omega$	

AC ELECTRICAL CHARACTERISTICS (-40°C to +85°C; $V_{CC}=5V \pm 10\%$)

PARAMETER	SYMBOL	MIN	TYP	MAX	UNITS	NOTES
RESET Active Time	t_{RST}	250	350	450	ms	
V_{CC} Detect to \overline{RST}	t_{RPD}			100	ns	
V_{CC} Slew Rate (4.75V - 4.00V)	t_F	300			μs	
V_{CC} Slew Rate (4.00V - 4.75V)	t_R	0			ns	
Pushbutton Debounce	PB_{DB}	250	350	450	ms	
V_{CC} Detect to RST	t_{RPU}	250	350	450	ms	

NOTES:

- All voltages are referenced to ground.
- With a 100 pF to 0.01 μF capacitor connected from \overline{RST} to ground.

ECONORESET SELECTION GUIDE

		VCC TRIP POINT			PUSHBUTTON DETECT		
		MIN	TYP	MAX	MIN	TYP	MAX
5V	DS1233-15	4.0	4.125	4.24	2.4	-	3.3
	DS1233-10	4.25	4.375	4.49	2.4	-	3.3
	DS1233-5	4.5	4.625	4.75	2.4	-	3.3
	DS1233D-15	4.0	4.125	4.24	N/A		N/A
	DS1233D-10	4.25	4.375	4.49	N/A		N/A
	DS1233D-5	4.5	4.625	4.75	N/A		N/A
	DS1833-15	4.0	4.125	4.24	N/A		N/A
	DS1833-10	4.25	4.375	4.49	N/A		N/A
	DS1833-5	4.5	4.625	4.75	N/A		N/A
3.3V	DS1233A-15	2.64	2.72	2.80	1.8	-	3.0
	DS1233A-10	2.8	2.88	2.97	1.8	-	3.0