

High Input Voltage Adjustable 3-Terminal Linear Regulator

Features

- ▶ 13.2V to 450V input voltage range
- ▶ Adjustable 1.20V to 440V output regulation
- ▶ 5% output voltage tolerance
- ▶ Output current limiting
- ▶ 10 μ A typical ADJ current
- ▶ Internal junction temperature limiting

Applications

- ▶ Off-line SMPS startup circuits
- ▶ Adjustable high voltage constant current source
- ▶ Industrial controls
- ▶ Motor controls
- ▶ Battery chargers
- ▶ Power supplies

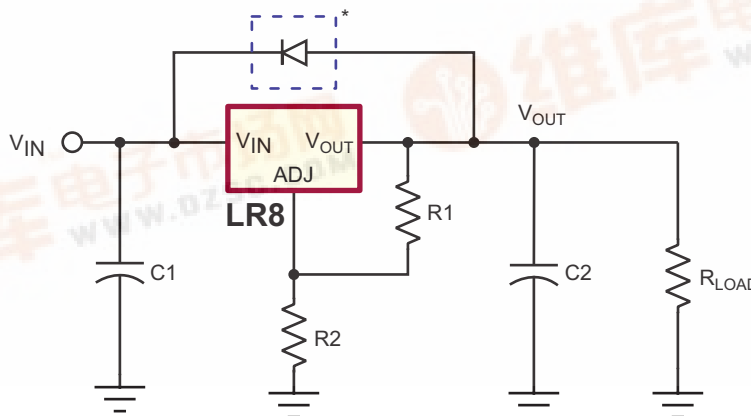
General Description

The Supertex LR8 is a high voltage, low output current, adjustable linear regulator. It has a wide operating input voltage range of 13.2V to 450V. The output voltage can be adjusted from 1.20V to 440V provided that the input voltage is at least 12V greater than the output voltage. The output voltage can be adjusted by means of two external resistors R1 and R2 as shown in the typical application circuits. The LR8 regulates the voltage difference between V_{OUT} and ADJ pins to a nominal value of 1.20V. The 1.20V is amplified by the external resistor ratio R1 and R2. An internal constant bias current of typically 10 μ A is connected to the ADJ pin. This increases V_{OUT} by a constant voltage of 10 μ A times R2.

The LR8 has current limiting and temperature limiting. The output current limit is typically 20mA and the minimum temperature limit is 125°C. An output short circuit current will therefore be limited to 20mA. When the junction temperature reaches its temperature limit, the output current and/or output voltage will decrease to keep the junction temperature from exceeding its temperature limit. For SMPS start-up circuit applications, the LR8 turns off when an external voltage greater than the output voltage of the LR8 is applied to V_{OUT} of the LR8. To maintain stability, a bypass capacitor of 1.0 μ F or larger and a minimum DC output current of 500 μ A are required.

The device is available in TO-243AA (SOT-89), TO-252 (D-PAK), and TO-92 packages.

Typical Application Circuit



*Required for conditions where V_{IN} is less than V_{OUT}.

Ordering Information

DEVICE	Package Option		
	TO-243AA	TO-252	TO-92
LR8	LR8N8-G	LR8K4-G	LR8N3-G

-G indicates package is RoHS compliant ("Green")

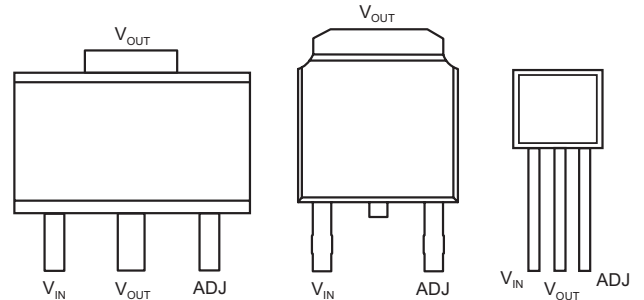


Absolute Maximum Ratings

Parameter	Value
V_{IN} input voltage (voltages ref to ADJ)	-0.5V to +480V
Output voltage range	-0.5V to +470V
Operating ambient temperature range	-40°C to +85°C
Operating junction temperature range	-40°C to +125°C
Storage temperature range	-65°C to +150°C

Stresses beyond those listed under "Absolute Maximum Ratings" may cause permanent damage to the device. These are stress ratings only, and functional operation of the device at these or any other conditions beyond those indicated in the operational sections of the specifications is not implied. Exposure to absolute maximum rating conditions for extended periods may affect device reliability.

Pin Configurations



TO-243AA (SOT-89) (top view) TO-252 (D-PAK) (top view) TO-92 (front view)

Product Marking

Product marking for TO-243AA:
LR8*
 where * = 2-week alpha date code

Electrical Characteristics (Test conditions unless otherwise specified: -40°C < T_A < 85°C.)

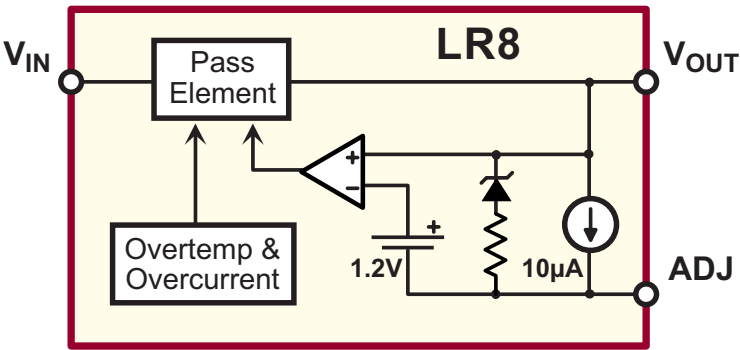
Symbol	Parameter	Min	Typ	Max	Units	Conditions
$V_{IN} - V_{OUT}$	Input to output voltage difference	12	-	450	V	---
V_{OUT}	Overall output voltage regulation	1.14	1.20	1.26	V	$13.2V < V_{IN} < 400V$, $R1 = 2.4K\Omega$, $R2 = 0$
V_{OUT}	Overall output voltage regulation	375	400	425	V	$R1 = 2.4K\Omega$, $R2 = 782K\Omega$
ΔV_{OUT}	Line regulation	-	0.003	0.01	%/V	$17V < V_{IN} < 400V$, $V_{OUT} = 5V$, $I_{OUT} = 0.5mA$
ΔV_{OUT}	Load regulation	-	1.4	3.0	%	$V_{IN} = 17V$, $V_{OUT} = 5V$, $0.5mA < I_{OUT} < 10mA$
ΔV_{OUT}	Temperature regulation	-1	-	+1	%	$V_{IN} = 17V$, $V_{OUT} = 5V$, $I_{OUT} = 10mA$, $-40^\circ C < T_A < 85^\circ C$
I_{OUT}	Output current limit	10	-	30	mA	$T_J < 85^\circ C$, $V_{IN} - V_{OUT} = 12V$
I_{OUT}	Output current limit	-	-	0.5	mA	$T_J > 125^\circ C$, $V_{IN} - V_{OUT} = 450V$
I_{OUT}	Minimum output current	-	0.3	0.5	mA	Includes R1 and load current
I_{ADJ}	Adjust output current	5	10	15	μA	---
C2	Minimum output load capacitance	1	-	-	μF	---
DV_{OUT}/DV_{IN}	Ripple rejection ratio	50	60	-	dB	120Hz, $V_{OUT} = 5V$
T_{LIMIT}	Junction temperature limit	125	-	-	$^\circ C$	---

Thermal Characteristics

Package	Power Dissipation @ T _A = 25°C	θ _{JC} °C/W	θ _{JA} °C/W
TO-92	0.74W	125	170
TO-243AA	1.6W	15	78†
TO-252	2.5W	6.25	50†

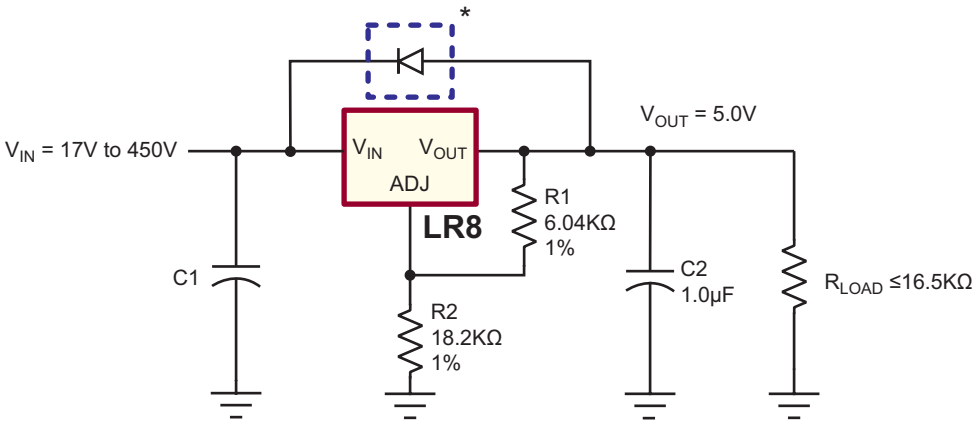
†Mounted on FR4 board, 25mm x 25mm x 1.57mm.
 Significant PD increase possible on ceramic substrate.

Functional Block Diagram



Typical Application Circuits

Figure 1: High Input Voltage, 5.0V Output Linear Regulator



* Required for conditions where V_{IN} is less than V_{OUT}

$$V_{OUT} = 1.20V \left(1 + \frac{R2}{R1} \right) + I_{ADJ} R2$$

Typical Application Circuits

Figure 2: SMPS Start-Up Circuit

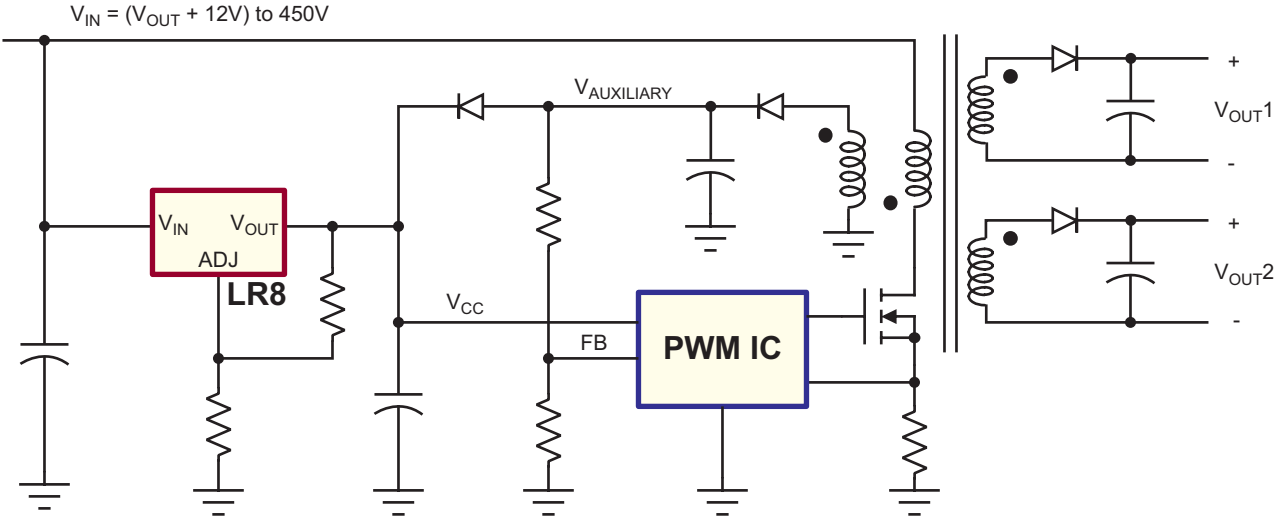
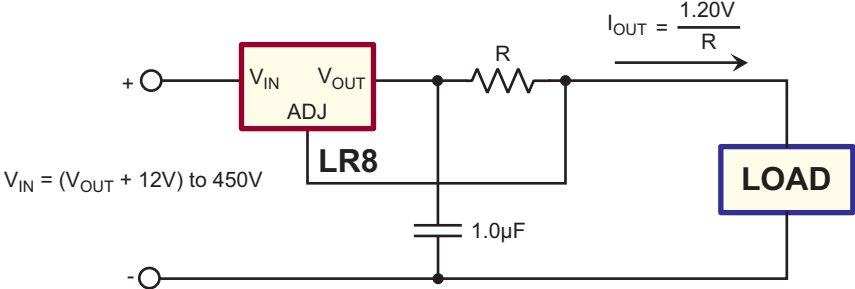
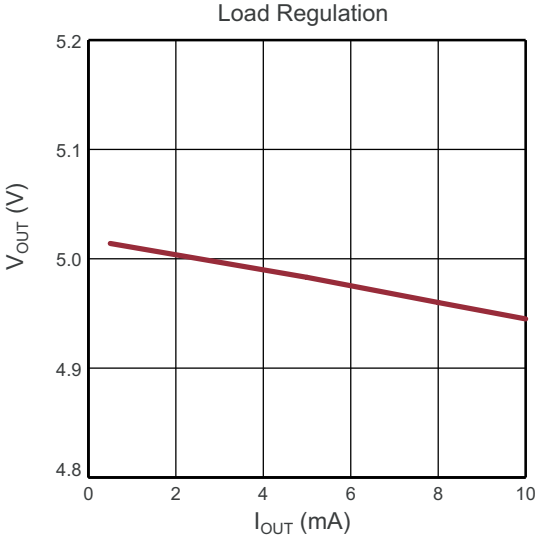
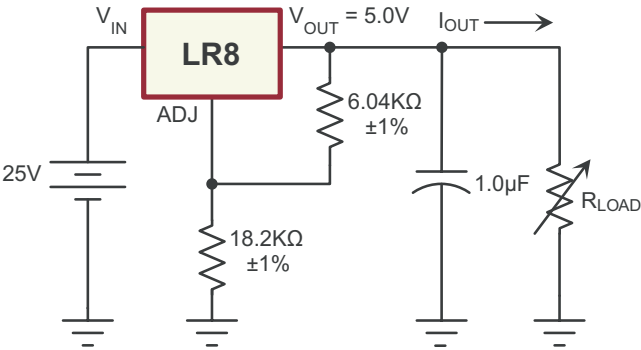
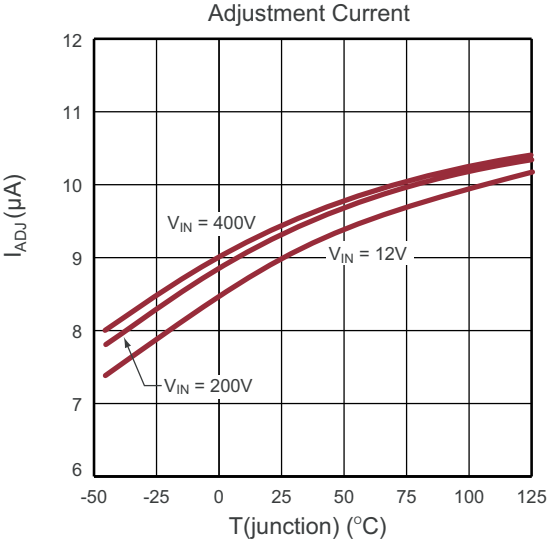
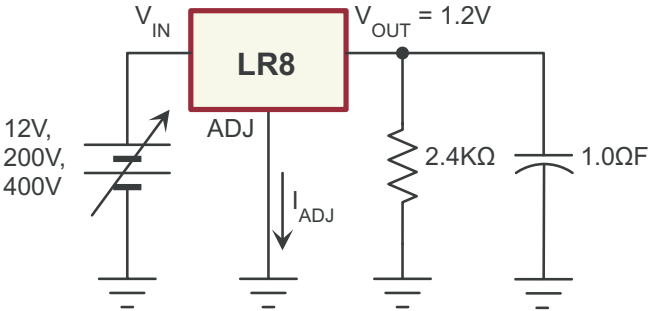
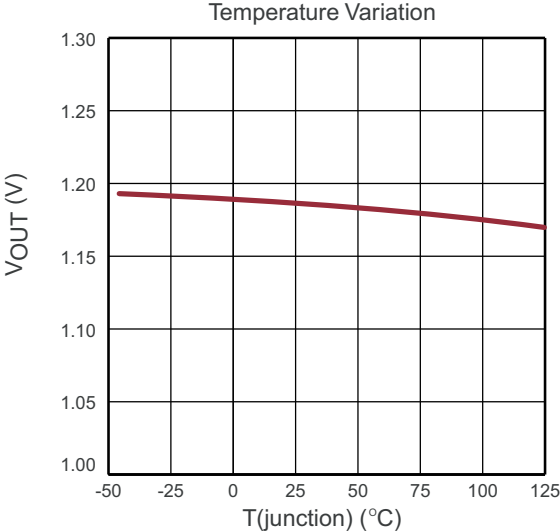
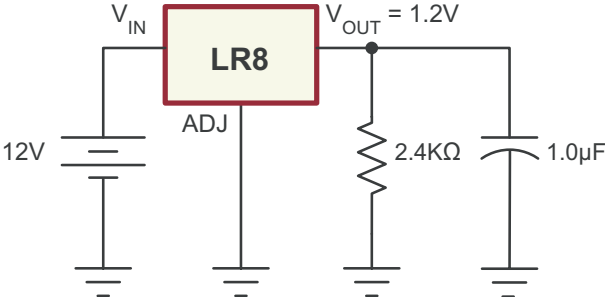


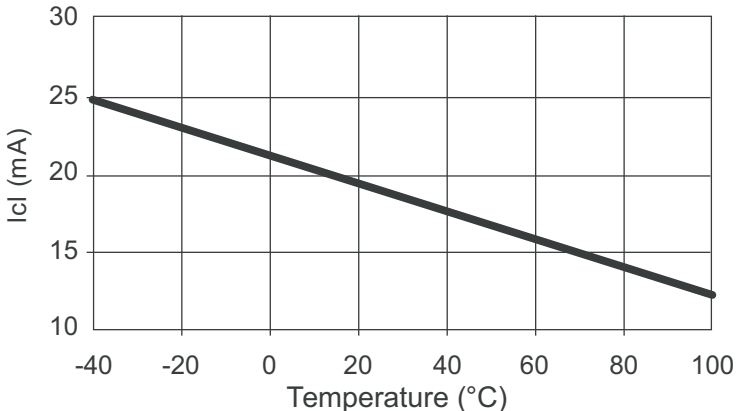
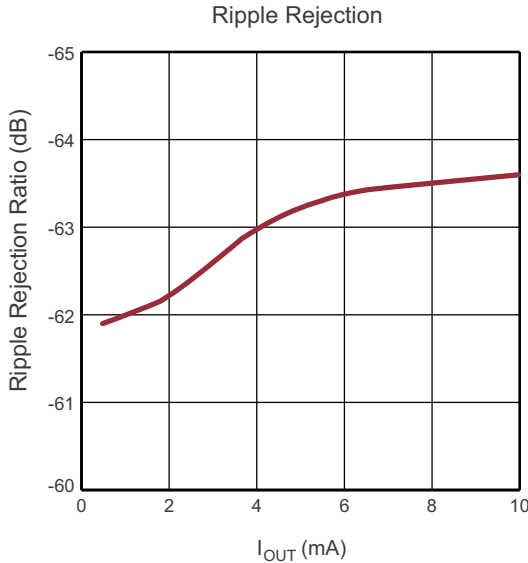
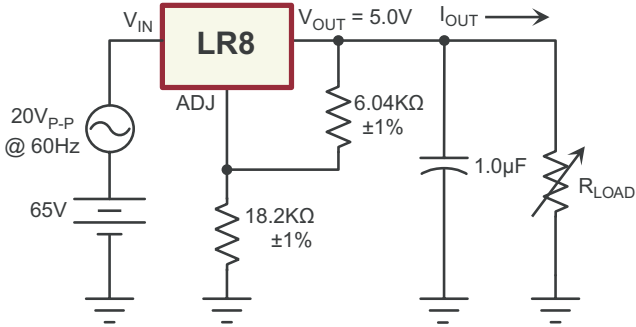
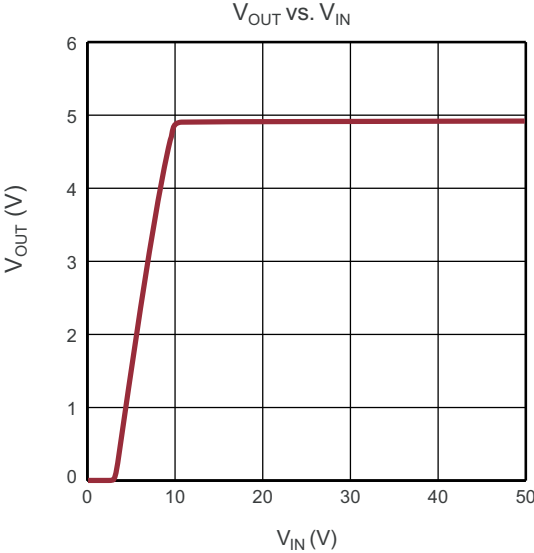
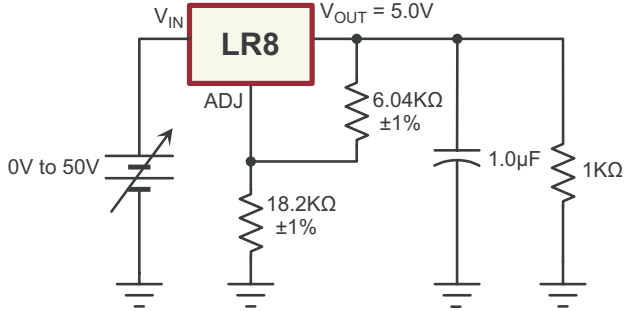
Figure 3: High Voltage Adjustable Constant Current Source



Typical Performance Curves

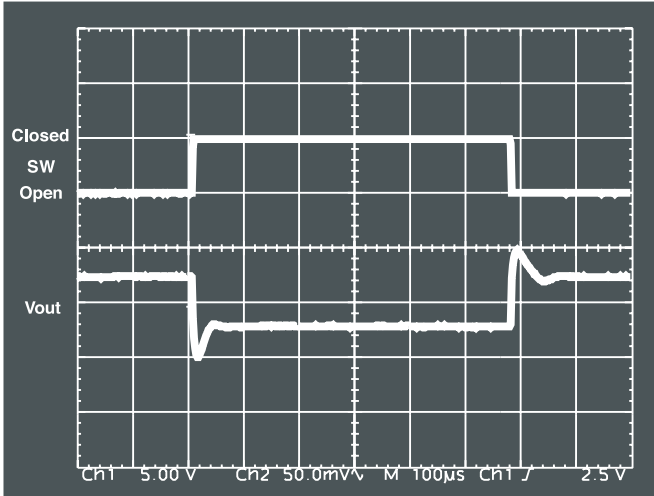
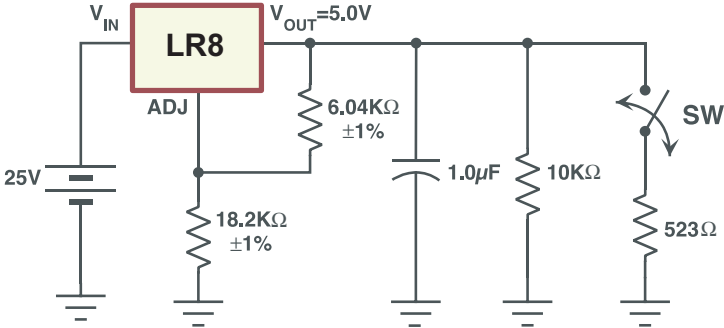


Typical Performance Curves (cont.)



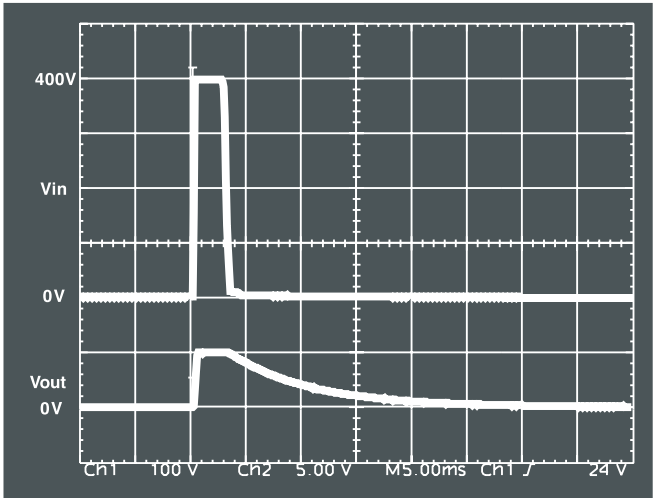
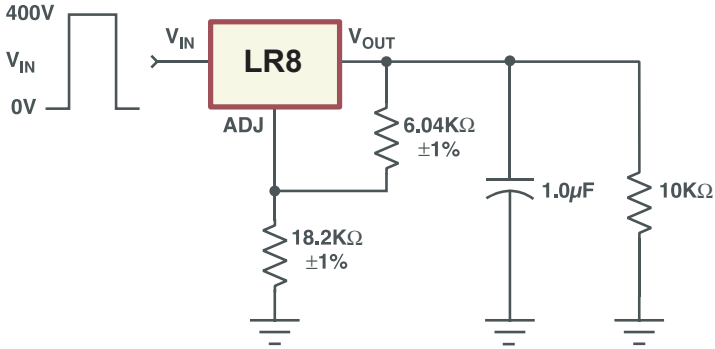
Typical Performance Curves (cont.)

Load Transient Response

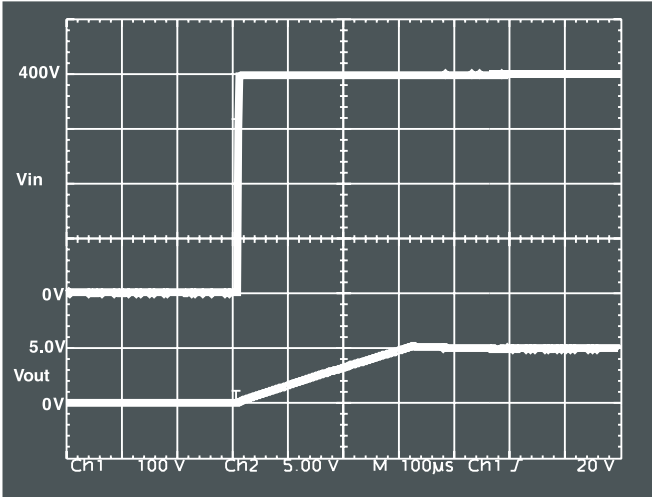


Load Transient Response

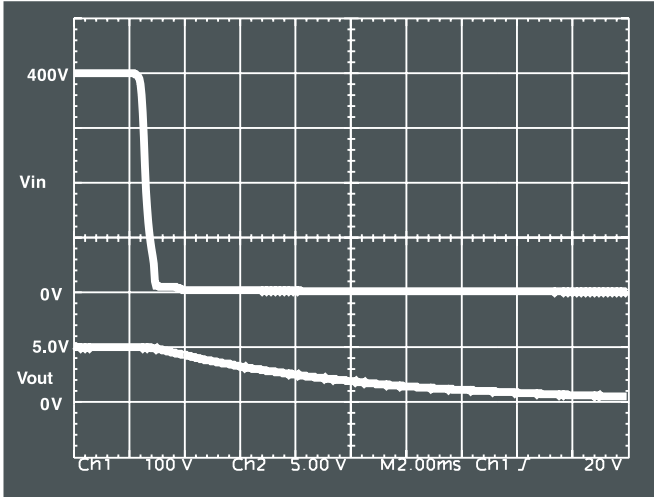
Line Transient Response



Line Transient Response

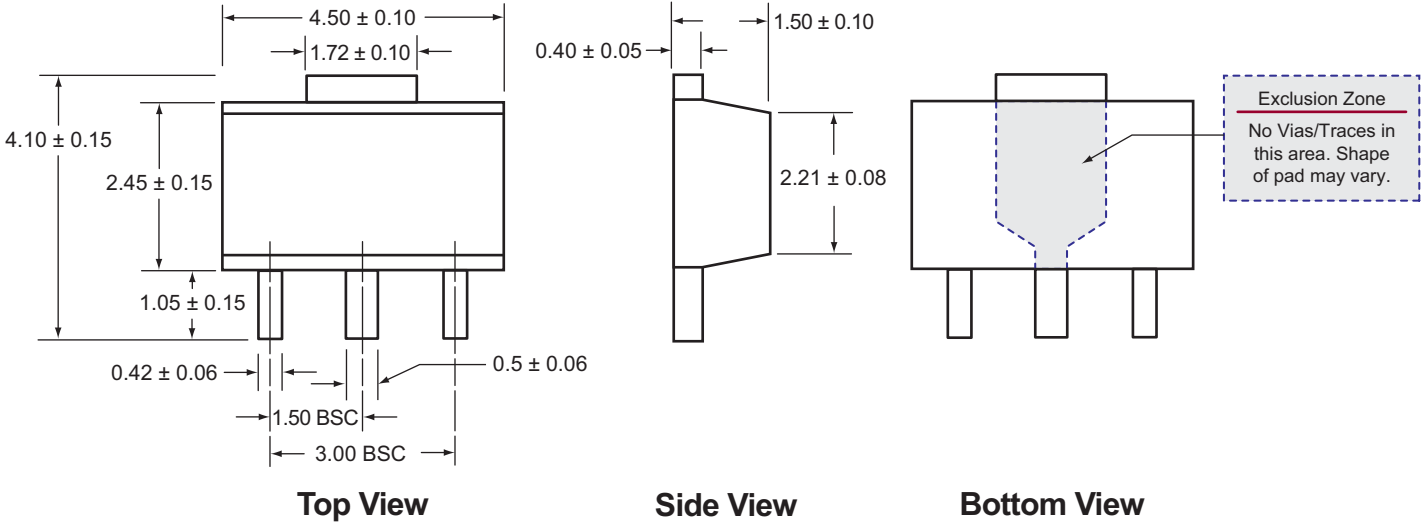


Line Power Up Transient



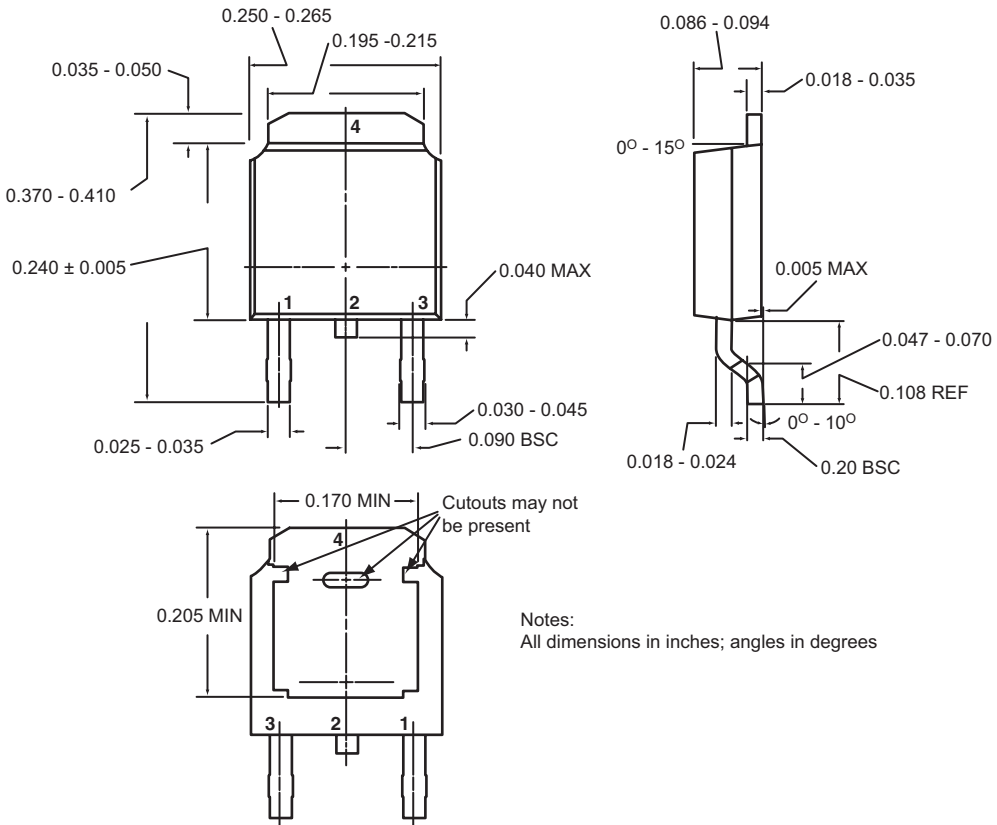
Line Power Down Transient

3-Lead TO-243AA (SOT-89) Package Outline (N8)



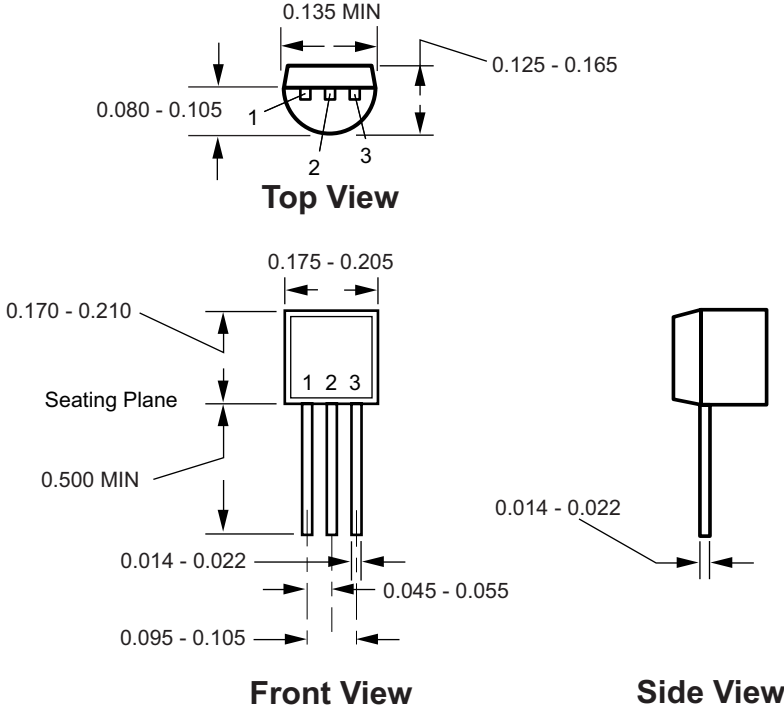
Notes:
 All dimensions are in millimeters; all angles in degrees.

3-Lead TO-252 (D-PAK) Package Outline (K4)



Notes:
 All dimensions in inches; angles in degrees

3-Lead TO-92 Package Outline (N3)



Notes:
All dimensions are in millimeters; all angles in degrees.

(The package drawing(s) in this data sheet may not reflect the most current specifications. For the latest package outline information go to <http://www.supertex.com/packaging.html>.)

Supertex inc. does not recommend the use of its products in life support applications, and will not knowingly sell its products for use in such applications, unless it receives an adequate "product liability indemnification insurance agreement". Supertex does not assume responsibility for use of devices described and limits its liability to the replacement of the devices determined defective due to workmanship. No responsibility is assumed for possible omissions or inaccuracies. Circuitry and specifications are subject to change without notice. For the latest product specifications, refer to the Supertex website: <http://www.supertex.com>.