

ALUMINUM ELECTROLYTIC CAPACITORS

皇御UHAH16R8KHHD供应商

捷多邦, 专业PCB打样工厂, 24小时加急出货

nichicon

HA series

Horizontal Deflection Current Correction Use



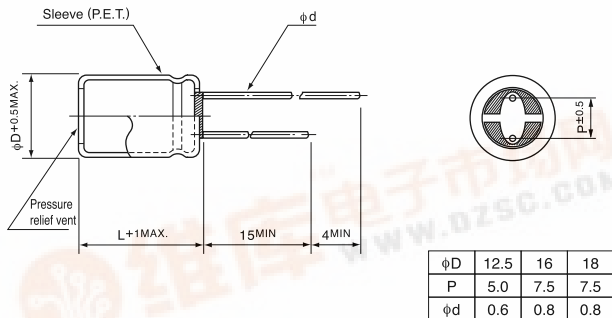
- Designed specifically for horizontal deflection current correction of TV's where high frequencies and high ripple currents are applied.
- Adapted to the RoHS directive (2002/95/EC).



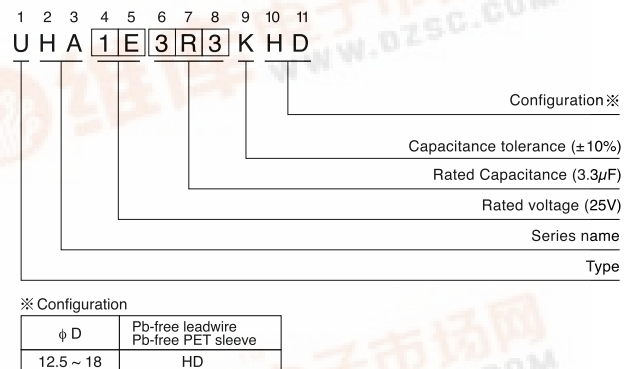
Specifications

Item	Performance Characteristics						
Category Temperature Range	-25 ~ +85°C						
Rated Voltage Range	25 · 50V						
Rated Capacitance Range	2.2 ~ 10µF						
Capacitance Tolerance	±10% at 120Hz, 20°C						
Leakage Current	After 5 minutes' application of rated voltage, leakage current is 100 (µA) or less.						
tan δ	Measurement frequency : 120Hz, Temperature : 20°C						
	<table border="1"> <tr> <td>Rated voltage (V)</td> <td>25, 50</td> </tr> <tr> <td>tan δ (MAX.)</td> <td>0.05</td> </tr> </table>	Rated voltage (V)	25, 50	tan δ (MAX.)	0.05		
Rated voltage (V)	25, 50						
tan δ (MAX.)	0.05						
Endurance	After 1000 hours' application of DC 12V on which the specified allowable ripple current is superimposed at 70°C, capacitors meet the characteristic requirements listed at right.						
	<table border="1"> <tr> <td>Capacitance change</td> <td>Within ±15% of initial value</td> </tr> <tr> <td>tan δ</td> <td>200% or less of initial specified value</td> </tr> <tr> <td>Leakage Current</td> <td>Initial specified value or less</td> </tr> </table>	Capacitance change	Within ±15% of initial value	tan δ	200% or less of initial specified value	Leakage Current	Initial specified value or less
	Capacitance change	Within ±15% of initial value					
tan δ	200% or less of initial specified value						
Leakage Current	Initial specified value or less						
Shelf Life	After storing the capacitors under no load at 85°C for 500 hours, and after performing voltage treatment based on JIS C 5101-4 clause 4.1 at 20°C, they will meet the specified value for endurance characteristics listed above.						
Marking	Printed with white color letter on black sleeve.						

Radial Lead Type



Type numbering system (Example : 25V 3.3µF)



Dimensions

Cap. (µF)	Code Item	25 (1E), 50 (1H)	
		Case size	Rated ripple
2.2	2R2	12.5 × 25	5
3.3	3R3	16 × 25	6
4.7	4R7	16 × 31.5	7
5.6	5R6	16 × 31.5	7.5
6.8	6R8	16 × 35.5	8
10	100	18 × 35.5	10

Case size (mm)

Rated ripple
Ripple (A_{p-p}) at 70°C 15.75kHz

