

# 3-terminal Filters(SMD Array) For General Signal Line

Conformity to RoHS Directive

## MEA Series MEA2010L Type

### FEATURES

- This array type MEA2010L consists of 4-line SMD filters in one chip.
- Due to small low-profile size(L2.0×W1.0×T0.7mm), it is possible to correspond to the set of the compact size and high-density mounting.
- This type corresponds to a lead-free soldering method.

### APPLICATIONS

Noise suppression for PCs, LCD panels, printers, game machines, cellular phones, DVCs, etc.

### TEMPERATURE RANGES

Operating/Storage	-40 to +85°C
-------------------	--------------

### PRODUCT IDENTIFICATION

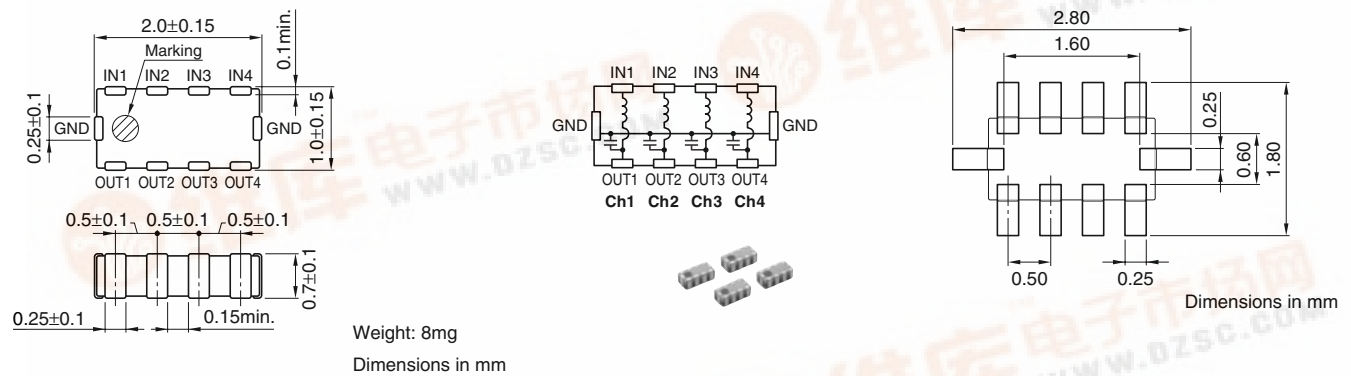
MEA	2010	L	201R	T
(1)	(2)	(3)	(4)	(5)

- (1) Series name
- (2) Dimensions L×W
- (3) L type circuit
- (4) Cutoff frequency (MHz)
- (5) Packaging style T: Taping

### PACKAGING STYLE AND QUANTITIES

Packaging style	Quantity
Taping	4000 pieces/reel

### SHAPES AND DIMENSIONS/CIRCUIT DIAGRAM/RECOMMENDED PC BOARD PATTERN

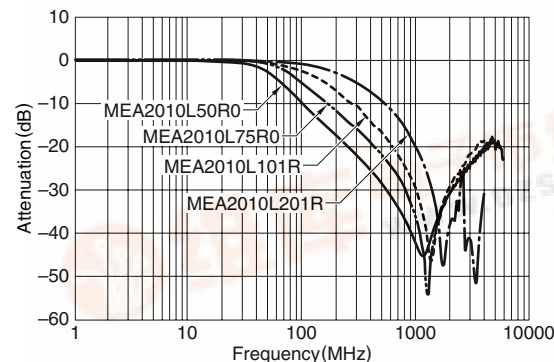


### ELECTRICAL CHARACTERISTICS

Part No.	Cutoff frequency (MHz)typ.	Attenuation 20dB frequency range (MHz)	Rated voltage (V)max.	Rated current (mA)max.
MEA2010L50R0	50	500 to 2000	10	100
MEA2010L75R0	75	600 to 2000	10	100
MEA2010L101R	100	800 to 2000	10	100
MEA2010L201R	200	1500 to 3000	10	100

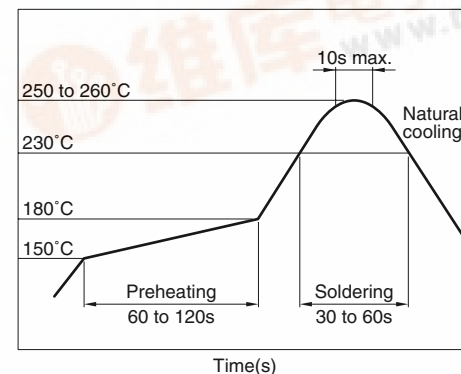
### TYPICAL ELECTRICAL CHARACTERISTICS

#### ATTENUATION vs. FREQUENCY CHARACTERISTICS



### RECOMMENDED SOLDERING CONDITION

#### REFLOW SOLDERING



• Conformity to RoHS Directive: This means that, in conformity with EU Directive 2002/95/EC, lead, cadmium, mercury, hexavalent chromium, and specific bromine-based flame retardants, PBB and PBDE, have not been used, except for exempted applications.

• Please contact our Sales office when your application are considered the following:

• The device's failure or malfunction may directly endanger human life (e.g. application for automobile/aircraft/medical/nuclear power devices, etc.)

