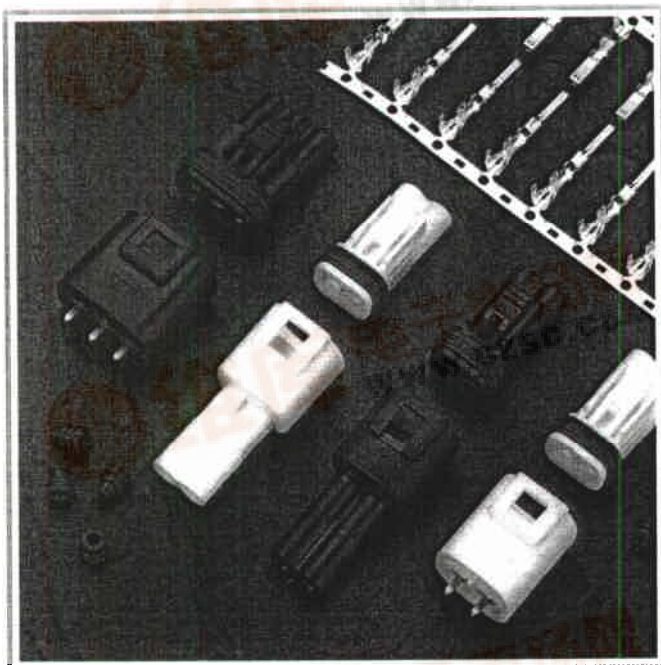


570 SERIES WATERPROOF CONNECTOR

Plug, Receptacle & Board Mount

查询570-003-042-100供应商

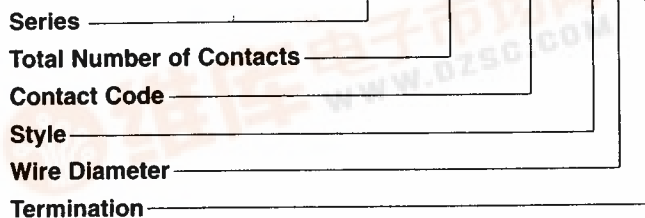
捷多邦 专业PCB打样工厂 24小时加急出货



Fully waterproof connector
 Plastic latch provides both locking mechanism and polarity
 5.8 mm Contact Spacing
 Plug and Receptacle in 2 or 3 Contact positions
 Board Mount Style available in 1, 2 or 3 contact positions
 Contact Termination Options include Crimp and P.C. Tail
 Tools Available for Contact Installation, Removal and Crimping
 Able to carry large current up to 10 A

Insulator Material: PBT (UL94V-0)
 Contact Material: Brass / Tin plating
 Wire Housing Seal: Silicone Rubber
 Current Rating: 10 Amperes maximum
 Contact Resistance: 10m Ω Maximum
 Insulator Withstanding Voltage: 1700 V AC rms at Sea Level
 Insulation Resistance: 1000M Ω Minimum at 500 VDC
 Operating Temperature: -40 to +105 Degrees C
 Rated Voltage: 300 V
 Waterproof Grade 4
 For use with PC boards up to (.063") 1.6mm

Example Part Number 570 - 003 - 000 - 1 0 0



Series 570

Total Number of Contacts 001, 002 or 003

Contact Code ^{1,2}
 000 No Contacts Assembled
 420 Board Mount Contacts Installed

Style ³
 1 Plug
 2 Receptacle

Wire Diameter ⁴
 0 None installed; both contacts and water seals sold separately

Termination
 0 Wire crimp terminals required
 1 PC Board Mount

Ordering Code Notes

1) Crimp contacts are available for the 570 series connectors. Contacts may be ordered separately for pre-wired or select position assembly.

Part Number	Description
570-290-711	Male contact for smaller gauge wire
570-290-721	Female contact for smaller gauge wire
570-290-731	Male contact for larger gauge wire
570-290-741	Female contact for larger gauge wire

2) For contact installation, removal and crimping tools, refer to page 7.

3) Insulator design prevents improper mating of individual plug and receptacle.

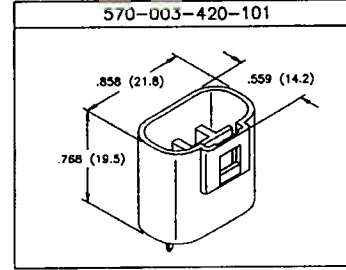
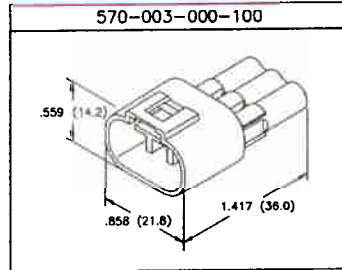
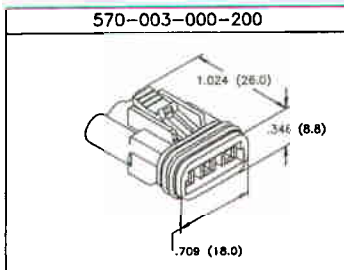
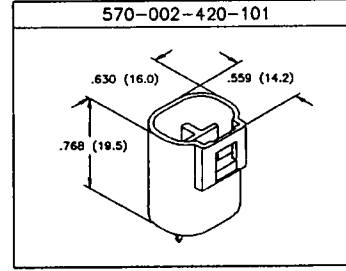
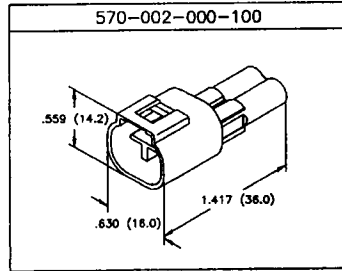
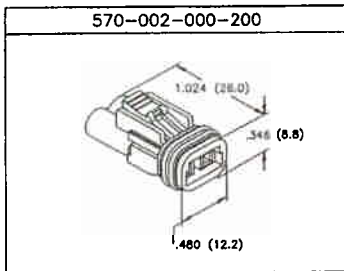
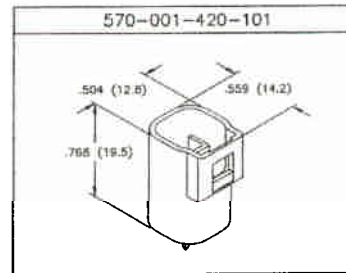
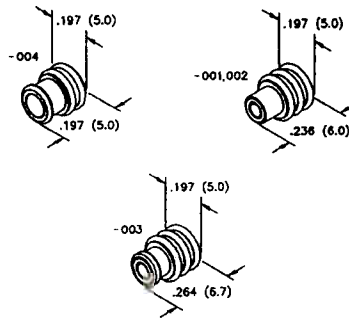
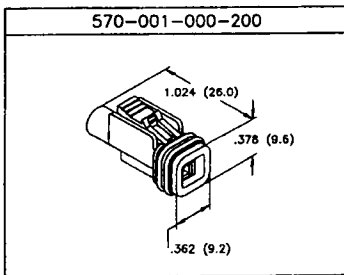
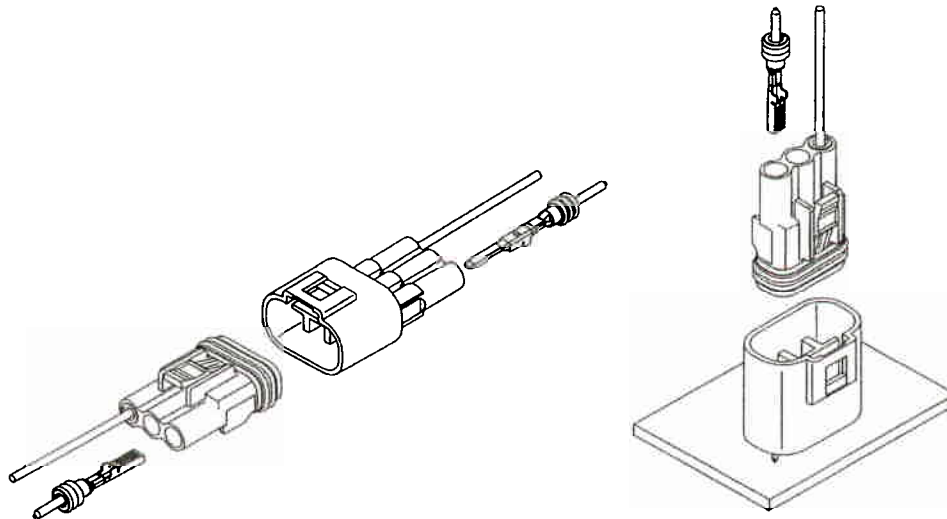
4) Wire Seals are available as follows:

Part Number	Colour	Insulation Dia	Flange
570-260-001	Black	.067" (1.7) to .075" (1.9)	No
570-260-002	Blue	.079" (2.0) to .102" (2.6)	No
570-260-003	Blue	.083" (2.1) to .106" (2.7)	Yes
570-260-004	Brown	.106" (2.7) to .122" (3.1)	Yes



570 SERIES WATERPROOF CONNECTOR

Plug, Receptacle & Board Mount



ASSEMBLY LAYOUT

- ① WIRE SEAL
- ② F TERMINAL
- ③ 570-NNN-000-200
- ④ HOUSING SEAL
- ⑤ M TERMINAL
- ⑥ 570-NNN-000-100
- ⑦ 570-NNN-000-101

