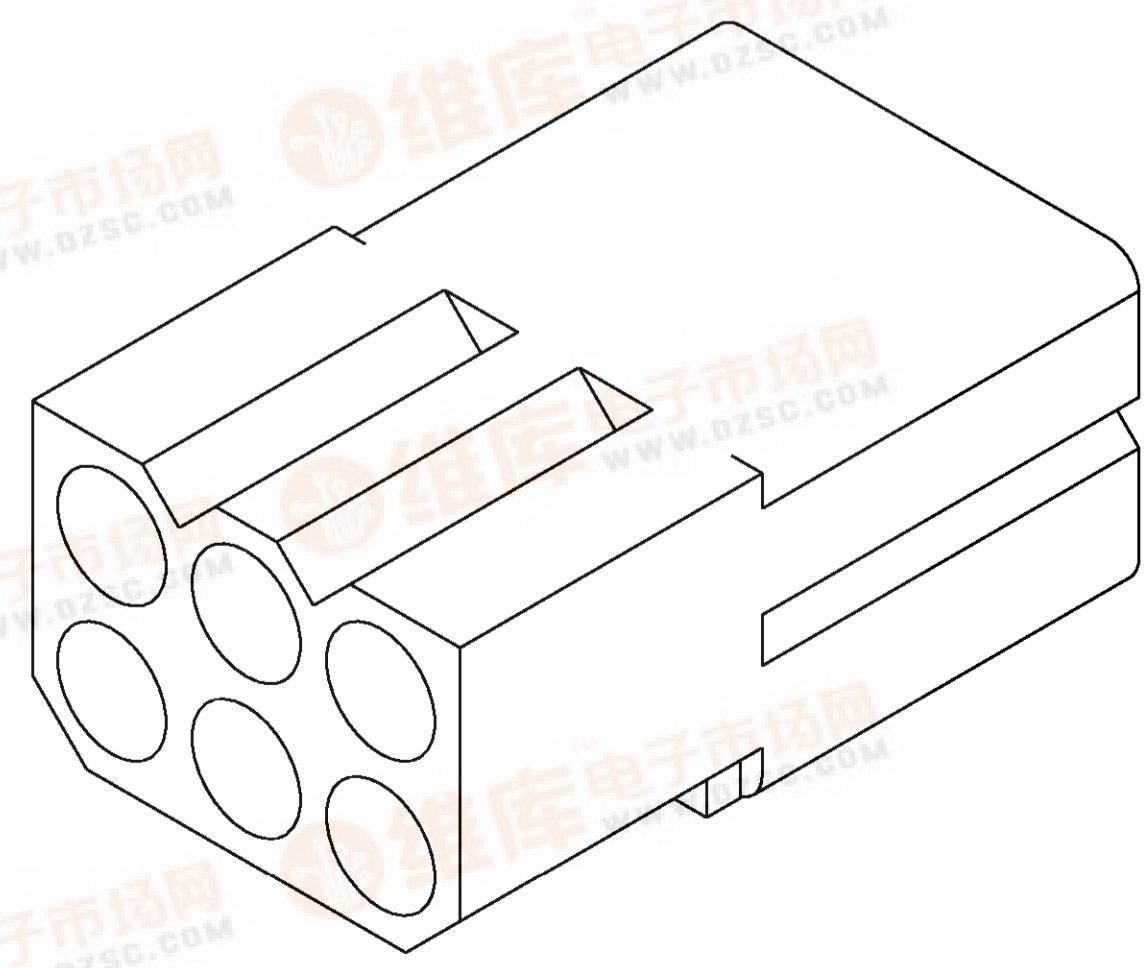
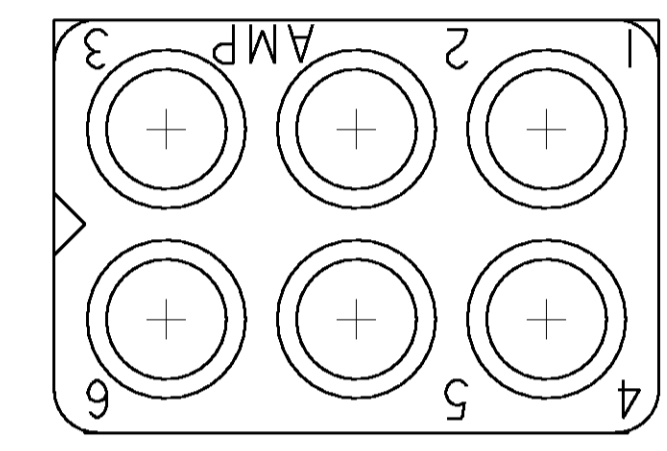
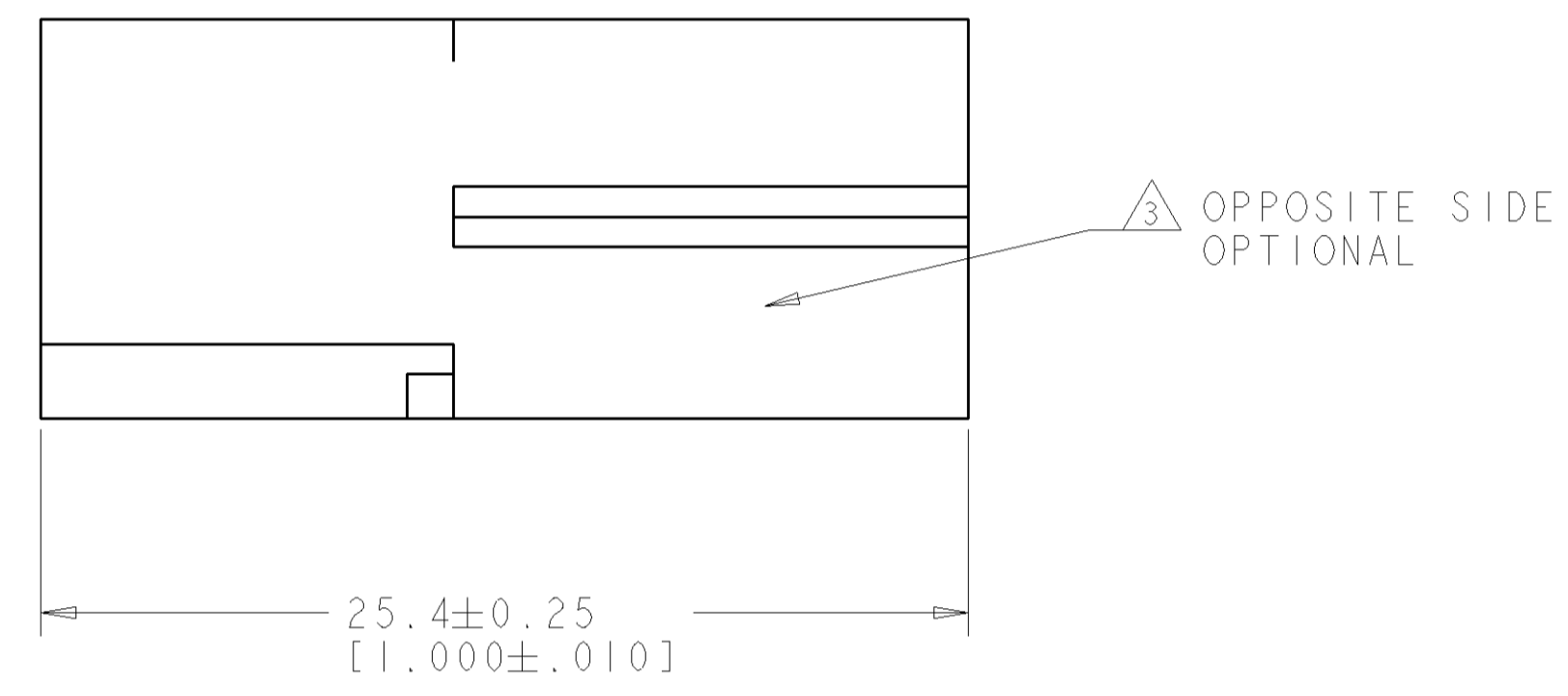
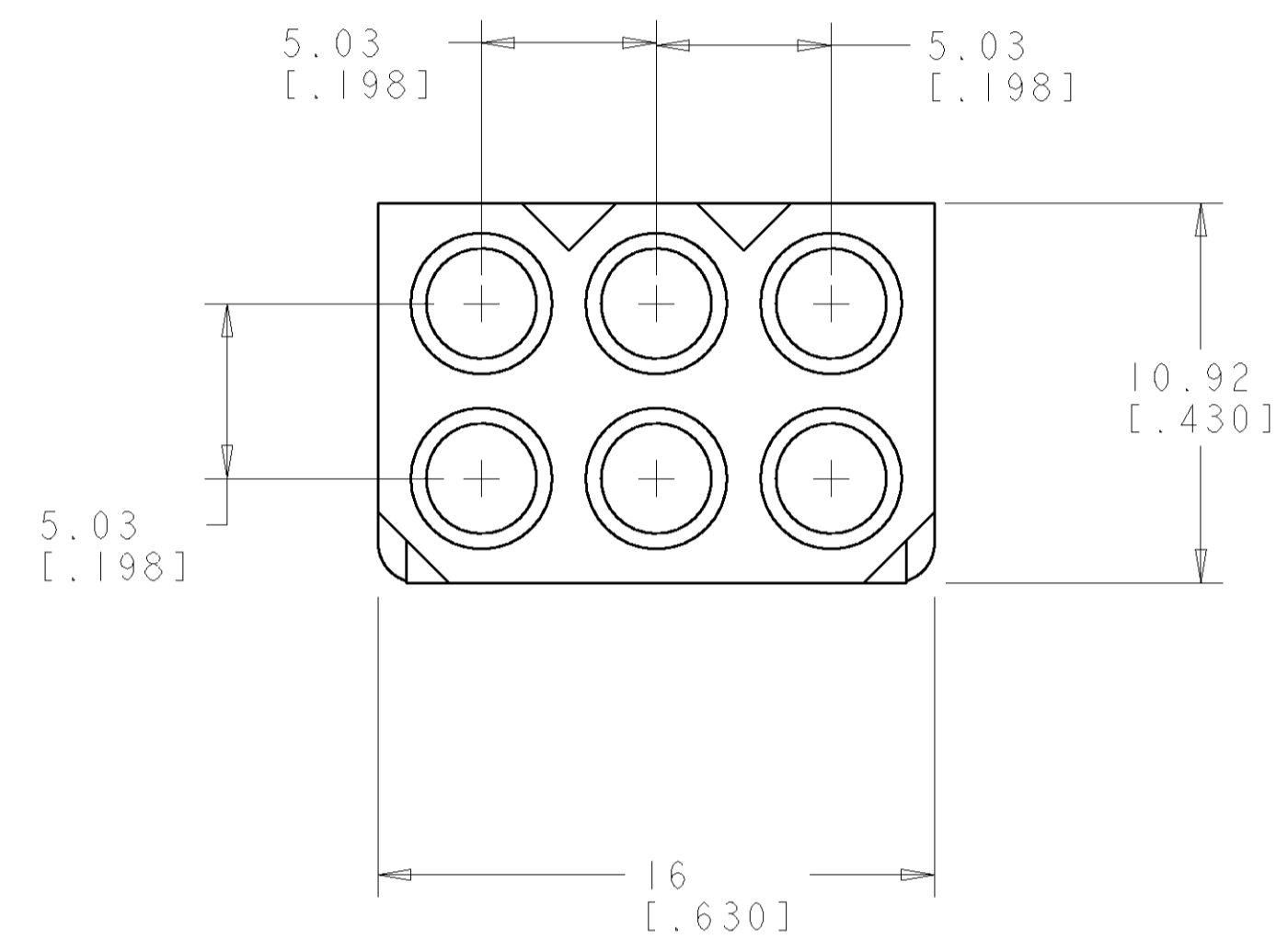


THIS DRAWING IS UNPUBLISHED. RELEASED FOR PUBLICATION
COPYRIGHT © BY TYCO ELECTRONICS CORPORATION. ALL RIGHTS RESERVED.

LOC	DIST	REVISIONS				
		REV	DESCRIPTION	DATE	DWN	APVD
CM	00	E	REVISED PER 0638-0359-01	18JAN2002	KW	DC

△ MATERIAL: NYLON UL94V-2 (NATURAL).
 △ MARKING FOR UL LOGO AND CSA LOGO LOCATED APPROXIMATELY AS SHOWN.



维库电子市场网 www.dzsc.com
 维库电子市场网 www.dzsc.com
 维库电子市场网 www.dzsc.com
 维库电子市场网 www.dzsc.com
 维库电子市场网 www.dzsc.com
 维库电子市场网 www.dzsc.com

770088-1
PART NUMBER

DIMENSIONS: mm [INCHES]		TOLERANCES UNLESS OTHERWISE SPECIFIED: 0 PLC ± 1 PLC ± 2 PLC ±0.13 [.005] 3 PLC ± 4 PLC ± ANGLES ±		DWN R. WHITAKER 18JAN2002 CHR D. COLEY 18JAN2002 APVD D. COLEY 18JAN2002	Tyco Electronics Harrisburg, PA 17105-3608
MATERIAL: △		FINISH: -		NAME: RECEPTACLE, 6 CIRCUIT, COMMERCIAL PIN AND SOCKET	SIZE: A1 CAGE CODE: 00779 DRAWING NO: C=770088
CUSTOMER DRAWING		WEIGHT: -		RESTRICTED TO: -	SCALE: 5:1 SHEET: 1 OF 1 REV: E

METRIC