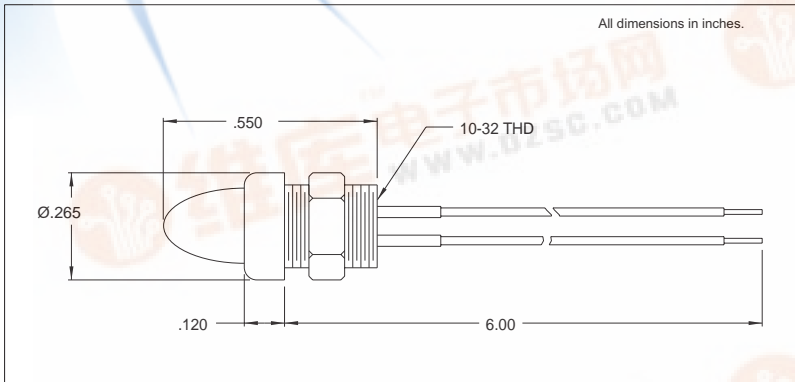




Astrolite LED Indicator Lights

DESCRIPTION AND FEATURES



The Chicago Miniature Lamp Astrolite indicator lights provide versatile solid state indication in an aesthetically pleasing economical, compact, panel mountable package. Luminous intensities as high as 300 mcd are available. As special order, these indicator lights can be provided with a voltage dropping resistor built into the lead for operation at higher voltages.

SPECIFICATIONS

Mounting Hole:	Ø.193 "D" hole
Mounting Centers:	.334
Maximum Panel Thickness:	.188
Bezel/Shank Material:	Chrome Plated Brass
Hex Nut:	Nickel Plated Brass
Wire Leads:	26 AWG Stranded, 105°C PVC Insulation, black to Anode, white to Cathode

ELECTRO-OPTICAL CHARACTERISTICS

Part Number	Emitted Color	Lens Color	Lens Type	Luminous Intensity		Forward Voltage		Viewing Angle (degrees)	Peak Wavelength (nm)	V _R	Max. I _F
				Min. (mcd)	Typ. (mcd)	Typ.	Max.				
6039-004-304R	H.E. Red	Red	Light Diff.	0.4	1.5	1.6	2.0	50	630	5.0	35 mA
6039-004-304G	H.E. Grn.	Green	Light Diff.	2.0	12.0	2.2	3.0	50	565	5.0	35 mA
6039-004-304Y	Yellow	Yellow	Light Diff.	1.5	8.0	2.1	3.0	50	585	5.0	35 mA
6039-004-304S	H.E. Red	Red	Diffused	12.5	30.0	2.0	2.5	60	625	5.0	30 mA
6039-004-304H	H.E.Gr.	Green	Diffused	5.0	15.0	2.2	2.5	60	565	5.0	25 mA
6039-004-304Z	Yellow	Yellow	Diffused	5.0	15.0	2.1	2.5	60	590	5.0	30 mA
6039-004-304UR	Ultra Red	Red	Diffused	100.0	300.0	1.85	2.5	60	660	5.0	30 mA



America:
 CML Innovative Technologies, Inc.
 147 Central Avenue
 Hackensack, NJ 07601 -USA
 Tel: 1-201-489-8989
 Fax: 1-201-489-6911
 e-mail: americas@cml-it.com

Europe:
 CML Technologies GmbH & Co.KG
 Robert-Bunsen-Str.1
 67098 Bad Dürkheim -GERMANY
 Tel: +49 (0)6322 9567-0
 Fax: +49 (0)6322 9567-88
 e-mail: europe@cml-it.com

Asia:
 CML Innovative Technologies, Inc.
 61 Aida Street
 Singapore 459975
 Tel: (65)9630-5003
 e-mail: asia@cml-it.com