

Rubycon LARGE CAN TYPE ALUMINUM ELECTROLYTIC CAPACITORS **VXR**

VXR SERIES

105°C 7000 hours, Snap-in Terminal Type.

◆FEATURES

- Load Life : 105°C 7000hours.
- RoHS compliance.



◆SPECIFICATIONS

Items	Characteristics								
Category Temperature Range	-25~+105°C								
Rated Voltage Range	160~450WV								
Capacitance Tolerance	±20% (20°C, 120Hz)								
Leakage Current(MAX)	$I=3\sqrt{CV}$ (After 5 minutes application of rated voltage) I =Leakage Current(μA) V =Rated Voltage(V) C =Rated Capacitance(μF)								
Dissipation Factor(MAX) (tan δ)	<table border="1"> <tr> <td>Rated Voltage</td> <td>160~250WV</td> <td>315~450WV</td> <td>(20°C, 120Hz)</td> </tr> <tr> <td>tan δ</td> <td>0.15</td> <td>0.20</td> <td></td> </tr> </table>	Rated Voltage	160~250WV	315~450WV	(20°C, 120Hz)	tan δ	0.15	0.20	
Rated Voltage	160~250WV	315~450WV	(20°C, 120Hz)						
tan δ	0.15	0.20							
Impedance Ratio(MAX)	<table border="1"> <tr> <td>Rated Voltage (V)</td> <td>160~250WV</td> <td>315~450WV</td> <td>(120Hz)</td> </tr> <tr> <td>Z(-25°C)/Z(20°C)</td> <td>3</td> <td>8</td> <td></td> </tr> </table>	Rated Voltage (V)	160~250WV	315~450WV	(120Hz)	Z(-25°C)/Z(20°C)	3	8	
Rated Voltage (V)	160~250WV	315~450WV	(120Hz)						
Z(-25°C)/Z(20°C)	3	8							
Endurance	<p>After applying rated voltage with rated ripple current for 7000hrs at 105°C, the capacitors shall meet the following requirements.</p> <table border="1"> <tr> <td>Capacitance Change</td> <td>Within ±20% of the initial value.</td> </tr> <tr> <td>Dissipation Factor</td> <td>Not more than 200% of the specified value.</td> </tr> <tr> <td>Leakage Current</td> <td>Not more than the specified value.</td> </tr> </table>	Capacitance Change	Within ±20% of the initial value.	Dissipation Factor	Not more than 200% of the specified value.	Leakage Current	Not more than the specified value.		
Capacitance Change	Within ±20% of the initial value.								
Dissipation Factor	Not more than 200% of the specified value.								
Leakage Current	Not more than the specified value.								

◆MULTIPLIER FOR RIPPLE CURRENT

Frequency coefficient

(Hz) Frequency	60(50)	120	500	1k	10k≤
Coefficient 160~250WV	0.80	1.00	1.20	1.30	1.50
315~450WV	0.80	1.00	1.20	1.25	1.40

◆PART NUMBER

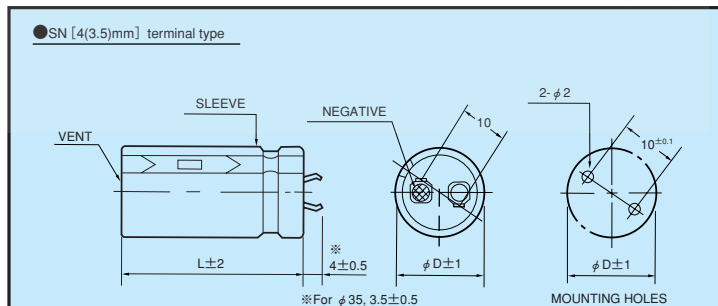
□□□ VXR □□□□□ □ OOE SN D×L
 Rated Voltage Series Rated Capacitance Capacitance Tolerance Option Terminal Code Case Size

◆Option

	Code
without plate	OOE
with plate	Blank

◆DIMENSIONS

(mm)





◆ STANDARD SIZE, RATED RIPPLE CURRENT

Cap(μF) WV φD	160				180			
	φ 22	φ 25	φ 30	φ 35	φ 22	φ 25	φ 30	φ 35
220					22×25: 1.00			
270	22×25: 1.10				22×25: 1.10			
330	22×30: 1.20				22×30: 1.20	25×25: 1.20		
390	22×30: 1.30	25×25: 1.30			22×30: 1.30	25×25: 1.30		
470	22×35: 1.40	25×30: 1.40			22×35: 1.40	25×30: 1.40	30×25: 1.40	
560	22×40: 1.50	25×30: 1.50	30×25: 1.50		22×40: 1.50	25×35: 1.50	30×25: 1.50	
680	22×45: 1.70	25×35: 1.70	30×30: 1.70		22×45: 1.70	25×35: 1.70	30×30: 1.70	
820	22×50: 2.00	25×40: 2.00	30×30: 2.00			25×40: 2.00	30×35: 2.00	35×30: 2.00
1000		25×45: 2.20	30×35: 2.20	35×30: 2.20		25×50: 2.20	30×35: 2.20	35×30: 2.20
1200		25×50: 2.30	30×40: 2.30	35×35: 2.30			30×40: 2.30	35×35: 2.30
1500			30×45: 2.50	35×35: 2.50			30×50: 2.50	35×40: 2.50
1800			30×50: 2.70	35×40: 2.70				35×45: 2.70
2200				35×45: 2.90				35×50: 2.90

Cap(μF) WV φD	200				250			
	φ 22	φ 25	φ 30	φ 35	φ 22	φ 25	φ 30	φ 35
180					22×25: 0.90	25×25: 0.90		
220	22×25: 1.00				22×30: 1.00	25×25: 1.00		
270	22×30: 1.10	25×25: 1.10			22×35: 1.10	25×30: 1.10	30×25: 1.10	
330	22×30: 1.20	25×25: 1.20			22×40: 1.20	25×30: 1.20	30×25: 1.20	
390	22×35: 1.30	25×30: 1.30	30×25: 1.30		22×45: 1.30	25×35: 1.30	30×30: 1.30	
470	22×40: 1.40	25×35: 1.40	30×25: 1.40		22×50: 1.40	25×40: 1.40	30×30: 1.40	35×30: 1.40
560	22×45: 1.50	25×35: 1.50	30×30: 1.50			25×45: 1.50	30×35: 1.50	35×30: 1.50
680	22×50: 1.70	25×40: 1.70	30×30: 1.70			25×50: 1.70	30×40: 1.70	35×35: 1.70
820		25×45: 2.00	30×35: 2.00	35×30: 2.00			30×45: 2.00	35×35: 2.00
1000			30×40: 2.20	35×35: 2.20			30×50: 2.20	35×40: 2.20
1200			30×45: 2.30	35×40: 2.30				35×45: 2.30
1500				35×50: 2.50				

Cap(μF) WV φD	315				350			
	φ 22	φ 25	φ 30	φ 35	φ 22	φ 25	φ 30	φ 35
82	22×25: 0.64				22×25: 0.64			
100	22×30: 0.69				22×30: 0.69	25×25: 0.69		
120	22×30: 0.75	25×25: 0.75			22×35: 0.75	25×30: 0.75		
150	22×35: 0.82	25×30: 0.82	30×25: 0.82		22×40: 0.82	25×30: 0.82	30×25: 0.82	
180	22×40: 0.90	25×30: 0.90	30×25: 0.90		22×45: 0.90	25×35: 0.90	30×30: 0.90	
220	22×45: 1.00	25×35: 1.00	30×30: 1.00		22×50: 1.00	25×40: 1.00	30×30: 1.00	
270		25×40: 1.10	30×35: 1.10	35×30: 1.10		25×45: 1.10	30×35: 1.10	35×30: 1.10
330		25×50: 1.20	30×40: 1.20	35×30: 1.20			30×40: 1.20	35×35: 1.20
390			30×40: 1.30	35×35: 1.30			30×45: 1.30	35×35: 1.30
470			30×45: 1.40	35×40: 1.40			30×50: 1.40	35×40: 1.40
560				35×45: 1.50				35×50: 1.50
680				35×50: 1.70				

Cap(μF) WV φD	400				450			
	φ 22	φ 25	φ 30	φ 35	φ 22	φ 25	φ 30	φ 35
39					22×25: 0.37			
47					22×30: 0.40			
56	22×25: 0.51				22×35: 0.47	25×25: 0.47		
68	22×30: 0.56	25×25: 0.56			22×40: 0.53	25×30: 0.53		
82	22×30: 0.64	25×25: 0.64			22×45: 0.56	25×35: 0.56	30×25: 0.56	
100	22×35: 0.69	25×30: 0.69			22×50: 0.64	25×40: 0.64	30×30: 0.64	
120	22×40: 0.75	25×30: 0.75	30×25: 0.75			25×45: 0.72	30×30: 0.72	
150	22×45: 0.82	25×35: 0.82	30×30: 0.82			25×50: 0.79	30×40: 0.79	35×30: 0.79
180	22×50: 0.90	25×40: 0.90	30×30: 0.90	35×25: 0.90			30×45: 0.87	35×35: 0.87
220		25×45: 1.00	30×35: 1.00	35×30: 1.00			30×50: 1.00	35×40: 1.00
270			30×40: 1.10	35×35: 1.10				35×45: 1.19
330			30×45: 1.20	35×40: 1.20				35×50: 1.38
390				35×45: 1.30				
470				35×50: 1.40				