

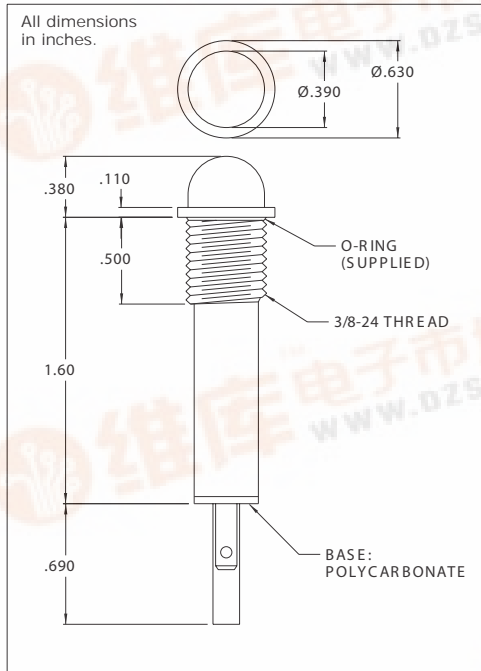
147 Central Avenue
Hackensack, New Jersey 07601
Tel: 201-489-8989 • Fax: 201-489-6911



CHICAGO MINIATURE LAMP, INC.
WHERE INNOVATION COMES TO LIGHT

6010QM, 6011QM, 6012QM, 6013QM and 6091QM Series Oil-Tight Non-Relampable Neon-LED Indicator Lights

DESCRIPTION AND FEATURES



Solid-state indicator lights complete with built-in current-limiting resistor and rectifier diode.

Meets NEMA Class 13

Mounting: \varnothing .380 min. hole. Supplied with internal tooth lock washer and hex nut. Mounting hole pattern on page SP2.

Lens: Polycarbonate

Terminals: Quick-connect, tinned brass .187 .020.

Bezel: Polished stainless steel. For black finish add "X" after the series letter(s).

Gaskets: Buna-N

Housing: Black Nylon

| Lens Color | Incandescent | |
|------------|------------------------|------------------------|
| | Model No. (105-125VAC) | Model No. (208-250VAC) |
| Red | 6010QM1 | 6011QM1 |
| Amber | 6010QM3 | 6011QM3 |
| Green | 6012QM5* | 6013QM5* |
| Lamp used | C2A+Resistor | C2A+Resistor |

| Lens Color | LED Solid State Indicator | | |
|--------------------------|---------------------------|-------------------|------------------|
| | Model No. for 12V | Model No. for 24V | Incorporates LED |
| Red | 6091QM1-12V | 6091QM1-24V | 4304H1 |
| Green | 6091QM5-12V | 6091QM5-24V | 4304H5 |
| Yellow | 6091QM7-12V | 6091QM7-24V | 4304H7 |
| Internal Resistor (ohms) | 390 | 1000 | - |

* Incorporates G2B lamp and resistor. Underwriters Laboratories (UL) File No. E20325 Canadian Standards Association (CSA) File No. LR13346

Note: Also incorporates IN4004 (400 P.I.V.) rectifier diode. Red lead positive.

Chicago Miniature Lamp reserves the right to make specification revisions that enhance the design and/or performance of the product

