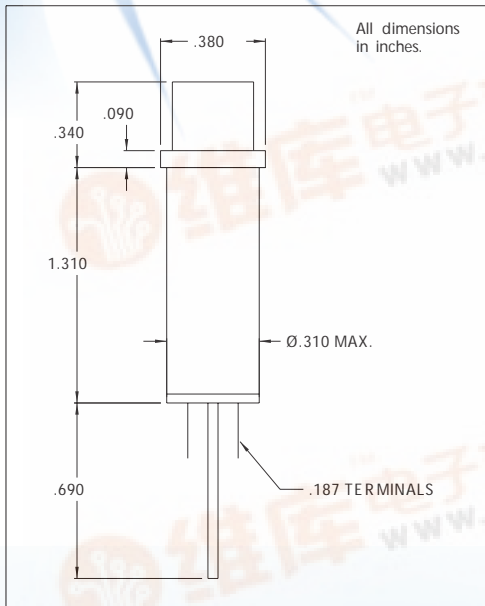




2150QA and 2151QA Series Non-Relampable Neon Indicator Lights

DESCRIPTION AND FEATURES



Mounting: \varnothing .310 MIN., supplied with push-on speednut SN1287.

Terminals: Quick-connect, tinned brass, .187 x .020

Lens: Polycarbonate

Bezel: Polished stainless steel. For black finish add "X" after the series letter(s).

Housing: White Nylon

Lens Color	Incandescent	
	Model No. (105-125VAC)	Model No. (208-250VAC)
Red	2150QA1	2151QA1-28V
Amber	2150QA3	2151QA3-28V
White	2150QA4	2151QA4-28V
Green	2152QA5*	2153QA5-28V
Lamp	C2A+Resistor	C2A+Resistor

* Incorporates G2B lamp and resistor.
Underwriters Laboratories (UL) File No. E20325
Canadian Standards Association (CSA) File No. LR13346

