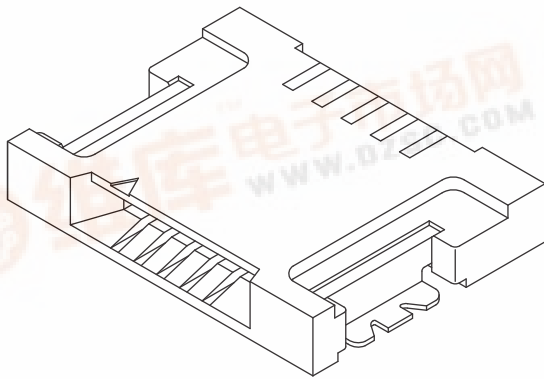


0.50mm (0.02") PITCH CONNECTOR



FPC/FFC Connector Housing

05010HR-NNC Series
SMT, NON-ZIF(Dual Sided Contact Type)
Right Angle

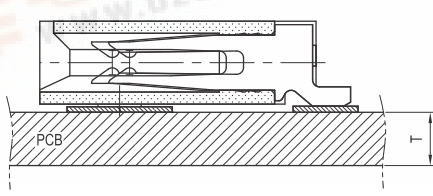
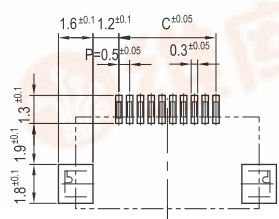
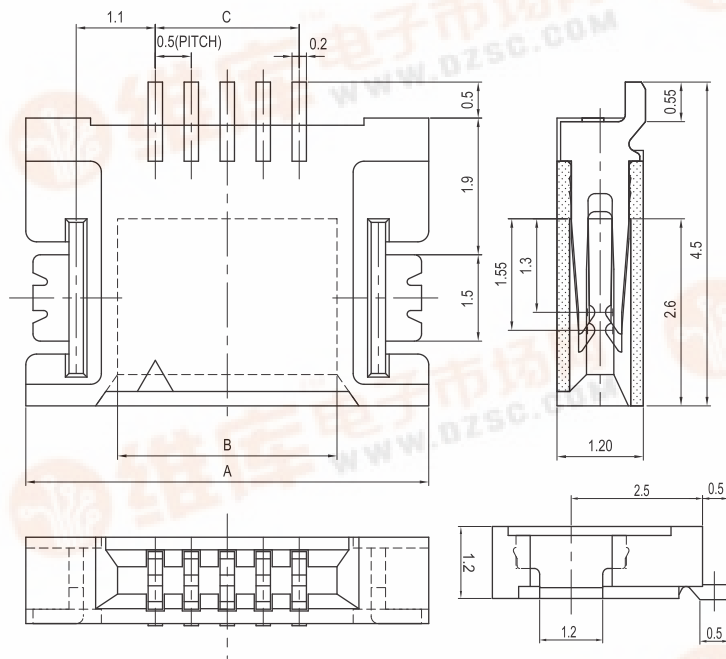


Material

I/NO	DESCRIPTION	TITLE	MATERIAL
1	HOUSING	05010HR-NNC	PA46 or LCP, PA6T, UL 94V Grade
2	TERMINAL	05010TR-C	Phosphor Bronze & Tin plated
3	HOOK	05010LR-C	Phosphor Bronze & Tin plated

Available Pin

PARTS NO.	A	B	C
05010HR - 04C	5.1	2.5	1.5
05010HR - 05C	5.6	3.0	2.0
05010HR - 06C	6.1	3.5	2.5
05010HR - 07C	6.6	4.0	3.0
05010HR - 08C	7.1	4.5	3.5
05010HR - 09C	7.6	5.0	4.0
05010HR - 10C	8.1	5.5	4.5
05010HR - 11C	8.6	6.0	5.0
05010HR - 12C	9.1	6.5	5.5
05010HR - 13C	9.6	7.0	6.0
05010HR - 14C	10.1	7.5	6.5
05010HR - 15C	10.6	8.0	7.0
05010HR - 16C	11.1	8.5	7.5
05010HR - 17C	11.6	9.0	8.0
05010HR - 18C	12.1	9.5	8.5
05010HR - 19C	12.6	10.5	9.0
05010HR - 20C	13.1	11.0	9.5



Specification

ITEM	SPEC
Voltage Rating	AC/DC 50V
Current Rating	AC/DC 0.5A
Operating Temperature	-25°C ~ +85°C
Contact Resistance	30mΩ MAX
Withstanding Voltage	AC500V/1min
Insulation Resistance	100MΩ MIN
Applicable Wire	-
Applicable P.C.B	0.8 ~ 1.6mm
Applicable FPC/FFC	0.30±0.05mm
Solder Height	0.15mm
Crimp Tensile Strength	-
UL FILE NO	-

