

Cathode to Stud Shown
(Anode to Stud add Suffix R)

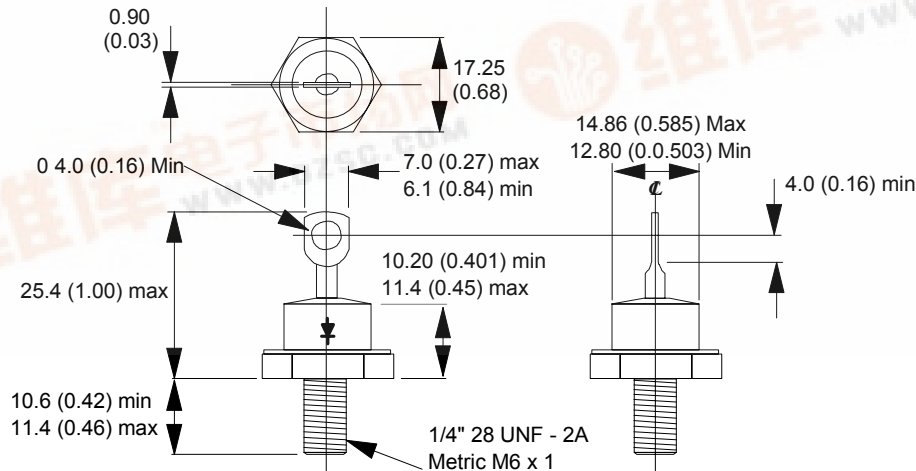
Symbol



MAXIMUM RATINGS (Tj = 25°C unless stated otherwise)											
Parameter	Symbol	40HF(R) -10	40HF(R) -20	40HF(R) -40	40HF(R) -60	40HF(R) -80	40HF(R) -100	40HF(R) -120	40HF(R) -140	40HF(R) -160	Unit
Repetitive Peak Reverse Voltage	V_{RRM}	100	200	400	600	800	1000	1200	1400	1600	Volt
Maximum Average On-State Current	$I_{F(AV)}$	40 at tj = 140°C							40 at tj = 110°C		Amp
Peak Forward Surge Current 8.3ms	I_{FSM}	595							500		Amp
Maximum I ² T for Fusing 8.3ms	I ² T	1450							1050		A ² /S
Maximum Storage Temperature Range	T _(STG)	-40 to +190							-65 to +160		°C
Maximum Junction Temperature Range	Tj	-40 to +190							-65 to +160		°C

ELECTRICAL CHARACTERISTICS at Tj = 25°C Maximum. Unless stated Otherwise						
Parameter	Symbol	Condition	Value			Unit
			Min	Typ	Max	
Maximum Forward Voltage	V_{FM}	$I_{FM} = 125$ Amps (100 -1200V)			1.30	Volt
Maximum Forward Voltage	V_{FM}	$I_{FM} = 125$ Amps (1400 -1600V)			1.50	Volt
Repetitive Peak Reverse Current	I_{RRM}	$V_R = V_{RRM}$, tj= tj Max(100 -1200V)			9.0	mA
Repetitive Peak Reverse Current	I_{RRM}	$V_R = V_{RRM}$, tj= tj Max(1400 -1600V)			4.5	mA
Thermal Resistance (Junction to Case)	$R_{TH (J-C)}$				0.95	°C/W
Mounting Torque	M_T				2.5	NM
Weight	Wt				17	grms

Mechanical Outline



Case: Metal/ Glass to Metal Seal

