

# .100" Shunt

929 Series



- Double wipe contact is reliable and failure free
- Loop hole on top of the contact provides easy removal for testing
- Color coded body for easy recognition of plating
- Available in strips of twenty for enhanced robotic handling capability
- Open top contact allows easy probing and testing

Date Modified: February 19, 1999

TS-0528-04  
Sheet 1 of 2

113

## Physical

### Insulation

Material: Glass Filled Polyester (PBT)  
 Flammability: UL 94V-0  
 Color: Red, Blue or Gray  
 See Ordering Information

### Contact

Material: Copper Alloy  
 Plating: See Ordering Information

Marking: 3M Logo

## Electrical

Current Rating: 2 A  
 Insulation Resistance:  $> 5 \times 10^9 \Omega$  at 500 Vdc  
 Withstanding Voltage: 1500 Vrms at Sea Level

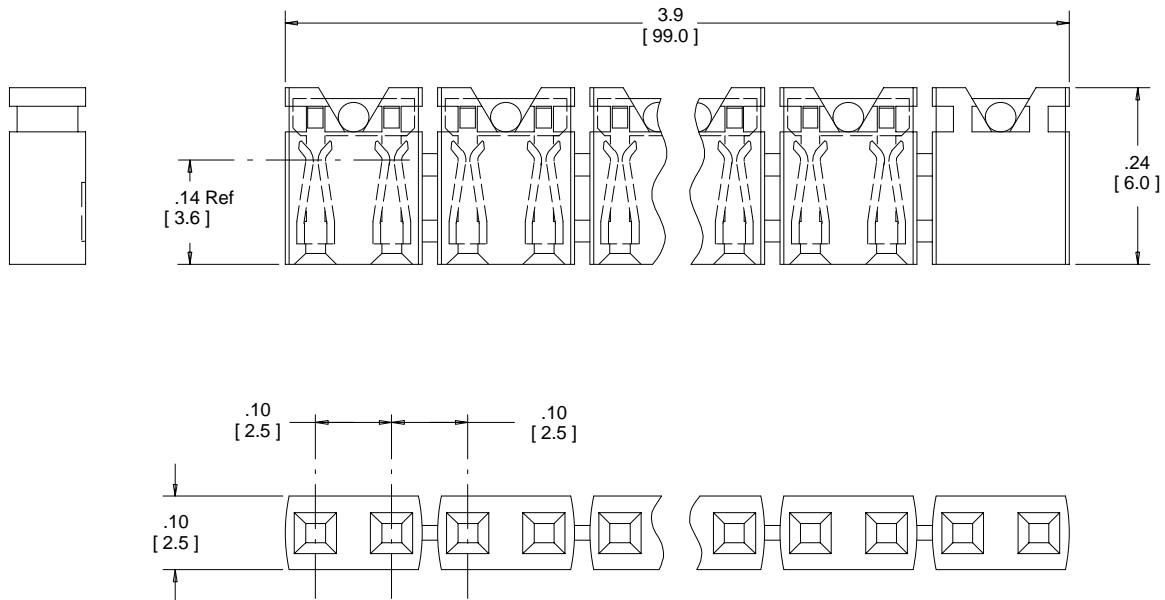
## Environmental

Temperature Rating:  $-55^\circ\text{C}$  to  $+105^\circ\text{C}$



# .100" Shunt

929 Series



**Notes:**

1. Comes in a breakable strip of 20 Shunts.
2. Mates with a .025" Square Pin.

**Inch**  
[mm]

Tolerance Unless Noted			
	.0	.00	.000
Inch	±.1	±.01	±.005

[ ] Dimensions for Reference only

## Ordering Information

**92995X-XX**

**Color / Plating**

- 1 - 00 RED / 75 μ" [ 1.90 μm ] tin
- 2 - 10 BLUE / 75 μ" [ 1.90 μm ] Nickel underplate, 10 μ" [ 0.25 μm ] GOLD in the wipe area.
- 3 - 30 GRAY / 75 μ" [ 1.90 μm ] Nickel underplate, 30 μ" [ 0.76 μm ] GOLD in the wipe area.

TS-0528-04  
Sheet 2 of 2