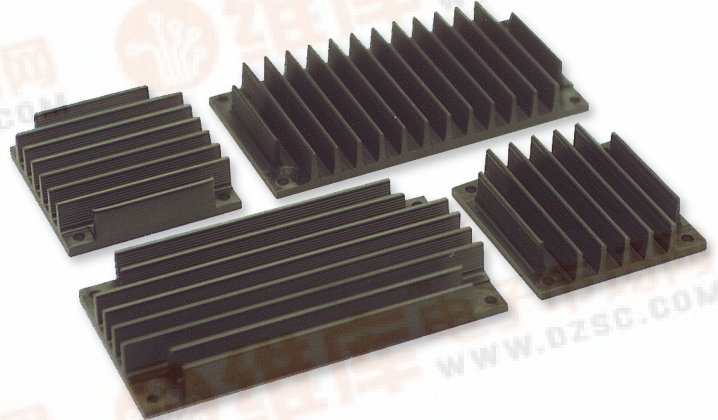


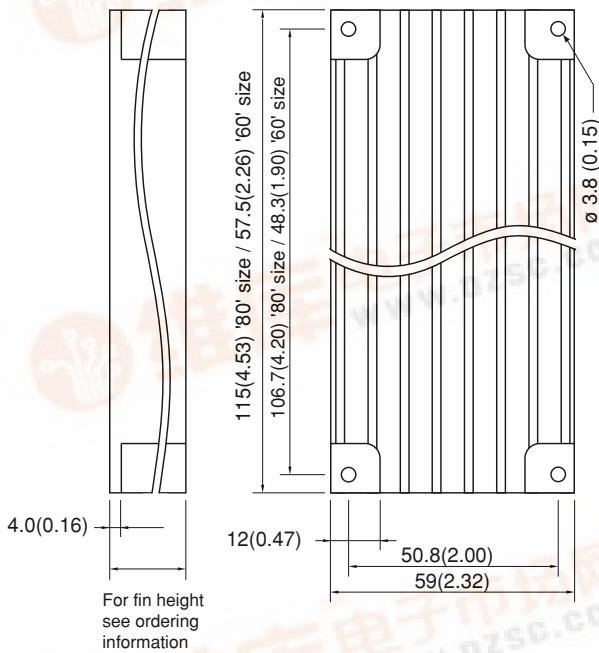
Heatsinks and Accessories

Heatsinks and Accessories
For AMPSS® 80 and 60 size
modules
Horizontal or Vertical orientation

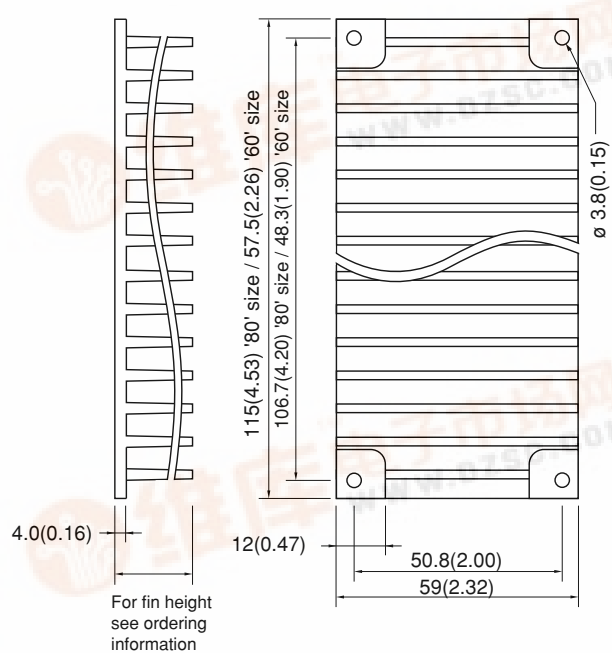


DIMENSIONS

Vertical Fins



Horizontal Fins



ASIA
 6F., China Dyeing Works Building
 382-392 Castle Peak Road
 Tsuen Wan, N.T., Hong Kong
 Telephone: 852-2437-9662
 Facsimile: 852-2402-4426

EUROPE
 Astec House, Waterfront Business Park
 Merry Hill, Dudley
 West Midlands, DY5 1LX, UK
 Telephone: 01384-842211
 Facsimile: 01384-843355

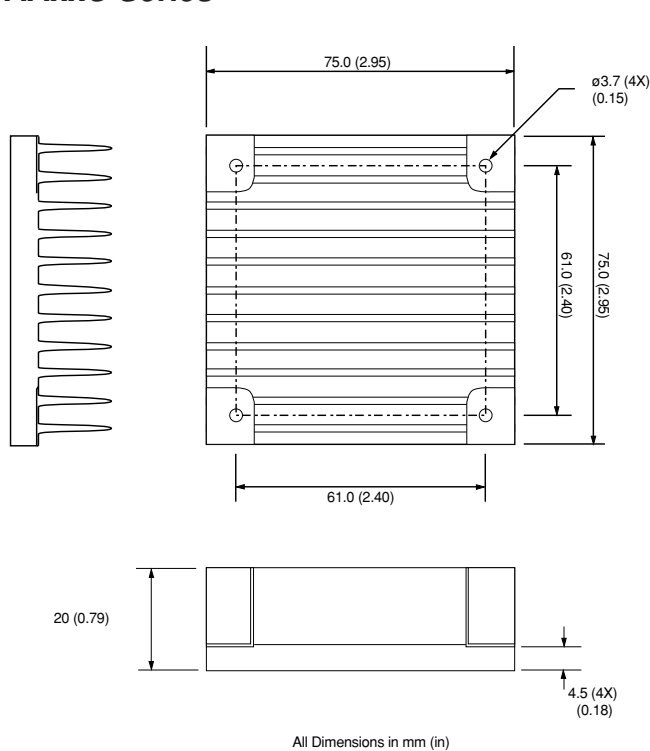
AMERICAS
 5810 Van Allen Way
 Carlsbad, CA 92008
 Telephone: 760-930-4600
 Facsimile: 760-930-0698



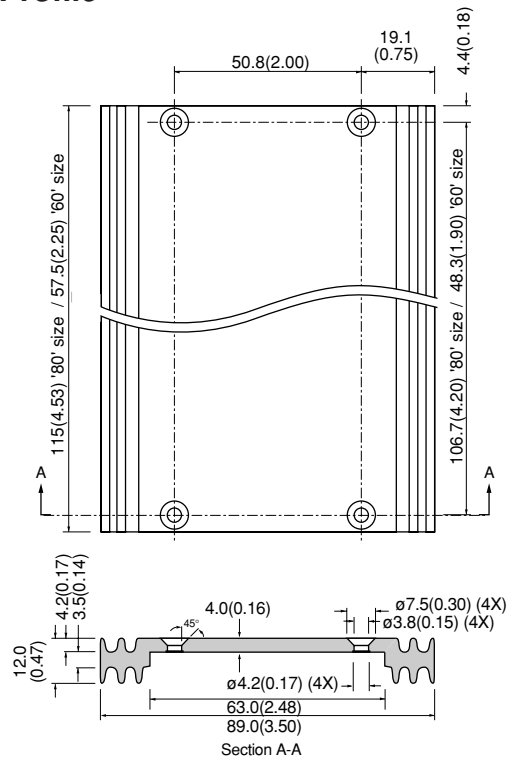
ORDERING INFORMATION

Description thermal	Model Number	Dimensions (inches)	(mm)	Free air resistance
Heatsink, 80 size vert	APA501-80-001	4.53x2.32x0.6	115x59x15	2.7°C/W
Heatsink, 80 size horz	APA501-80-002			2.4°C/W
Heatsink, 80 size vert	APA501-80-003	4.53x2.32x0.9	115x59x22.5	2.2°C/W
Heatsink, 80 size horz	APA501-80-004			2.0°C/W
Heatsink, 80 size vert	APA501-80-005	4.53x2.32x1.5	115x59x37	2.0°C/W
Heatsink, 80 size horz	APA501-80-006			1.7°C/W
Heatsink, 80 low prof	APA501-80-007	4.55x3.50x0.5	115.6x89x12	2.2°C/W
<hr/>				
Heatsink, 60 size vert	APA501-60-001	2.26x2.32x0.6	57.5x59x15	3.8°C/W
Heatsink, 60 size horz	APA501-60-002			3.9°C/W
Heatsink, 60 size vert	APA501-60-003	2.26x2.32x0.9	57.5x59x22.5	3.3°C/W
Heatsink, 60 size horz	APA501-60-004			3.7°C/W
Heatsink, 60 size vert	APA501-60-005	2.26x2.32x1.5	57.5x59x37	2.8°C/W
Heatsink, 60 size horz	APA501-60-006			2.8°C/W
Heatsink, 60 low prof	APA501-60-007	2.25x3.5x0.5	57.2x89x12	3.6°C/W
<hr/>				
Heatsink, AAxxC	APA501-00-001	2.95x2.95x0.79	75.0x75.0x20	3.5°C/W

AAxxC Series



Low Profile



Heatsinks & Accessories